

Damper Actuator Standard 10 Nm 2 Point and 3 Point Control



- NACA...10 (S1) Series
- The NENUTEC damper actuators are especially designed and produced for applications into the HVAC market.
- Our wide range of NENUTEC actuators have been developed to operate air dampers in different sizes and as well ball valves.

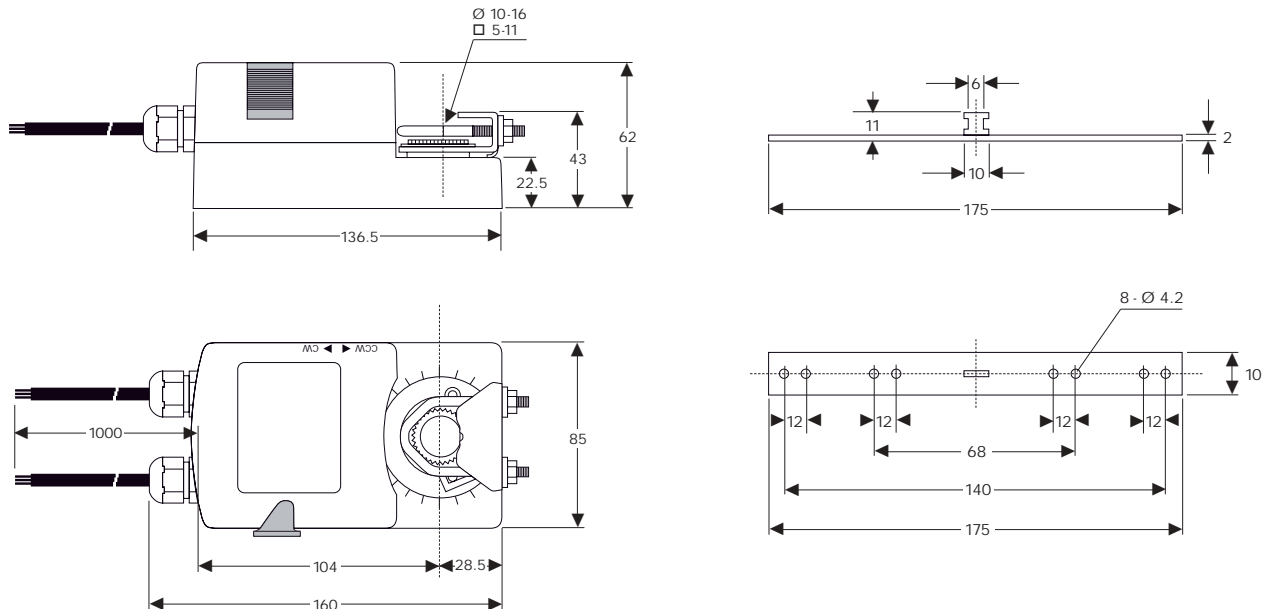
Product Features

- Torque 10 Nm
- For damper size ca. 2.0 m²
- Nominal voltage AC/DC 24 V and AC 230 V
- Control 2 point and 3 point
- 1 adjustable auxiliary switch (SPDT)
- Shaft dimension Ø 10...16 mm / 5...11 mm □ square
- Minimum shaft length 40 mm
- Selectable direction of rotation
- Adjustable angle of rotation
- Actuator available with 1 m cable connection
- Customised version on request

Model Selection Table

Torque	Running Time	Power Supply	Auxiliary Switches	Model/Type
10 Nm	90...120 sec	AC/DC 24 V	No	NACA 1-10
10 Nm		AC/DC 24 V	1 x SPDT	NACA 1-10S1
10 Nm	90...120 sec	AC/DC 230 V	No	NACA 2-10
10 Nm		AC/DC 230 V	1 x SPDT	NACA 2-10S1

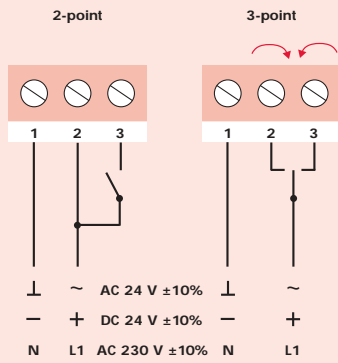
Actuator Dimensions (mm)



Technical Specification

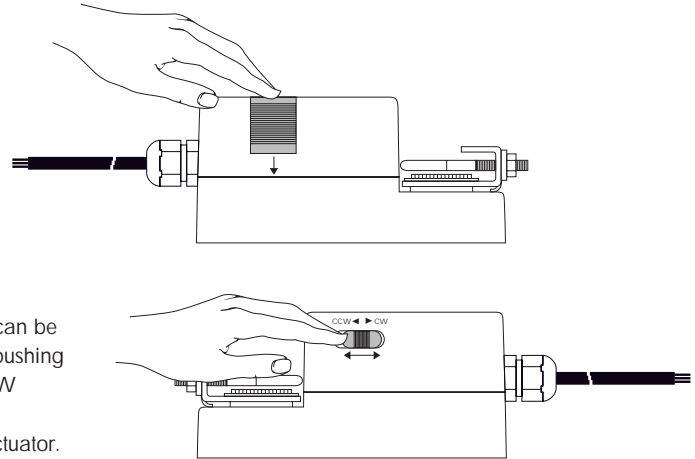
	NACA1...(S1)	NACA2...(S1)
Torque	10 Nm	10 Nm
Damper Size	2.0 m ²	2.0 m ²
Power Supply	AC/DC 24 V \pm 10%	AC 230 V \pm 10%
Frequency	50-60 Hz	50-60 Hz
Power Consumption		
- Operating	6.0 W	6.0 W
- At the end Stops	2.0 W	4.0 W
For Wire Sizing	6.5 VA	6.5 VA
Auxiliary Switch Rating	3(1.5) A, AC 230 V	3(1.5) A, AC 230 V
Protection Class	II	II
Control Signals	2 point and 3 point	2 point and 3 point
Angle of Rotation	90° (93° mechanical)	90° (93° mechanical)
Angle Limiting	0°...30° and 60°...90°	0°...30° and 60°...90°
Weight Approx.	0.95 kg	1.0 kg
Life Cycle	60,000 rotation	60,000 rotation
Sound Level Approx.	max. 40 dB(A)	max. 40 dB(A)
IP Protection	IP54	IP54
Ambient Temperature	-10°...+55°C / IEC 721-3-3	-10°...+55°C / IEC 721-3-3
Inventory Temperature	-30°...+60°C / IEC 721-3-2	-30°...+60°C / IEC 721-3-2
Ambient Humidity	5...95% rH non condensing	5...95% rH non condensing
Maintenance	maintenance free	maintenance free
Impact	Typ I / EN 60730-1	Typ I / EN 60730-1
Standardize	89/336/CE	89/336/CE

Wiring diagram NACA1/2...



ON 0° → 90°
 OFF 0° → 90°

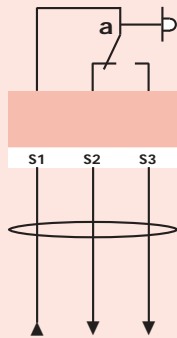
Changing direction of rotation NACA1/2... (S1)



The rotation can be reversed by pushing the CCW/CW switch on the housing of actuator.

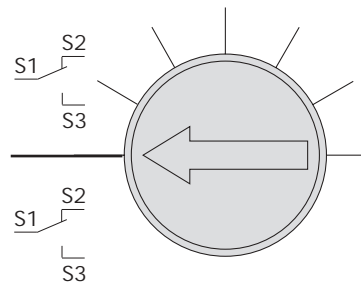
⚠ 24 VAC/DC: Connect via safety isolating transformer.
 230 VAC: To isolate from the main power supply, the system must incorporate a device which disconnects the phase conductors (with at least a 3 mm contact gap).

Auxiliary switches NACA1/2... (S1)



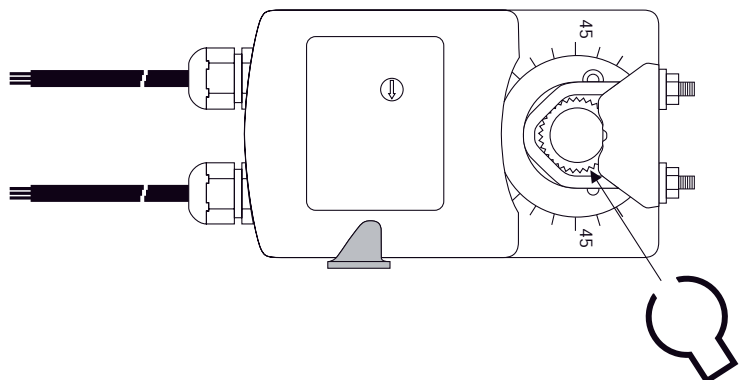
3 (1.5) Amp AC 230 V
 Actuator at 0° position

Auxiliary switch adjustment NACA1/2... (S1)



Built-in Microswitch Adjustment (for NACA...).
 Move the screw of the microswitch.

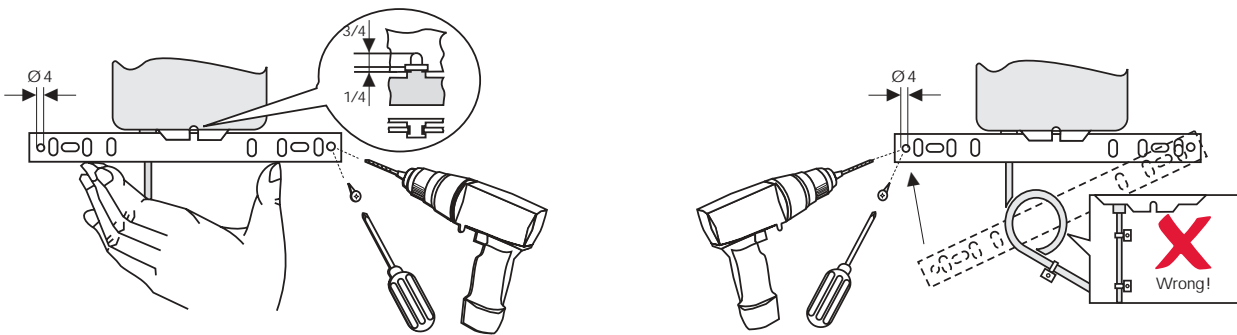
Limiting angle of rotation NACA1/2... (S1)



OEM – customized version

TELIMA/NENUTEC offer you as well actuators in a customized version on request in your own brandname. Please contact us for further more detail information.

Installation / Mounting



Important Remark

The NENUTEC NACA...(S1) actuator series can be equipped with a variety of NENUTEC products as characterized 2-way und 3-way ball valves of NVCB... series.
Consult NENUTEC representatives or factory for the specific requirements and material selection for your intended application.



This position transmitter includes electrical and electronic components and may not be disposed as household garbage. Please consider the locally valid legislation.

Headquarter:



TELIMA AG

Schachenstrasse 80
CH-8645 Jona / Switzerland
Phone +41 55 224 40 60
Fax +41 55 224 40 69
e-mail: info@telima.ch
www.nenutec.com

For Asia / Pacific:

NENUTEC®

NENUTEC ASIA PACIFIC
32 Upper Serangoon View
15-42 Singapore 534 209
Phone +65 6489 1815
Fax +65 6489 1816
e-mail: nenutec@singnet.com.sg