



- NENUTEC is proud to offer the 20 Nm damper actuator of the NACA... 20 (S) Series designed specifically application into the HVAC market.
- NENUTEC high quality damper actuators have been designed for use with air damper, butterfly valve, characterized ball valve and globe valve with the use of special adapter

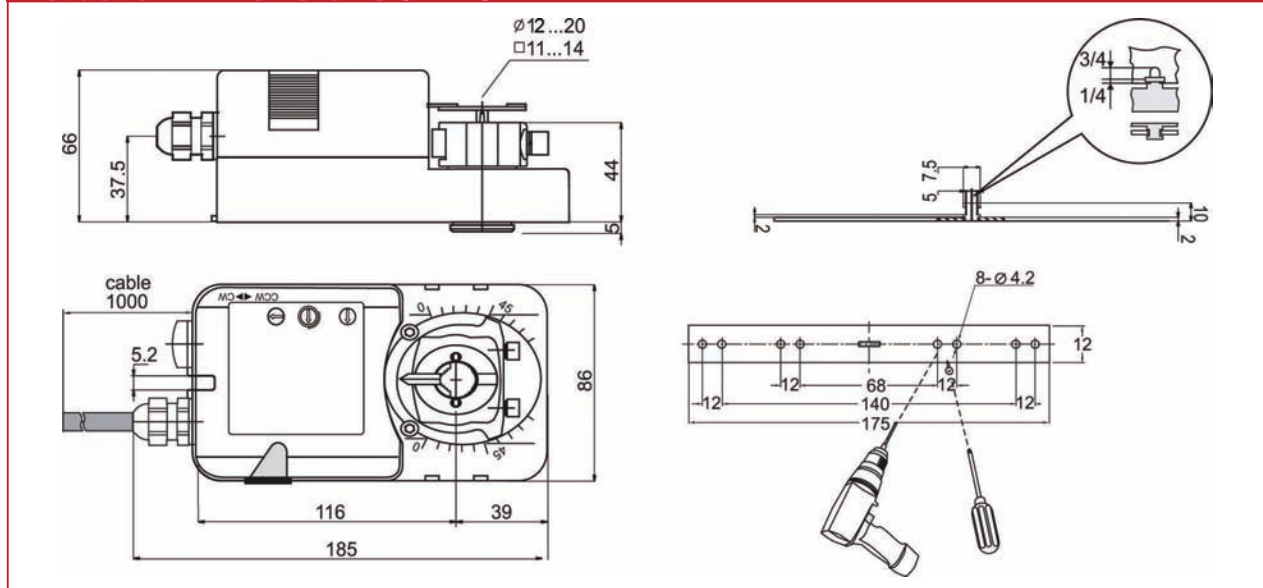
## Product Features

- For Air control dampers up to approx. 4 m<sup>2</sup>
- Torque 20 Nm
- Nominal Voltage AC/DC 24V and AC 230V
- Universal Adapter Ø12...20 mm / 11...14 mm
- Manual Over-ride Push button when required.
- Selectable Direction of rotation CW/CCW
- 2 Adjustable SDPT Auxiliary switch when requested
- Actuator available with 1m Cable connection

## Model Selection Table

Torque	Running Time	Power Supply	Auxiliary Switches	Model/Type
20 Nm	70...120 sec	AC/DC 24V	No	NACA 1-20
			2 x SPDT	NACA 1-20S
20Nm	70...120 sec	AC 230V ±10%	No	NACA 2-20
			2 x SPDT	NACA 2-20S

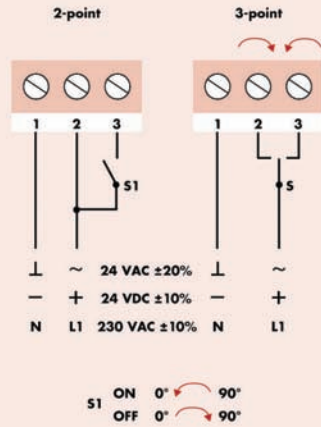
## Actuator Dimensions (mm)



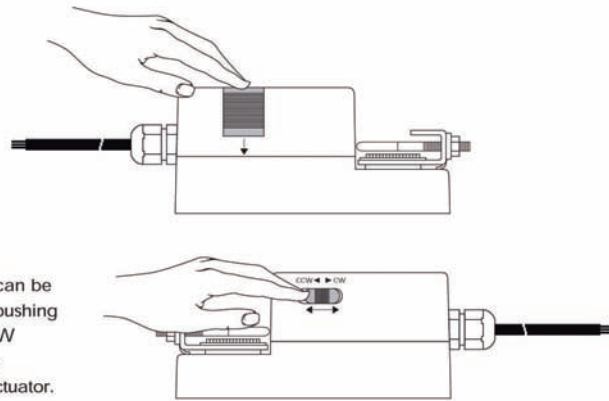
## Technical Specification

	NACA 1...20 (S)	NACA 2...20 (S)
Torque	20 Nm	20 Nm
Damper Size	4.0 m <sup>2</sup>	4.0 m <sup>2</sup>
Power Supply	AC/DC 24 V	AC 230V
Frequency	50...60Hz	50...60Hz
Power Consumption		
-Operating	8.0 W	8.0 W
-At the end stops	2.0 W	4.0 W
For wire sizing	8.0 VA	8.0 VA
Auxiliary Switches Rating (Amp and Voltage)	3 (1.5) A / 230 V (for 24 V and 230 V)	3 (1.5) A / 230 V (for 24 V and 230 V)
Protection Class	II (for 24 V and 230 V)	II (for 24 V and 230 V)
Controls Signal	2 Point and 3 Point	2 Point and 3 Point
Angle of Rotation	90° (95° mechanical)	90° (95° mechanical)
Angle of Limiting	5°...85° in 5° step	5°...85° in 5° step
Weight	1.2 Kg	1.2 Kg
Life Cycle	60,000 rotation	60,000 rotation
Sound Level	Below 45 dB	Below 45 dB
IP Protection	IP54	IP54
Ambient Temperature	-20°...50° as per IEC 721-3-3	-20°...50° as per IEC 721-3-3
Ambient Humidity	5...95% RH	5...95% RH
Inventory Temperature	+70° as per 721-3-2	+70° as per 721-3-2
Maintenance	Maintenance free	Maintenance free
Certification	CE and ISO 9000 EN / EEC... Requirements	CE and ISO 9000 EN / EEC ... Requirements

### Wiring diagram



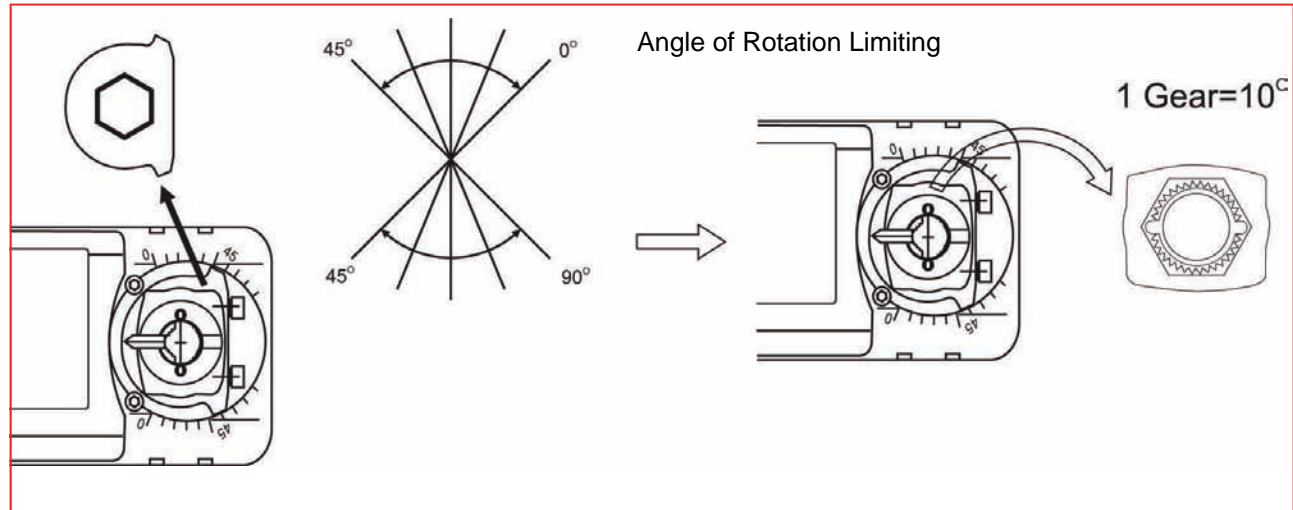
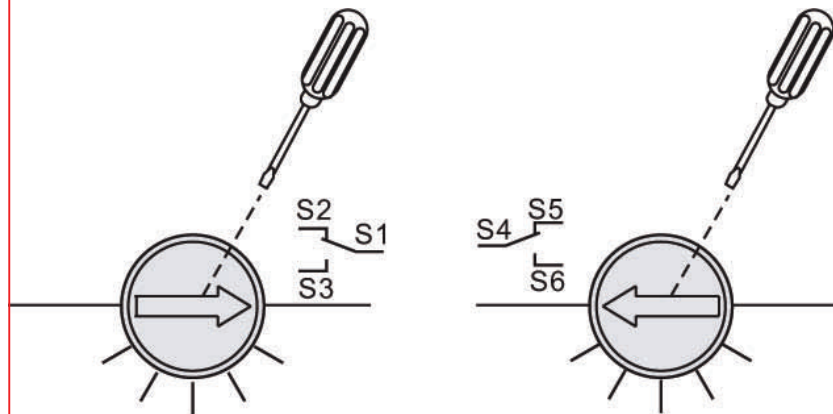
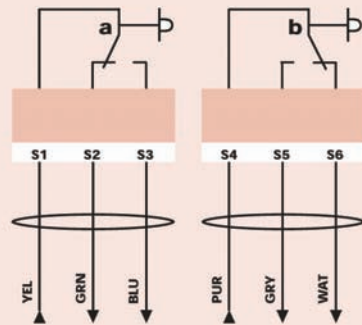
### Changing direction of rotation NACA 1/2... (S)



The rotation can be reversed by pushing the CCW/CW switch on the housing of actuator.

⚠ 24 VAC/DC: Connect via safety isolating transformer.  
230 VAC: To isolate from the main power supply, the system must incorporate a device which disconnects the phase conductors (with at least a 3 mm contact gap).

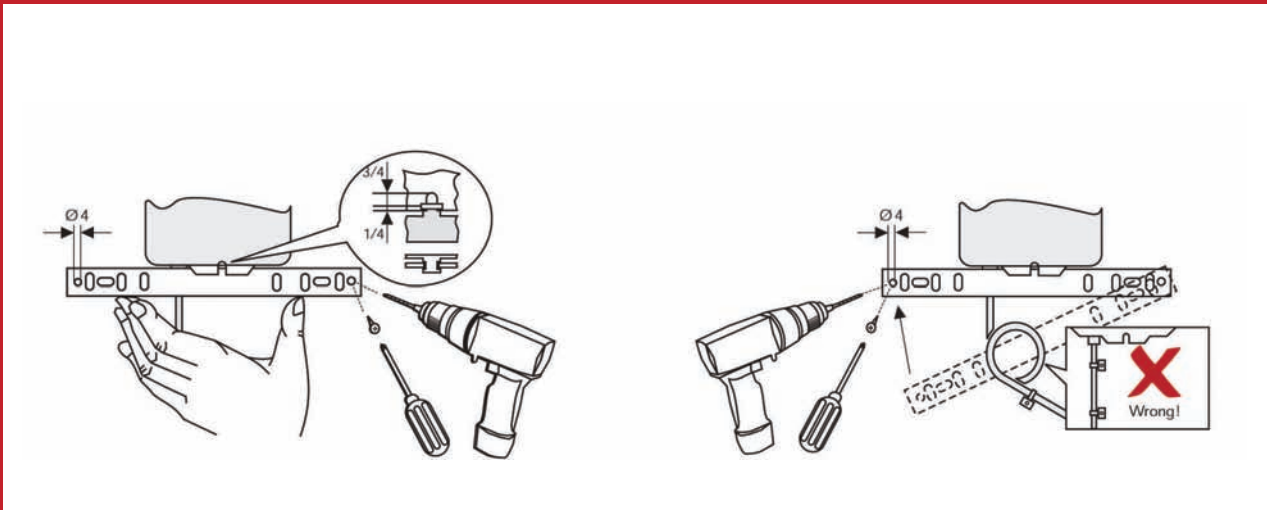
### Auxiliary Switches



## OEM—Customized Version

TELIMA / NENUTEC offer actuators in customized version on request in your own brand name. Please contact us for further information.

## Installation / Mounting Instruction



## Remarks

NENUTEC NACA/NACM..20(S) actuator series can be equipped with a variety of NENUTEC products. Characterized Ball Valves NVCB...Series and Butterfly valves series. Consult NENUTEC representative or factory for specific requirements and material selection for your intended application.



This device contains electrical and electronic components and may not be disposed of as household garbage. Please consult your local authority for proper disposal.

### Europe:



TELIMA AG

Schachenstrasse 80  
CH-8645 Jona / Switzerland  
Phone +41 55 212 40 60  
Fax +41 55 212 40 69  
Email: info@telima.ch  
Http://www.nenutec.com

### Asia Pacific / Middle East

NENUTEC®

NENUTEC ASIA PACIFIC PTE LTD  
780 Upper Serangoon Rd  
#02-05 Choon Kim House  
Singapore 534 649  
Email: info@nenutec.com.sg  
Http://www.nenutec.com.sg