

- NENUTEC is proud to offer the 32 Nm damper actuator of the NACA... 32 (S) Series designed specifically application into the HVAC market.
- NENUTEC high quality damper actuators have been designed for use with air damper, butterfly valve, characterized ball valve and globe valve with the use of special adapter

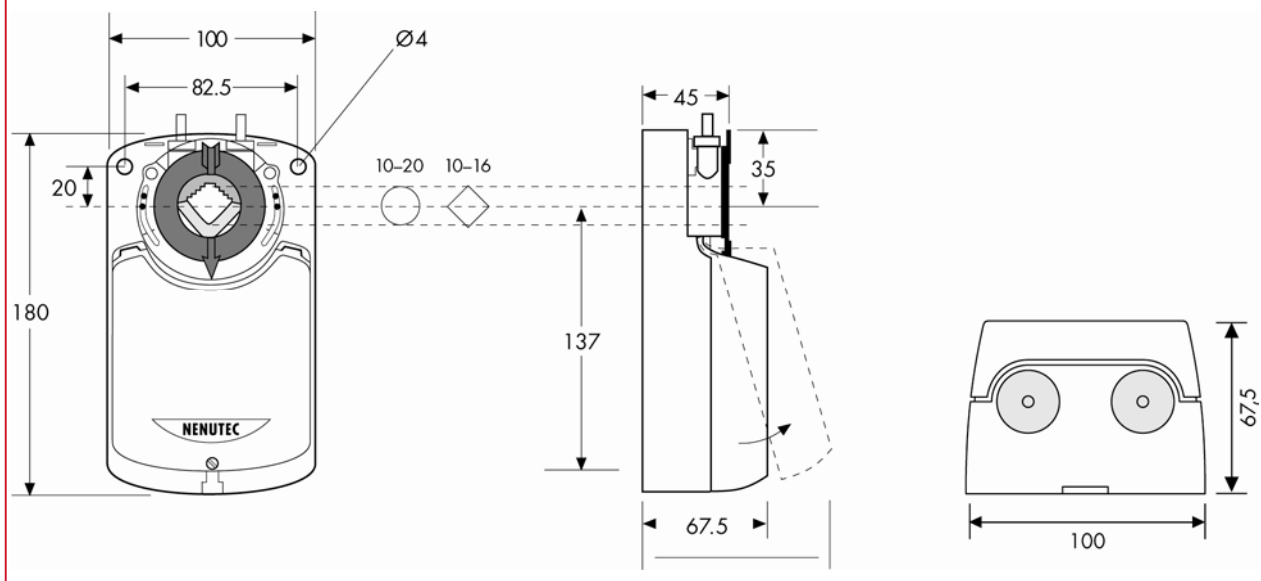
Product Features

- 2 points and 3 points control
- Universal Spindle Clamp for easy direct mounting
- Shaft dimension Ø10...20 mm /10...16 mm square
- Anti-rotation bracket provided for stability
- Manual over ride by push button when required
- Adjustable angle of rotation
- Selectable direction of rotation
- Parallel connection up to 5 actuators
- 2 adjustable SPDT auxiliary switches when requested
- Power saving at end stops
- Actuators available with 1m cable on request
- Customised version available, on request

Model Selection Table

Torque	Running Time	Power Supply	Auxiliary Switches	Model/Type
32 Nm	140...160 sec	AC/DC 24V	No	NACA 1-32
			2 x SPDT	NACA 1-32S
32Nm	140...160 sec	AC 230V ±10%	No	NACA 2-32
			2 x SPDT	NACA 2-32S

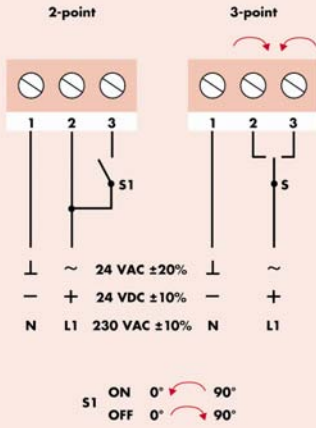
Actuator Dimensions (mm)



Technical Specification

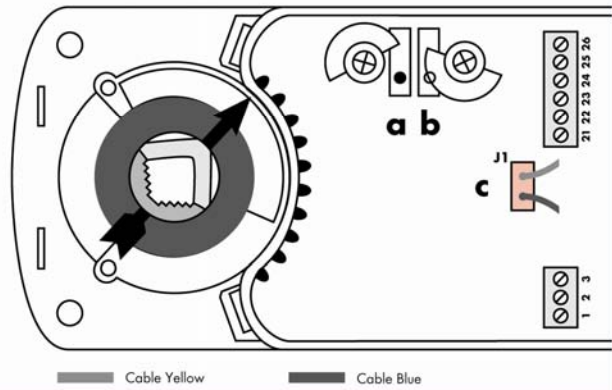
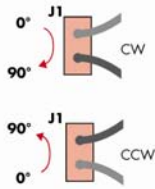
	NACA 1-32 (S)	NACA 2-32 (S)
Torque	32 Nm	32 Nm
Damper Size	6 m ²	6 m ²
Power Supply	AC/DC 24 V	AC 230V
Frequency	50...60Hz	50...60Hz
Power Consumption		
-Operating	3.9 W	4.8 W
-At the end stops	0.4 W	1.2 W
For wire sizing	6.5 VA	6.5 VA
Auxiliary Switches Rating (Amp and Voltage)	3 A / 230 V (for 24 V and 230 V)	3 A / 230 V (for 24 V and 230 V)
Protection Class	II (for 24 V and 230 V)	II (for 24 V and 230 V)
Controls Signal	2 Point and 3 Point	2 Point and 3 Point
Angle of Rotation	90° (93° mechanical)	90° (93° mechanical)
Angle of Limiting	5°...85° in 5° step	5°...85° in 5° step
Weight	1.2 Kg	1.2 Kg
Life Cycle	60,000 rotation	60,000 rotation
Sound Level	Below 45 dB	Below 45 dB
IP Protection	IP 44 or IP55 cable glands	IP 44 or IP55 cable glands
Ambient Temperature	-20°...50° as per IEC 721-3-3	-20°...50° as per IEC 721-3-3
Ambient Humidity	5...95% RH	5...95% RH
Inventory Temperature	+70° as per 721-3-2	+70° as per 721-3-2
Maintenance	Maintenance free	Maintenance free
Certification	CE and ISO 9000 EN... Requirements	CE and ISO 9000 EN... Requirements

Wiring diagram

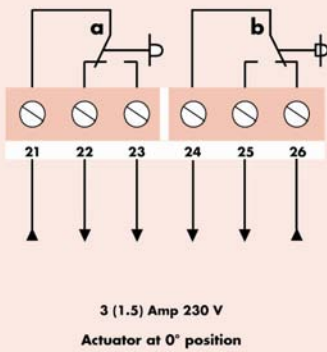


Changing direction of rotation

The direction of rotation can be changed by reversing plug **c**
 Factory setting



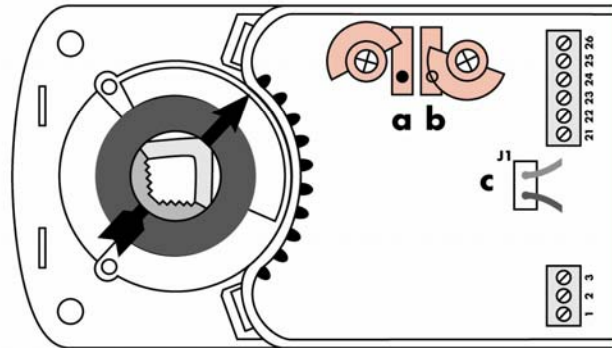
Auxiliary switches (S)



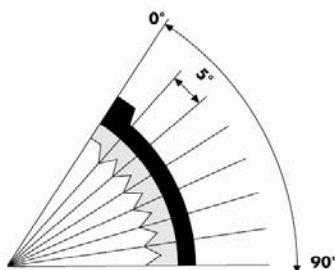
Auxiliary switch adjustment

Factory setting
 Switch **a** at 10°
 Switch **b** at 80°

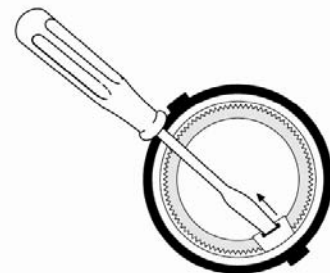
The switching position can be manually changed to any required position by turning the ratchet.



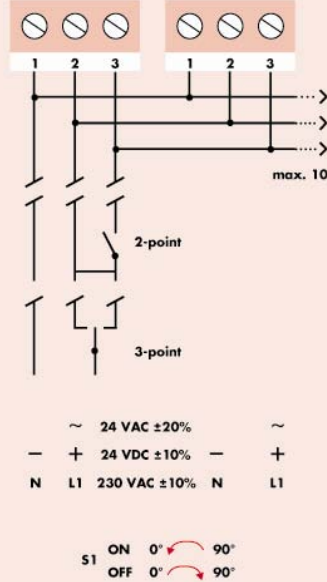
Angle-of-rotation limiting



Releasing the adapter



Parallel connection



Parallel Connection

Parallel Connection 2 Point and 3 Point control can be applicable up to 10 actuators

Important Remark

The NENUTEC NACA/NACM..32(S) actuator series can be equipped with a variety of NENUTEC products. Characterized Ball Valves NVCB...Series, Butterfly valves series and Globe valve series. Consult NENUTEC representative or factory for specific requirements and material selection for your intended application.

Headquarter:



TELIMA AG

Schachenstrasse 80
 CH-8645 Jona / Switzerland
 Phone +41 55 212 40 60
 Fax +41 55 212 40 69
 Email: info@telima.ch
 Http://www.nenutec.com

Asia Pacific / Middle East



NENUTEC ASIA PACIFIC PTE LTD
 32 Upper Serangoon View
 #15-42 Singapore 534 209
 Tel: (65) 6489 1815
 Fax: (65) 6489 1816
 Email: info@nenutecap.com
 Http://www.nenutecap.com