

Damper Actuator Standard 10 Nm Modulating Control



- NACM...10 (S1) Series
- The NENUTEC damper actuators are especially designed and produced for applications into the HVAC market.
- Our wide range of NENUTEC actuators have been developed to operate air dampers in different sizes, NPG-1 and as well ball valves.

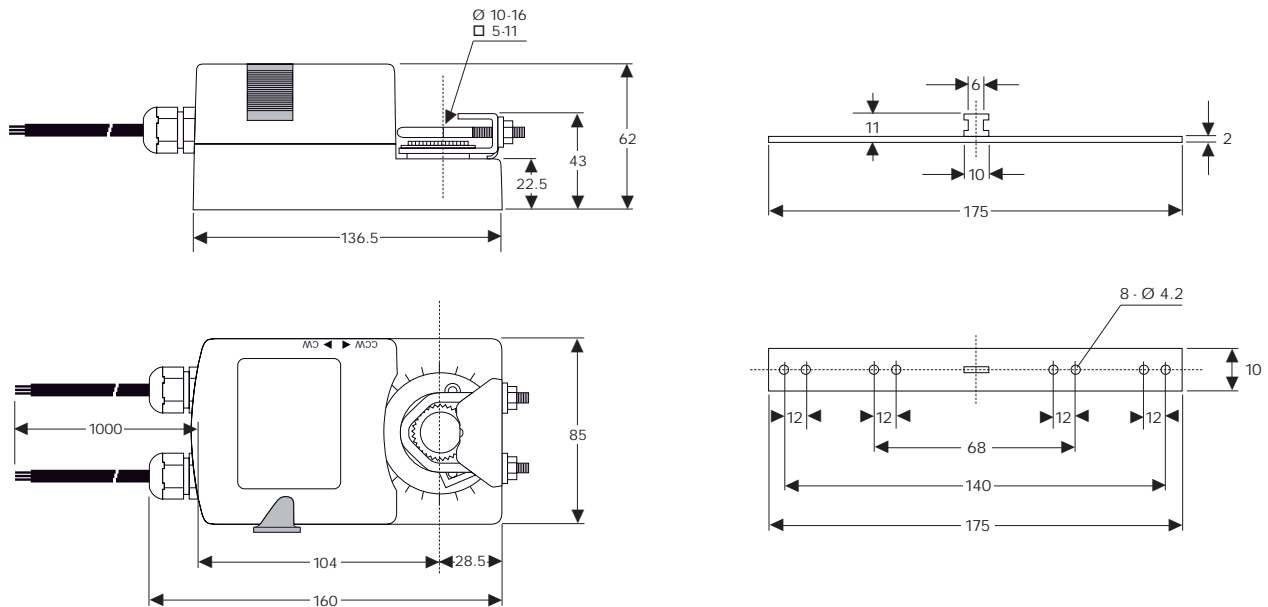
Product Features

- Torque 10 Nm
- For damper size ca. 2.0 m²
- Nominal voltage AC/DC 24 V
- Modulating Control
- 1 adjustable auxiliary switch (SPDT)
- Shaft dimension Ø 10...16 mm / 5...11 mm □ square
- Minimum shaft length 40 mm
- Selectable direction of rotation
- Adjustable angle of rotation
- Actuator available with 1 m cable connection
- Customised version on request

Model Selection Table

Torque	Running Time	Power Supply	Auxiliary Switches	Model/Type
10 Nm	100...150 sec	AC/DC 24 V	No	NACM 1.1-10
10 Nm		AC/DC 24 V	1 x SPDT	NACM 1.1-10S1

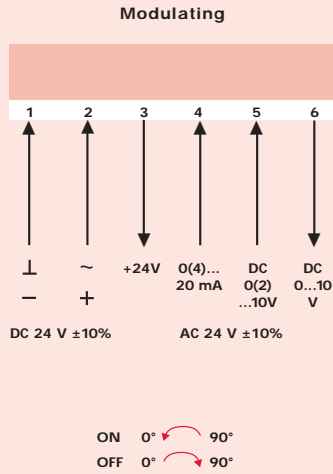
Actuator Dimensions (mm)



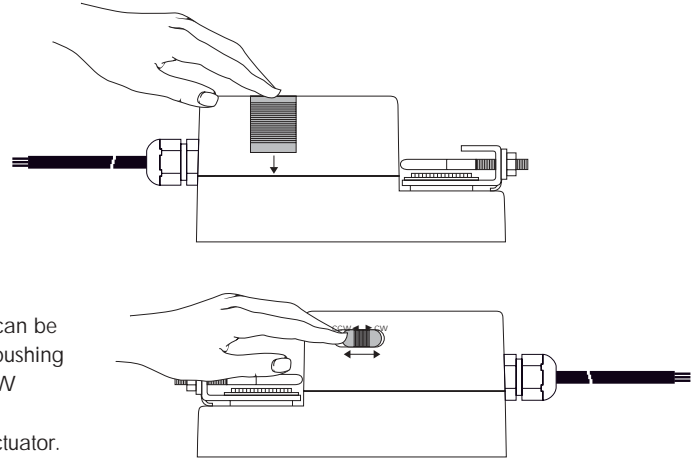
Technical Specification

	NACM1...(S1)
Torque	10 Nm
Damper Size	2.0 m ²
Power Supply	AC/DC 24 V $\pm 10\%$
Frequency	50-60 Hz
Power Consumption	
- Operating	6.0 W
- At the end Stops	2.0 W
For Wire Sizing	6.5 VA
Auxiliary Switch Rating	3(1.5) A, AC 230 V
Protection Class	II
Input Control Signal 4/5	0(4)...20 mA or DC0(2)...10 V
Input Control Signal 6	DC0...10 V
Angle of Rotation	90° (93° mechanical)
Angle Limiting	0°...30° and 60°...90°
Weight Approx.	0.95 kg
Life Cycle	60,000 rotation
Sound Level Approx.	max. 40 dB(A)
IP Protection	IP54
Ambient Temperature	-10°...+55°C / IEC 721-3-3
Inventory Temperature	-30°...+60°C / IEC 721-3-2
Ambient Humidity	5...95% rH non condensing
Maintenance	maintenance free
Impact	Typ I / EN 60730-1
Standardize	89/336/CE

Wiring diagram NACM1.1... (S1)

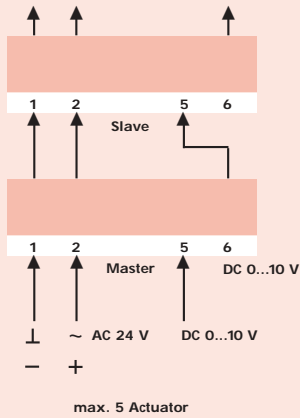


Changing direction of rotation NACM1.1... (S1)



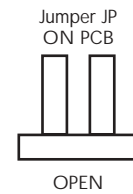
⚠ 24 VAC/DC: Connect via safety isolating transformer.

Parallel connection NACM1.1... (S1)

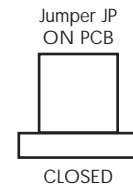


Adjusting control signals NACM1.1... (S1)

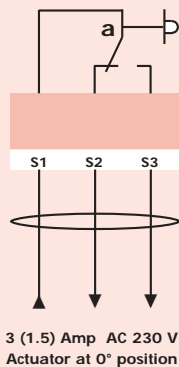
Control Signal 5 DC 0...10 V
Input Resistance Ri 100 k Ohm
Factory default setting



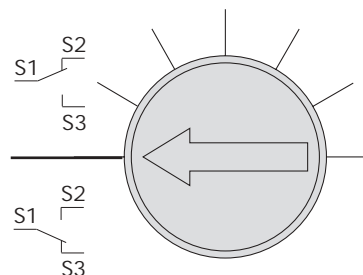
Control Signal 5 DC 2...10 V
Input Resistance Ri 500 Ohm
On request



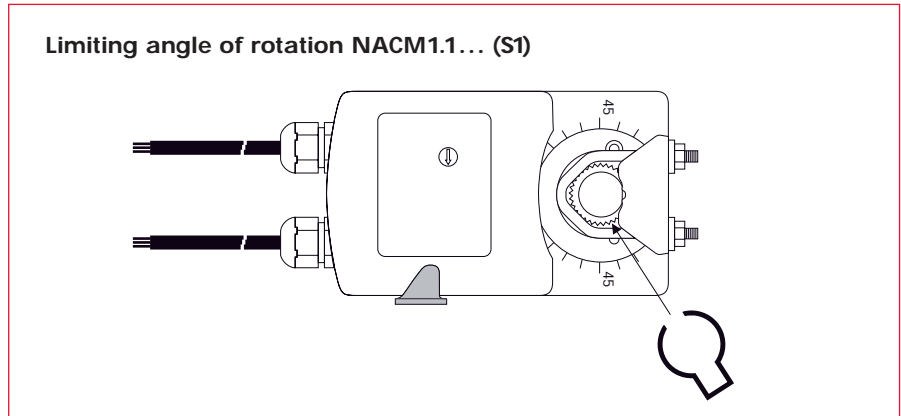
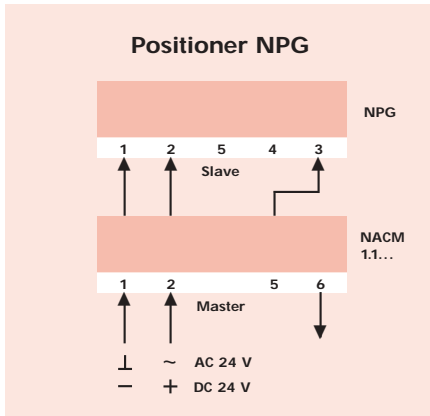
Auxiliary switches NACM1.1... (S1)



Auxiliary switch adjustment NACM1.1... (S1)



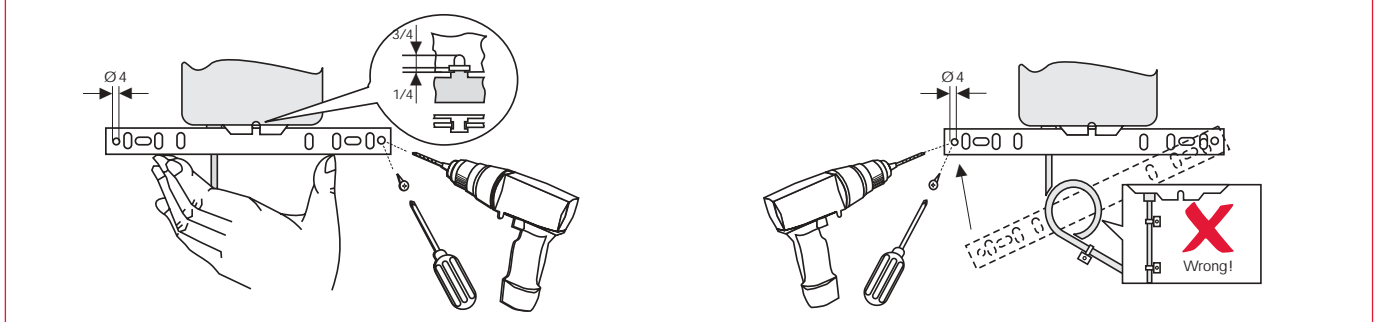
Built-in Microswitch Adjustment (for NACM...)
Move the screw of the microswitch.



OEM – customized version

TELIMA/NENUTEC offer you as well actuators in a customized version on request in your own brandname. Please contact us for further more detail information.

Installation / Mounting



Important Remark

The NENUTEC NACM...(S1) actuator series can be equipped with a variety of NENUTEC products characterized 2-way und 3-way ball valves of NVCB... series and NPG-1 position transmitter accessories. Consult NENUTEC representatives or factory for the specific requirements and material selection for your intended application.

This position transmitter includes electrical and electronic components and may not be disposed as household garbage. Please consider the locally valid legislation.

Headquarter:

TELIMA AG
Schachenstrasse 80
CH-8645 Jona / Switzerland
Phone +41 55 224 40 60
Fax +41 55 224 40 69
e-mail: info@telima.ch
www.nenutec.com

For Asia / Pacific:

NENUTEC
NENUTEC ASIA PACIFIC
32 Upper Serangoon View
15-42 Singapore 534 209
Phone +65 6489 1815
Fax +65 6489 1816
e-mail: nenutec@singnet.com.sg

