

Rotary Damper Actuator Modulating Control



■ NENUTEC is proud to offer the 02 and 05 Nm damper actuator of the NACM...02 / 05 Nm Series designed specifically applications into the HVAC market, or light Industrial market and telecommunication module.

■ NENUTEC high quality damper actuators have been designed for use with air damper, VAC, butterfly valve, characterized ball valve and globe valve with the use of special adapter.

Product Features

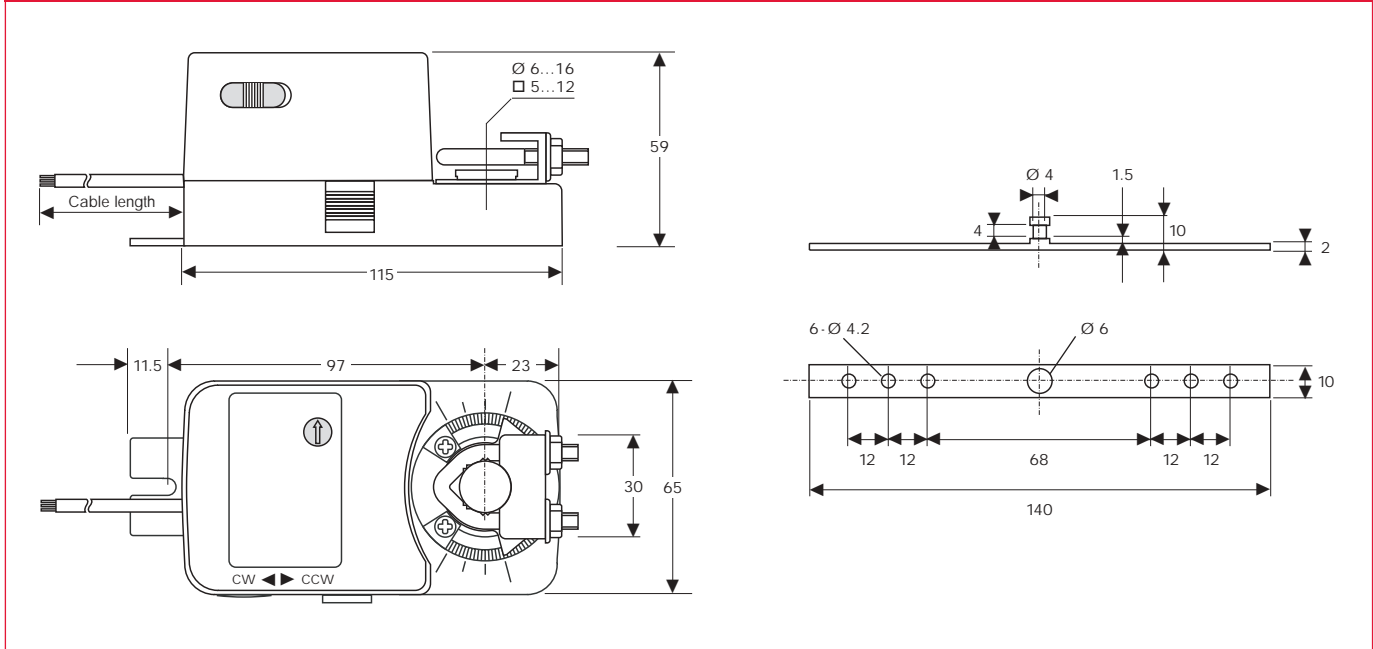
- For air control dampers up to approx. 1 m²
- Torque 2 Nm or 5 Nm
- Nominal voltage AC/DC 24 V
- Universal adapter for easy direct mounting
- Shaft dimension Ø 6...16 mm / 5...12 mm □ square
- 40 mm minimum shaft length
- Anti-rotation bracket provided for stability
- Manual over ride by push button when required
- Selectable direction of rotation CW/CCW
- Adjustable angle of rotation, mechanical end stops
- DC 0(2)...10 V Input Signal
- DC 0(2)...10 V Feedback Output Signal
- Actuators available with 1 m cable connection
- Customised version available, on request

Model Selection Table

Torque	Running Time	Power Supply	Auxiliary Switches	Model/Type
2 Nm	60...90 sec	AC/DC 24 V ±10%	No	NACM 1.2-02
5 Nm	70...100 sec	AC/DC 24 V ±10%	No	NACM 1.2-05

The performance specifications above are nominal and subject to tolerances and application variables of generally acceptable industry standards. NENUTEC shall not be liable for damages resulting from misapplication or misuse of its products.

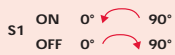
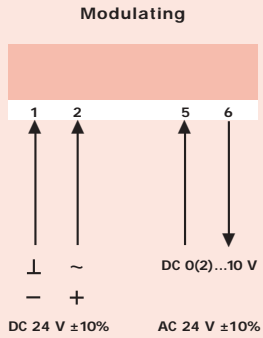
Actuator Dimensions (mm)



Technical Specification

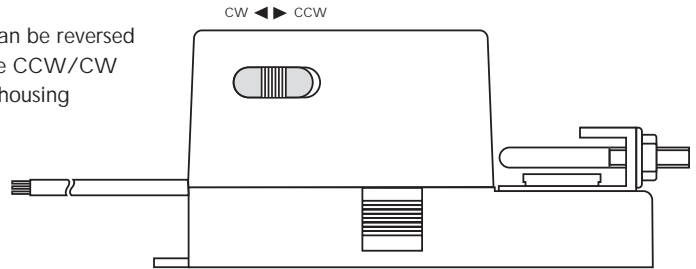
	NACM1.2...	NACM1.2...
Torque	2 Nm	5 Nm
Damper Size	0.4 m ²	1.0 m ²
Power Supply	AC/DC 24 V	AC/DC 24 V
Frequency	50-60 Hz	50-60 Hz
Power Consumption		
– Operating	2.0 W	2.0 W
– At the end stops	2.0 W	2.0 W
For wire sizing	4.0 VA	4.0 VA
Protection class	II	II
Input Control Signal 5	DC 0(2)...10 V	DC 0(2)...10 V
Output Control Signal 6	DC 0(2)...10 V	DC 0(2)...10 V
Angle of Rotation	90° (93° mechanical)	90° (93° mechanical)
Angle Limiting	Mechanical end stops	Mechanical end stops
Weight approx.	0.5 kg	0.5 kg
Life Cycle	60,000 rotation	60,000 rotation
Sound Level	Max. 40 dB(A)	Max. 40 dB(A)
IP Protection	IP54	IP54
Ambient Temperature	-20°...+50°C / IEC 721-3-3	-20°...+50°C / IEC 721-3-3
Inventory Temperature	-30°...+60°C / IEC 721-3-2	-30°...+60°C / IEC 721-3-2
Ambient Humidity	5...95% rH non condensing	5...95% rH non condensing
Maintenance	maintenance free	maintenance free
Impact	Typ I / EN 60730-1	Typ I / EN 60730-1
Standardize	89/336/CE	89/336/CE

Wiring diagram NACM1.1...



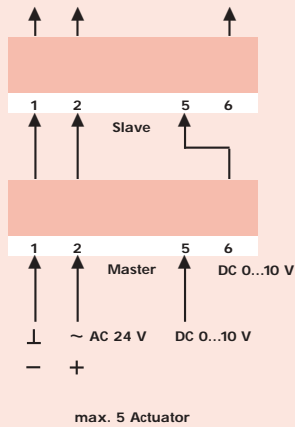
Changing direction of rotation

The rotation can be reversed by pushing the CCW/CW switch on the housing of actuator.



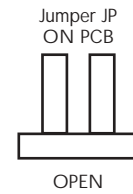
- ⚠ AC/DC 24 V: Connect via safety isolating transformer.
- ⚠ AC 230 V: To isolate from the main power supply, the system must incorporate a device which disconnects the phase conductors (with at least a 3 mm contact gap).

Parallel connections

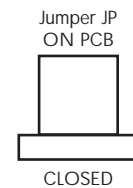


Adjusting control signals NACM1.1...

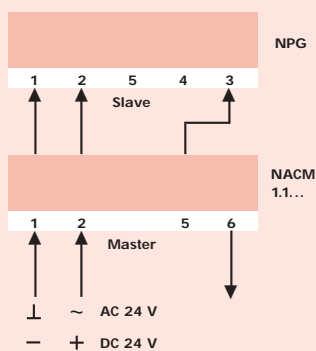
Control Signal 5 DC 0...10 V
 Input Resistance Ri 100 k Ohm
Factory default setting



Control Signal 5 DC 2...10 V
 Input Resistance Ri 500 Ohm
On request



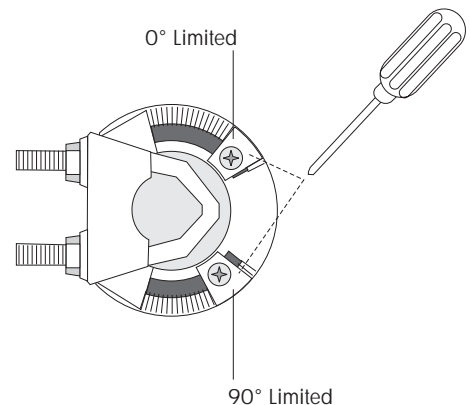
Positioner NPG



Angle-of-rotation limiting

Mechanical Limited Adjustment

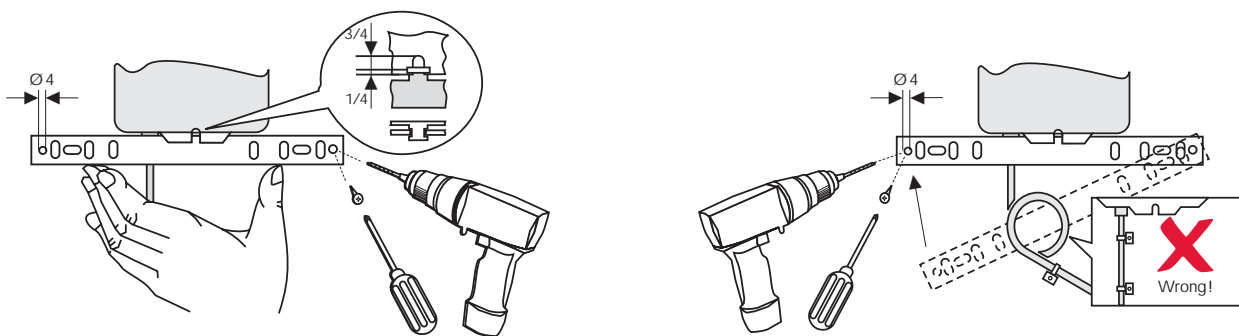
1. Loosen 2 screws of the mechanical limited.
2. Move the limited to the appropriate position.
3. Tighten on the 2 screws.



OEM – customized version

TELIMA/NENUTEC offer you as well actuators in a customized version on request in your own brandname. Please contact us for further more detail information.

Installation / Mounting



Important Remark

The NENUTEC NACA...(S1) / NACM... actuator series can be equipped with a variety of NENUTEC products, Characterized two-three-way Ball Valves the NVCB... series. NPG-1 position transmitter accessories.

Consult NENUTEC representatives or factory for the specific requirements and material selection for your intended application.

Headquarter:



TELIMA AG

Schachenstrasse 80
CH-8645 Jona / Switzerland
Phone +41 55 224 40 60
Fax +41 55 224 40 69
e-mail: info@telima.ch
www.nenutec.com

For Asia / Pacific:

NENUTEC®

NENUTEC ASIA PACIFIC
32 Upper Serangoon View
15-42 Singapore 534 209
Phone +65 6489 1815
Fax +65 6489 1816
e-mail: nenutec@singnet.com.sg