



- NENUTEC is proud to offer the 20 Nm damper actuator of the NACM... 20 (S) Series designed specifically application into the HVAC market.
- NENUTEC high quality damper actuators have been designed for use with air damper, butterfly valve, characterized ball valve and globe valve with the use of special adapter

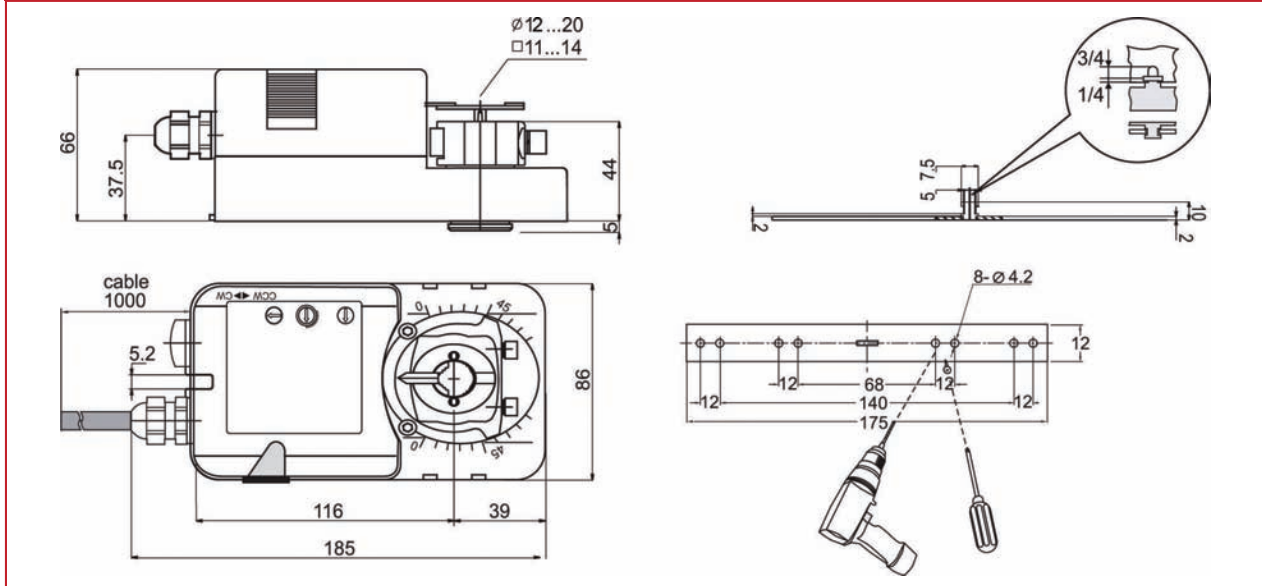
## Product Features

- For Air control dampers up to approx. 4 m<sup>2</sup>
- Torque 20 Nm
- Nominal Voltage AC/DC 24V and AC 230V
- Universal Adapter Ø12...20 mm / 11...14 mm
- Manual Over-ride Push button when required.
- Selectable Direction of rotation CW/CCW
- 2 Adjustable SDPT Auxiliary switch when requested
- Actuator available with 1m Cable connection

## Model Selection Table

Torque	Running Time	Power Supply	Auxiliary Switches	Model/Type
20 Nm	70...120 sec	AC/DC 24V	No	NACM 1.1-20
20Nm	70...120 sec	AC/DC 24V	2 x SPDT	NACM 1.1-20S

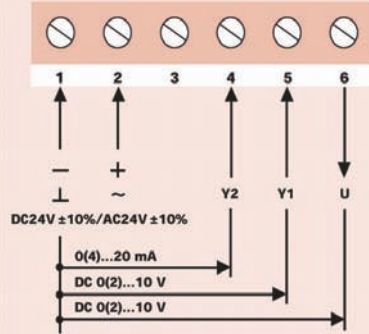
## Actuator Dimensions (mm)



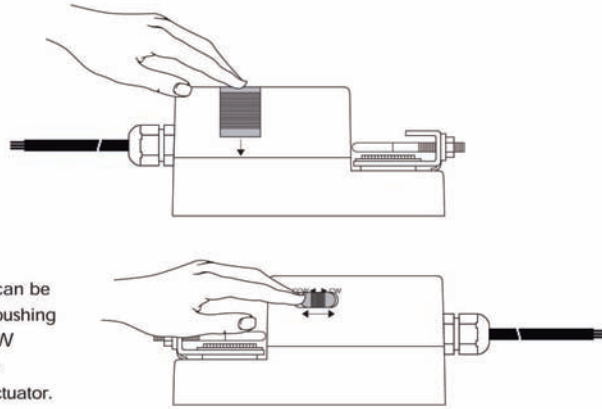
## Technical Specification

	NACM 1.1...20 (S)
Torque	20 Nm
Damper Size	4.0 m <sup>2</sup>
Power Supply	AC/DC 24 V
Frequency	50...60Hz
Power Consumption	
-Operating	8.0 W
-At the end stops	2.0 W
For wire sizing	8.0 VA
Auxiliary Switches Rating (Amp and Voltage)	3 (1.5) A / 230 V (for 24 V and 230 V)
Protection Class	II (for 24 V and 230 V)
Input Controls Signal 4/5	0(4)...20mA or DC0(2)...10V
Input Controls Signal 6	DC0(2)...10V
Angle of Rotation	90° (95° mechanical)
Angle of Limiting	5°...85° in 5° step
Weight	1.2 Kg
Life Cycle	60,000 rotation
Sound Level	Below 45 dB
IP Protection	IP54
Ambient Temperature	-20°...50° as per IEC 721-3-3
Ambient Humidity	5...95% RH
Inventory Temperature	+70° as per 721-3-2
Maintenance	Maintenance free
Certification	CE and ISO 9000 EN / EEC... Requirements

### Wiring diagram NACM1.1...(S) Power supply AC/DC 24 V

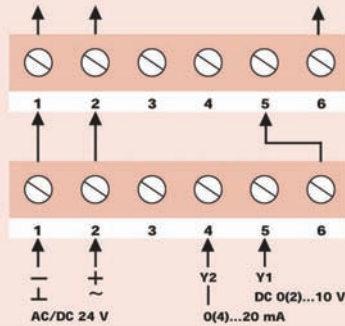


### Changing direction of rotation NACM1.1... (S1)



⚠ 24 VAC/DC: Connect via safety isolating transformer.

### Parallel connection

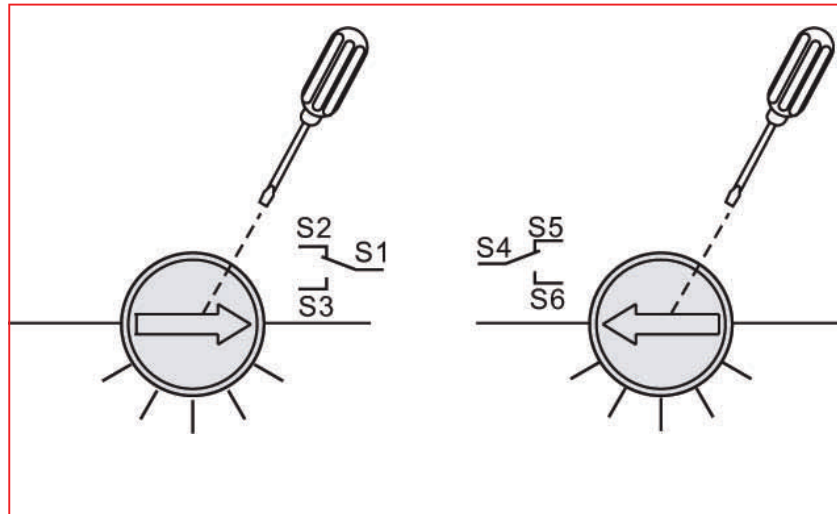
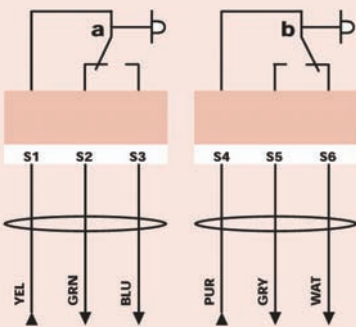


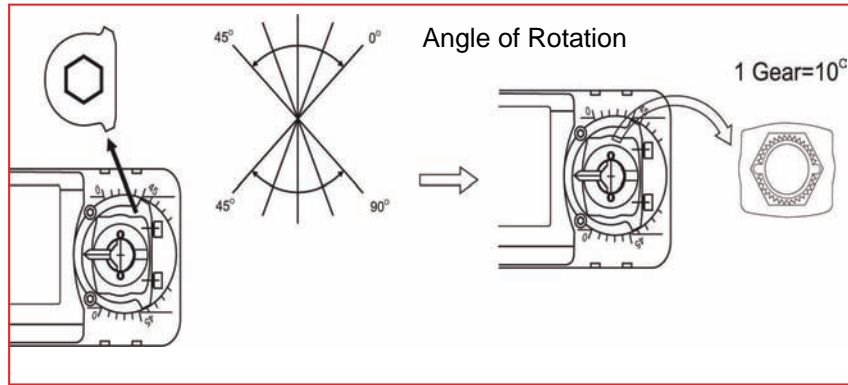
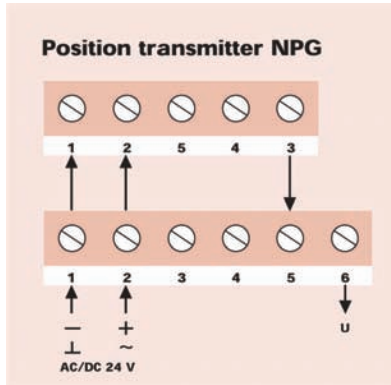
### Adjusting control signals NACM1.1... (S)

Control Signal5 DC 0...10V  
Input Resistance Ri100 k Ohm  
**Factory default setting**

Control Signal 5 DC 2...10V  
Input Resistance Ri 500 Ohm  
**On Request**

### Auxiliary Switches

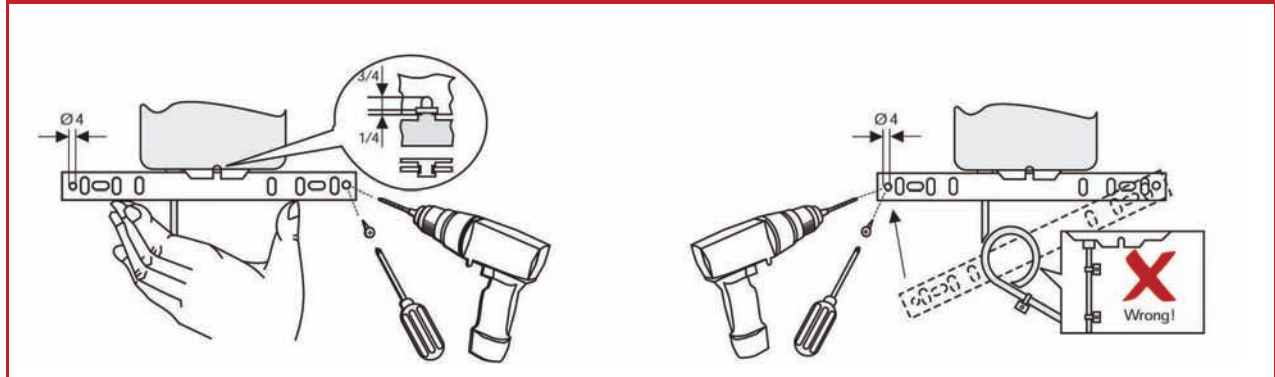




## OEM—Customized Version

TELIMA / NENUTEC offer actuators in customized version on request in your own brand name. Please contact us for further information.

## Installation / Mounting Instruction



## Remarks

NENUTEC NACA/NACM..20(S) actuator series can be equipped with a variety of NENUTEC products. Characterized Ball Valves NVCB...Series and Butterfly valves series. Consult NENUTEC representative or factory for specific requirements and material selection for your intended application.



This device contains electrical and electronic components and may not be disposed of as household garbage. Please consult your local authority for proper disposal.

### Europe:



**TELIMA AG**

Schachenstrasse 80  
 CH-8645 Jona / Switzerland  
 Phone +41 55 212 40 60  
 Fax +41 55 212 40 69  
 Email: info@telima.ch  
 Http://www.nenutec.com

### Asia Pacific / Middle East



NENUTEC ASIA PACIFIC PTE LTD  
 780 Upper Serangoon Rd  
 #02-05 Choon Kim House  
 Singapore 534 649  
 Email: info@nenutec.com.sg  
 Http://www.nenutec.com.sg