



- NENUTEC **NAFA...05 (S1)** 5 Nm Spring Return damper actuator Series are designed specifically for application into the HVAC market.
- NENUTEC high quality damper actuators are developed for use with air damper, butterfly valve, characterized ball valve and other devices that required a fail safe function. The actuator motorized the damper or other devices when power on and spring back to it original position when power is cut off.

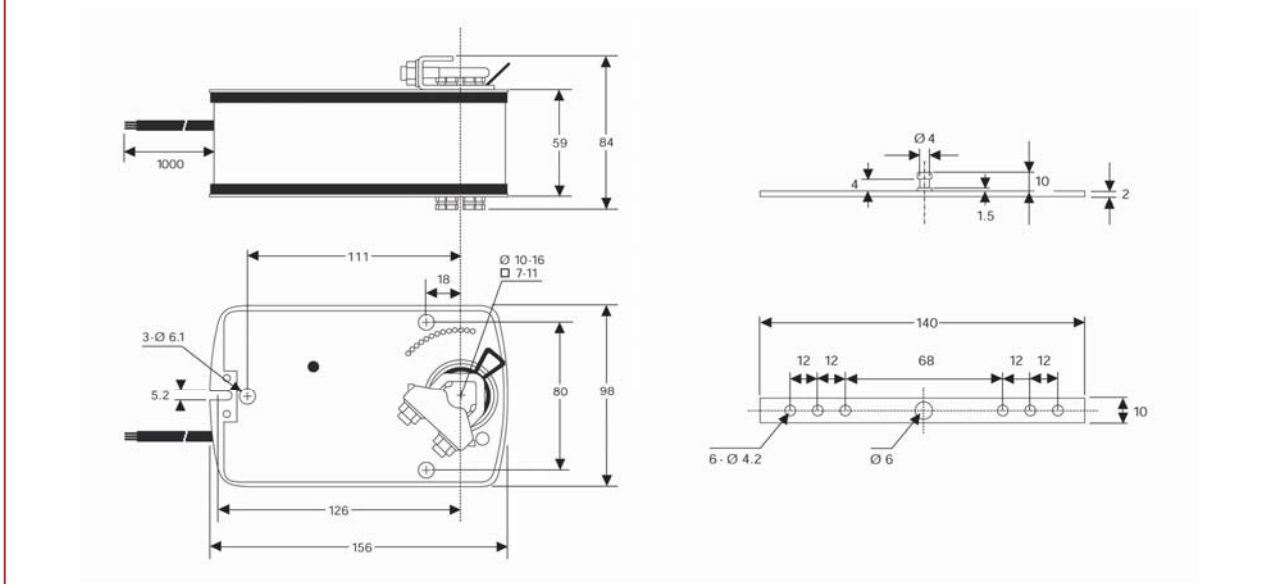
Product Features

- 2 points on/off control
- Damper Size up to 1.0 m²
- Voltage AC/DC 24V and AC 230V available
- Universal Spindle Clamp for easy direct mounting
- Shaft dimension Ø10...16 mm / □ 7...11 mm square
- Minimum Shaft Length 40mm
- Anti-rotation bracket provided for stability
- Adjustable angle of rotation
- Selectable direction of rotation by reversing actuator
- 1 adjustable SPDT auxiliary switches when requested
- Energy saving at end stops
- Actuators with 1m cable connection
- Customised version available on request

Model Selection Table

Torque	Running Time	Power Supply	Auxiliary Switches	Model/Type
5 Nm	50...70 sec	AC/DC 24V	No	NAFA 1-05
	Spring Back <20 sec		1 x SPDT	NAFA 1-05S1
5 Nm	50...70 sec	AC 230V ±10%	No	NAFA 2-05
	Spring Back <20 sec		1 x SPDT	NAFA 2-05S1

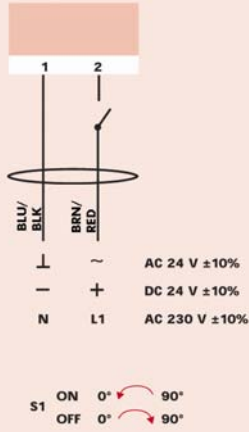
Actuator Dimensions (mm)



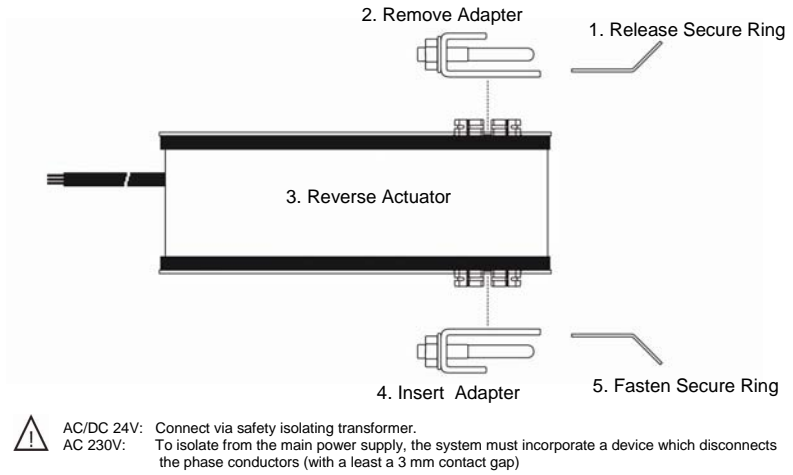
Technical Specification

	NAFA 1-05 (S1)	NAFA 2-05 (S1)
Torque — Motor (Rated Voltage) — Spring	Min. 5 Nm Min. 5 Nm	Min. 5 Nm Min. 5 Nm
Damper Size	1 m ²	1 m ²
Power Supply	AC/DC 24 V	AC 230V
Frequency	50...60Hz	50...60Hz
Power Consumption		
-Operating	7.2 W	4.2 W
-At the end stops	2.5 W	2.5 W
For wire sizing	10.0 VA	10.0 VA
Auxiliary Switches Rating (Amp and Voltage)	3 (1.5) A / 230 V (for 24 V and 230 V)	3 (1.5) A / 230 V (for 24 V and 230 V)
Protection Class	II (for 24 V and 230 V)	II (for 24 V and 230 V)
Controls Signal	2 Point On/Off	2 Point On/Off
Angle of Rotation	90° (95° mechanical)	90° (95° mechanical)
Angle of Rotation Limiting	5°...85° in 5° step	5°...85° in 5° step
Weight	1.8 Kg	1.9 Kg
Life Cycle	60,000 rotation	60,000 rotation
Sound Level	Below 45 dB	Below 45 dB
IP Protection	IP54	IP54
Ambient Temperature	-20°...50° as per IEC 721-3-3	-20°...50° as per IEC 721-3-3
Ambient Humidity	5...95% RH	5...95% RH
Inventory Temperature	+70° as per 721-3-2	+70° as per 721-3-2
Maintenance	Maintenance free	Maintenance free
Certification	CE and ISO 9000 EN / EEC... Requirements	CE and ISO 9000 EN / EEC ... Requirements

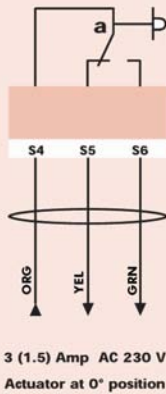
Wiring Diagram NAFA..05



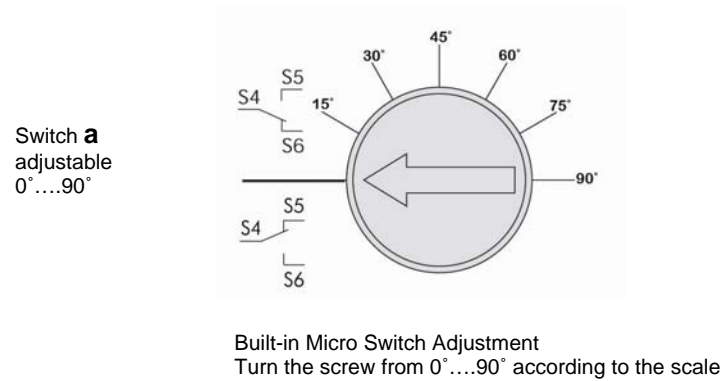
Changing Direction of Rotation NAFA...05 (S1)



Auxiliary Switches NAFA..05 (S1)



Auxiliary Switches adjustment NAFA...05 (S1)



Angle of Rotation Limiting

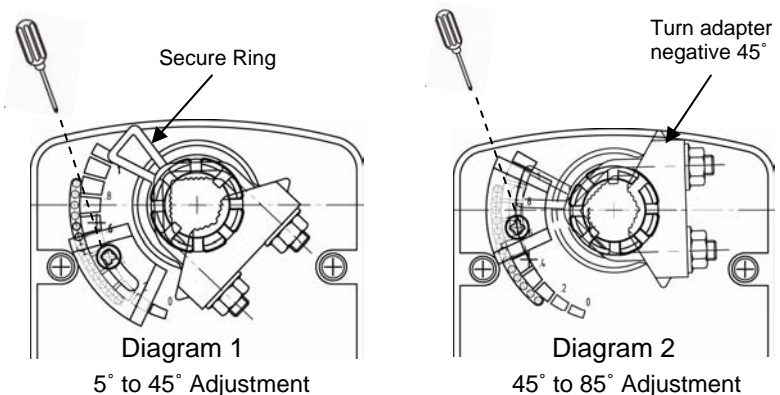
For 5° to 45° Adjustment (Diagram 1)

1. Loosen Screw of the mechanical limiter plate.
2. Move the limiter plate to the appropriate position.
3. Tighten the screw.

For 45° to 85° Adjustment (Diagram 2)

1. Release the secure ring of the adapter.
2. Remove the adapter and turn negative 45° as shown.
3. Insert adapter and secure the adapter ring.
4. Loosen Screw of the mechanical limiter plate
5. Move the limiter plate to the appropriate position
6. Tighten the screw

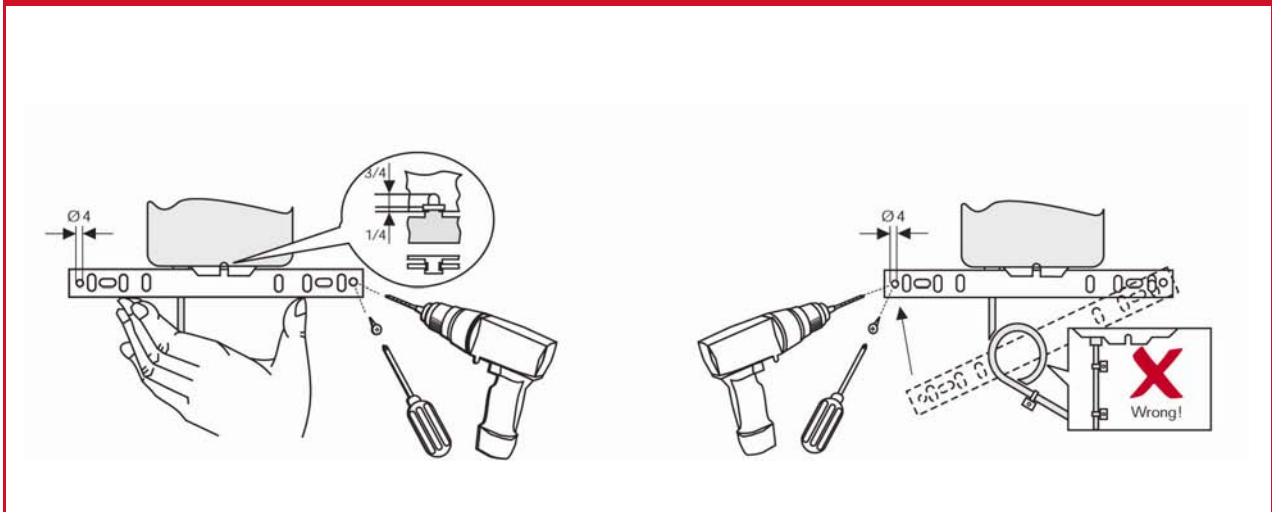
Angle of Rotation Limiting 5° to 85° adjustment



OEM—Customized Version

TELIMA / NENUTEC offer actuators in customized version on request in your own brand name. Please contact us for further information.

Installation / Mounting Instruction



Remarks

NENUTEC NAFA...05 (S1) Spring Return Actuator series can be used with a variety of NENUTEC products. Consult NENUTEC representative or factory for the specific requirements and selection for your intended application



This device contains electrical and electronic components and may not be disposed of as household garbage. Please consult your local authority for proper disposal.

Headquarter:



TELIMA AG

Schachenstrasse 80
CH-8645 Jona / Switzerland
Phone +41 55 212 40 60
Fax +41 55 212 40 69
Email: info@telima.ch
[Http://www.nenutec.com](http://www.nenutec.com)

Asia Pacific / Middle East

NENUTEC®

NENUTEC ASIA PACIFIC PTE LTD
32 Upper Serangoon View
#15-42 Singapore 534 209
Tel: (65) 6489 1815
Fax: (65) 6489 1816
Email: info@nenutecap.com
[Http://www.nenutecap.com](http://www.nenutecap.com)