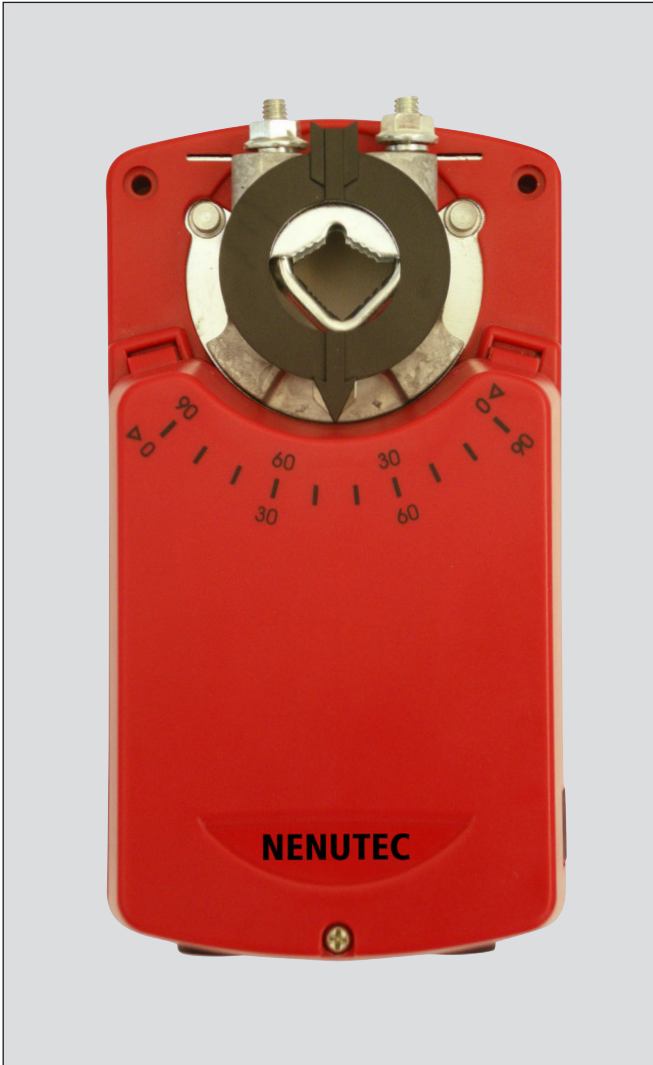


Fast-Running Rotary Damper Actuator 2 Points and 3 Points Control



■ NENUTEC is proud to offer the 08 and 16 Nm damper actuator of the NASA... 08/16 (S) Series of designed specifically applications into the HVAC and Light Industrial market.

■ NENUTEC high quality damper actuators have been designed for use with fast running air damper, butterfly valve.

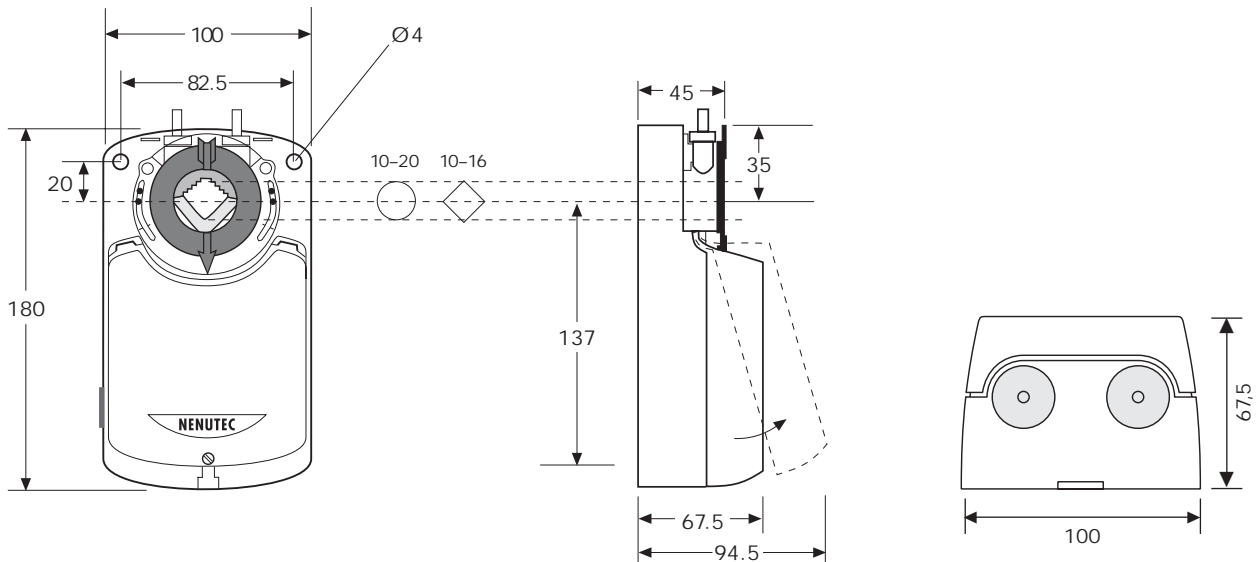
Product Features

- 2 points and 3 points control
- Shaft dimension \varnothing 10...20 mm / 10...16 mm \square square
- Universal Spindle Clamp for easy direct mounting
- Anti-rotation bracket provided for stability
- Manual over ride by push button when required
- Adjustable angle of rotation between 0°...90°
- Selectable direction of rotation
- Parallel connection up to 5 actuators
- 2 adjustable SPDT auxiliary switches when requested
- Power saving at end stops
- Actuators available with 1 m cable on request
- Customised version available, on request

Model Selection Table

Torque	Running Time	Power Supply	Auxiliary Switches	Model/Type
8 Nm	8 sec	AC/DC 24 V	No	NASA 1-08
			2 x SPDT	NASA 1-08S
		AC 230 V \pm 10%	No	NASA 2-08
			2 x SPDT	NASA 2-08S
16 Nm	16 sec	AC/DC 24 V	No	NASA 1-16
			2 x SPDT	NASA 1-16S
		AC 230 V \pm 10%	No	NASA 2-16
			2 x SPDT	NASA 2-16S

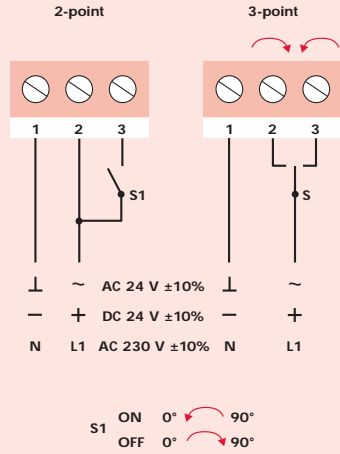
Actuator Dimensions (mm)



Technical Specification NASA... Series

	NASA1...(S)	NASA2...(S)
Torque	8 Nm / 16 Nm	8 Nm / 16 Nm
Damper Size	1.5 m ² / 3.0 m ² / 4.5 m ²	1.5 m ² / 3.0 m ² / 4.5 m ²
Power Supply	AC/DC 24 V	AC 230 V ±10%
Frequency	50-60 Hz	5-60 Hz
Power Consumption		
– Operating	7.5 W	11.2 W
– At the end stops	0.5 W	2.5 W
For wire sizing	13.0 VA	13.0 VA
Auxiliary switch rating	3(1.5) A / AC 230 V	3(1.5) A / AC 230 V
Protection class	II	II
Control Signals	2 point and 3 point	2 point and 3 point
Angle of Rotation	90° (93° mechanical)	90° (93° mechanical)
Angle Limiting	5°..85° in 5° step	5°..85° in 5° step
Weight	1.2 Kg	1.3 Kg
Life Cycle	60,000 rotation	60,000 rotation
Sound Level	50 dB (A)	50 dB (A)
IP Protection	IP54	IP54
Ambient Temperature	-20°...+50°C / IEC 721-3-3	-20°...+50°C / IEC 721-3-3
Inventory Temperature	-30°...+60°C / 721-3-2	-30°...+60°C / IEC 721-3-2
Ambient Humidity	5...95% rH non condensing	5...95% rH non condensing
Maintenance	maintenance free	maintenance free
Impact	Typ I / EN 60730-1	Typ I / EN 60730-1
Standardize	89/336/CE	89/336/CE

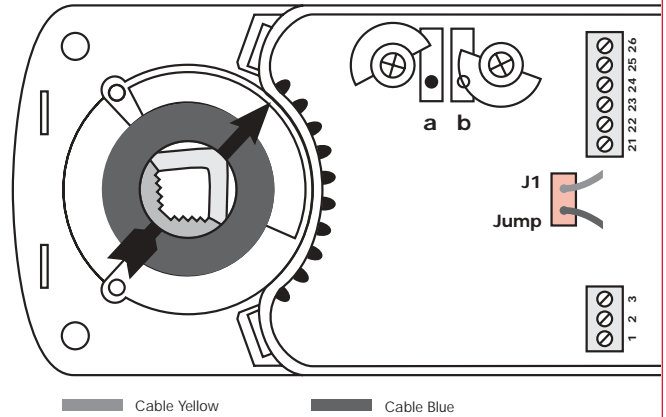
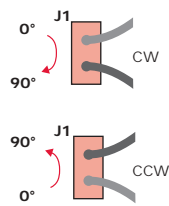
Wiring diagram NASA...(S)



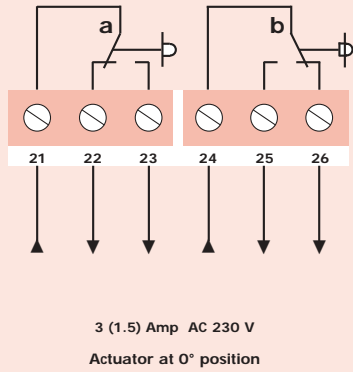
Changing direction of rotation NASA...(S)

The direction of rotation can be changed by reversing Jumper J1

Factory setting



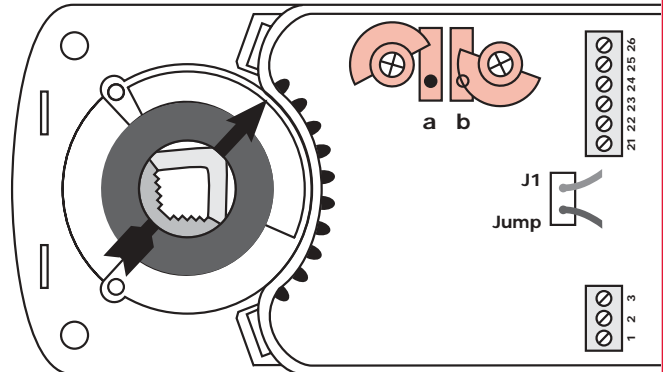
Auxiliary switches (S)



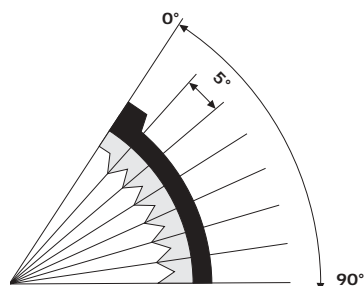
Auxiliary switch adjustment NASA...(S)

Factory setting
Switch a at 10°
Switch b at 80°

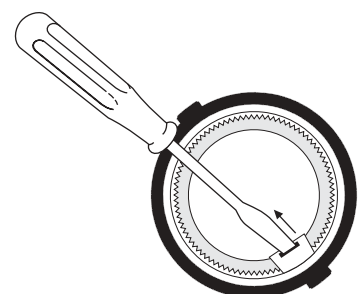
The switching position can be manually changed to any required position by turning the ratchet.



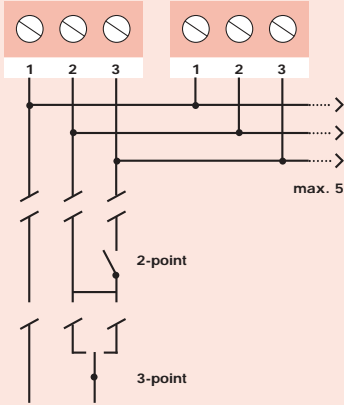
Angle-of-rotation limiting



Releasing the adapter



Parallel connection NASA...(S)



~ AC 24 V ±10% ~
 - + DC 24 V ±10% - +
 N L1 AC 230 V ±10% N L1

S1 ON 0° → 90°
 OFF 0° → 90°

Parallel connection

Parallel connection 2 points and 3 points control can be applicable up to 5 actuators.

Important Remark

The NENUTEC NASA/Fast-Running... actuator series can be equipped with a variety of NENUTEC products, Characterized Ball Valves the NVCB... series, open-closed version, the NMBV... Butterfly Valves series.

Consult NENUTEC representatives or factory for the specific requirements and material selection for your intended application.

Headquarter:



TELIMA AG

Schachenstrasse 80
 CH-8645 Jona / Switzerland
 Phone +41 55 224 40 60
 Fax +41 55 224 40 69
 e-mail: info@telima.ch
 www.nenutec.com

For Asia / Pacific:

NENUTEC®

NENUTEC ASIA PACIFIC
 32 Upper Serangoon View
 # 15-42 Singapore 534 209
 Phone +65 6489 1815
 Fax +65 6489 1816
 e-mail: nenutec@singnet.com.sg