

Damper Actuator Fast Running Modulating Control



- NASM...08/16 (S) Series
- The NENUTEC damper actuators are especially designed and produced for applications into the HVAC market.
- Our wide range of NENUTEC actuators have been developed to operate air dampers in different sizes, NPG-1 and as well ball valves.

Product Features

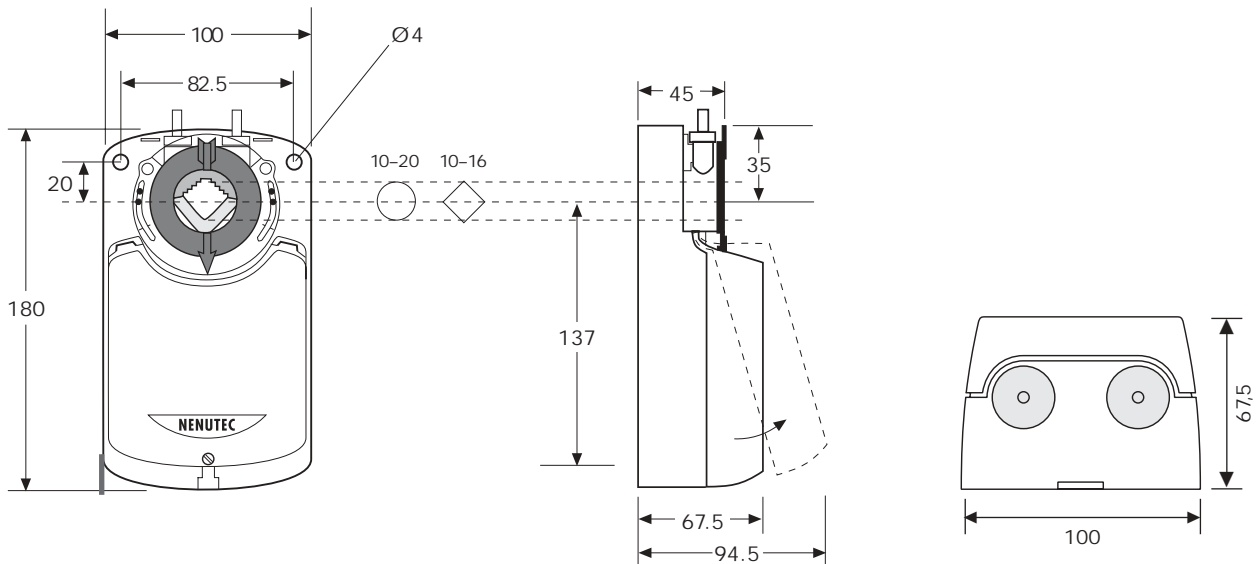
- Torque 8 Nm and 16 Nm
- For damper size 1.5 m² / 3.0 m²
- Nominal voltage AC/DC 24 V
- Modulating Control
- 2 adjustable auxiliary switches (SPDT)
- Shaft dimension Ø 10...20 mm / 10...16 mm □ square
- Minimum shaft length 40 mm
- Selectable direction of rotation
- Adjustable angle of rotation
- Actuator available with 1 m cable connection
- Customised version on request

Model Selection Table

Torque	Running Time	Power Supply	Auxiliary Switches	Model/Type
8 Nm	8 sec	AC/DC 24 V	No	NASM 1.1-08
			2 x SPDT	NASM 1.1-08S1
16 Nm	16 sec	AC/DC 24 V	No	NACM 1.1-16
			2 x SPDT	NACM 1.1-16S1

The performance specifications above are nominal and subject to tolerances and application variables of generally acceptable industry standards. NENUTEC shall not be liable for damages resulting from misapplication or misuse of its products.

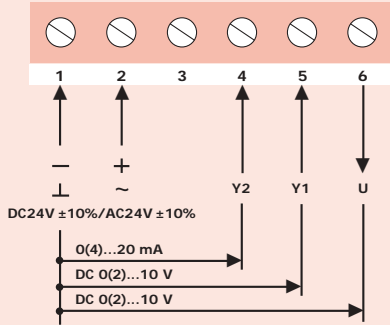
Actuator Dimensions (mm)



Technical Specification

	NASM1.1
Torque	8 Nm / 16 Nm
Damper Size	1.5 m ² / 3.0 m ²
Power Supply	AC/DC 24 V
Frequency	50-60 Hz
Power Consumption	
- Operating	8.5 W
- At the end Stops	0.7 W
For Wire Sizing	10.5 VA
Auxiliary Switch Rating	3(1.5) A, AC 230 V
Protection Class	II
Input Control Signal	0(4)...20 mA or DC0(2)...10 V
Output Control Signal	DC0...10 V
Angle of Rotation	90° (93° mechanical)
Angle Limiting	5°...85° in 5° step
Weight	1.2 kg
Life Cycle	60,000 rotation
Sound Level	50 dB(A)
IP Protection	IP54
Ambient Temperature	-20°...+50°C / IEC 721-3-3
Inventory Temperature	-30°...+60°C / IEC 721-3-2
Ambient Humidity	5...95% rH non condensing
Maintenance	maintenance free
Impact	Typ I / EN 60730-1
Standardize	89/336/CE

Wiring diagram NASM1.1...(S)



Changing direction of rotation NASM1.1...(S) and adjusting the controls signals NACM1.1...(S)

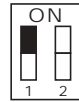
Control signal Y1	DC 0(2)...10 V
Input resistance	Ri 100 kΩ
Control signal Y2	0(4)...20 mA
Input resistance	Ri 500 Ω
Position signal U	DC 0(2)...10 V
Load resistance	> 50 kΩ

Microswitch **d**

DC 0...10 V
0...20 mA

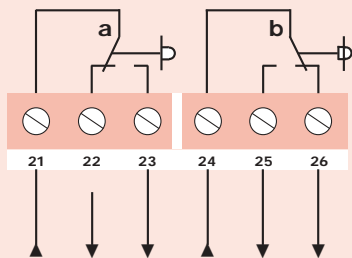


DC 2...10 V
4...20 mA



The control signal can be changed to DC 2...10 V and 4...20 mA by moving microswitch 1 to the ON position.

Auxiliary switches NASM1.1...(S)

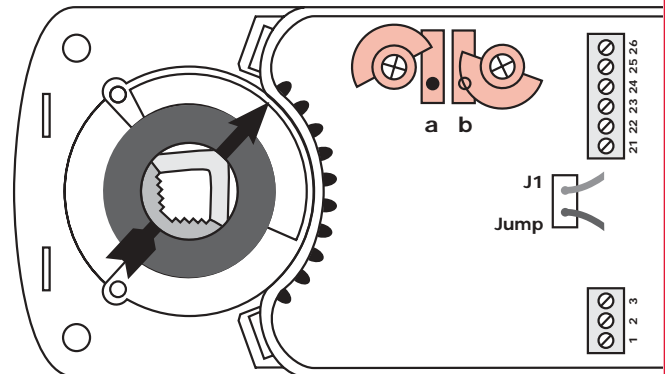


3 (1.5) Amp AC 230 V
Actuator at 0° position

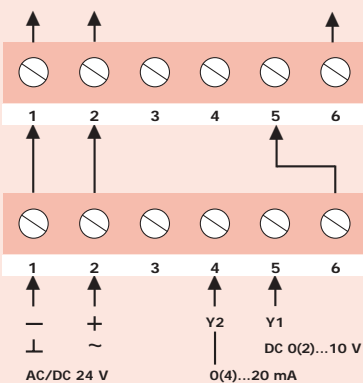
Auxiliary switch adjustment NASM...(S)

Factory setting
Switch **a** at 10°
Switch **b** at 80°

The switching position can be manually changed to any required position by turning the ratchet.



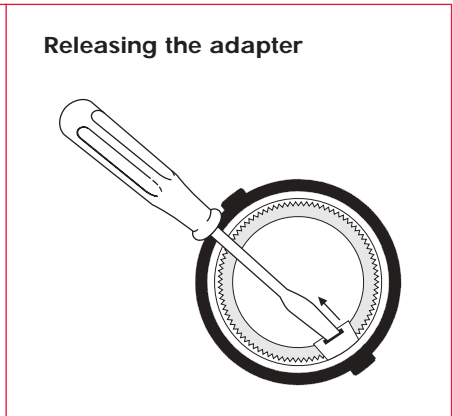
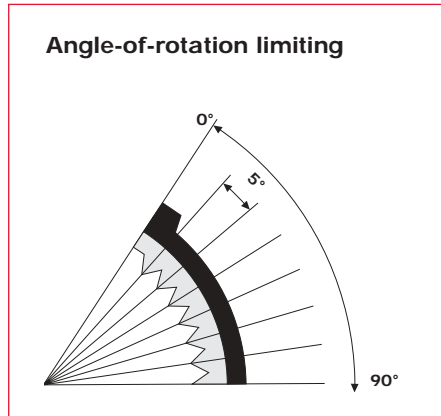
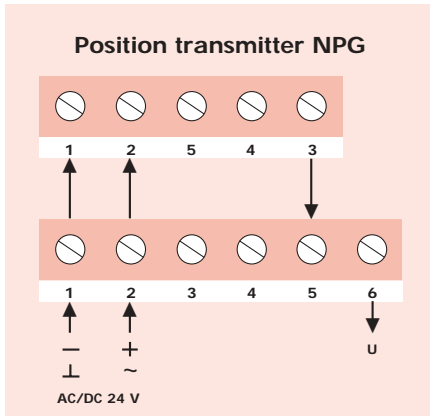
Parallel connection



When NACM...(S) actuators are to be operated in parallel, the output signal U = DC 0(2)...10 V (Terminal 6) of the master actuator must be connected to Terminal 5 of the next slave actuator, etc.

Note:

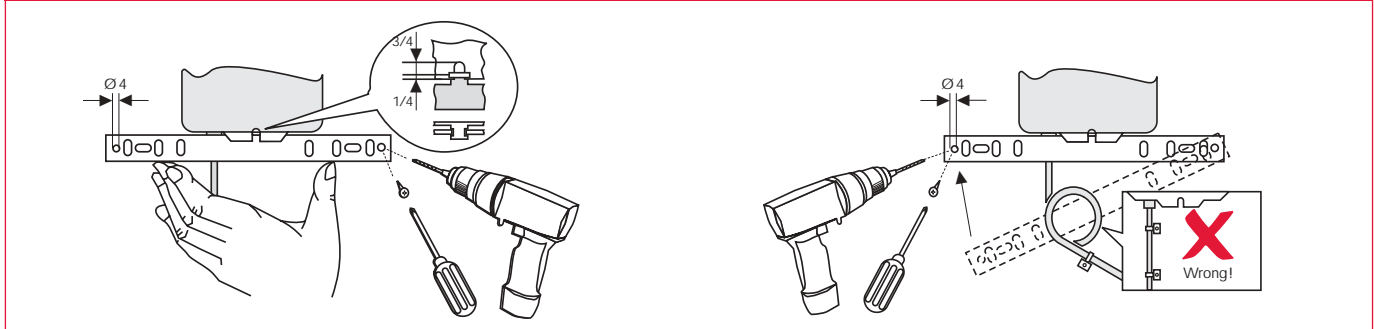
Up to 5 actuators can be operated in parallel.



OEM – customized version

TELIMA/NENUTEC offer you as well actuators in a customized version on request in your own brandname. Please contact us for further more detail information.

Installation / Mounting



Important Remark

The NENUTEC NACA...(S1) / NACM... actuator series can be equipped with a variety of NENUTEC products characterized 2-way und 3-way ball valves of NVCB... series and NPG-1 position transmitter accessories.
Consult NENUTEC representatives or factory for the specific requirements and material selection for your intended application.



This position transmitter includes electrical and electronic components and may not be disposed as household garbage. Please consider the locally valid legislation.

Headquarter:



TELIMA AG
Schachenstrasse 80
CH-8645 Jona / Switzerland
Phone +41 55 224 40 60
Fax +41 55 224 40 69
e-mail: info@telima.ch
www.nenutec.com

For Asia / Pacific:

NENUTEC®
NENUTEC ASIA PACIFIC
32 Upper Serangoon View
15-42 Singapore 534 209
Phone +65 6489 1815
Fax +65 6489 1816
e-mail: nenutec@singnet.com.sg