

- NENUTEC **SAFA...05S (T)** 5 Nm Spring Return damper actuator Series are designed specifically for Fire and Smoke application.
- NENUTEC high quality damper actuators are developed for use with fire and smoke damper. The actuator motorized the damper or other devices when power on and spring back to it original position when power is cut off or trip by the thermal sensor.

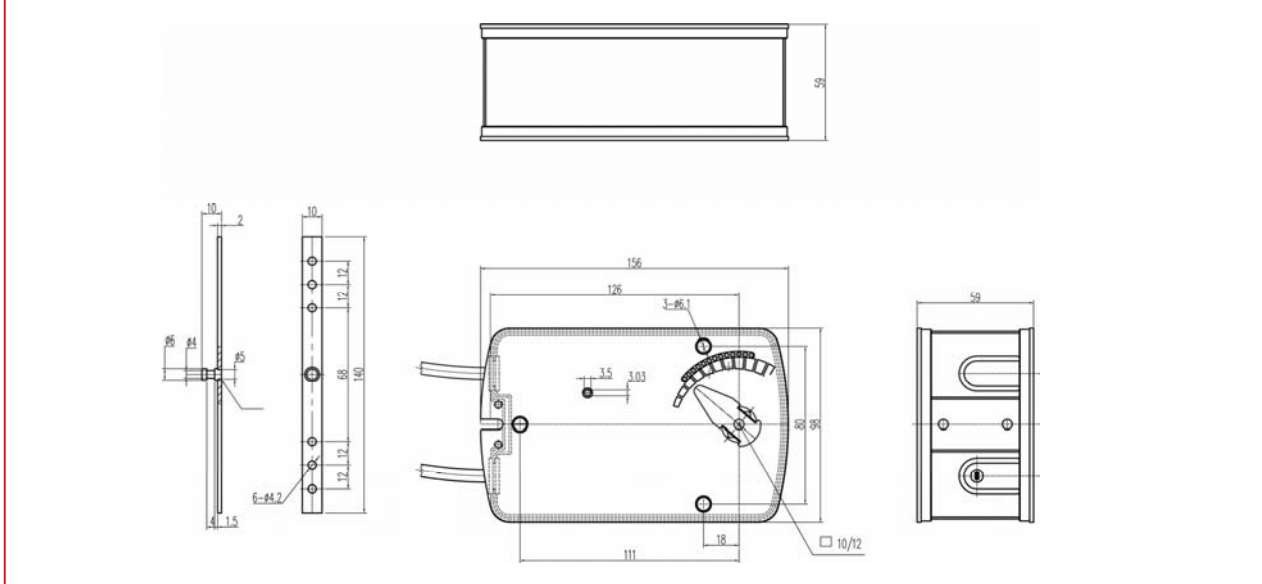
Product Features

- 2 points on/off control
- Damper Size up to 1.0 m²
- Voltage AC/DC 24V and AC 230V available
- Shaft dimension Form Fit □ 12mm square
- Adapter supplied for Form Fit □ 8 or 10 mm square
- Manual Over ride by crank handle when required
- Anti-rotation bracket provided for stability
- Selectable direction of rotation by reversing actuator
- 2 SPDT Fixed auxiliary switches as Standard
- Energy saving at end stops
- Actuators with 1m cable connection
- Thermal Sensor when requested
- Customised version available on request

Model Selection Table

Torque	Running Time	Power Supply	Auxiliary Switches	Model/Type	Thermal Sensor
5 Nm	50...70 sec	AC/DC 24V	2 x SPDT	SAFA 1-05S	No
	Spring Back <20 sec			SAFA 1-05ST	Yes
5 Nm	50...70 sec	AC 230V ±10%	2 x SPDT	SAFA 2-05S	No
	Spring Back <20 sec			SAFA 2-05ST	Yes

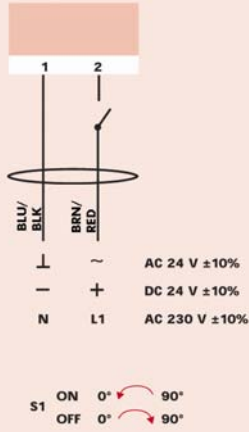
Actuator Dimensions (mm)



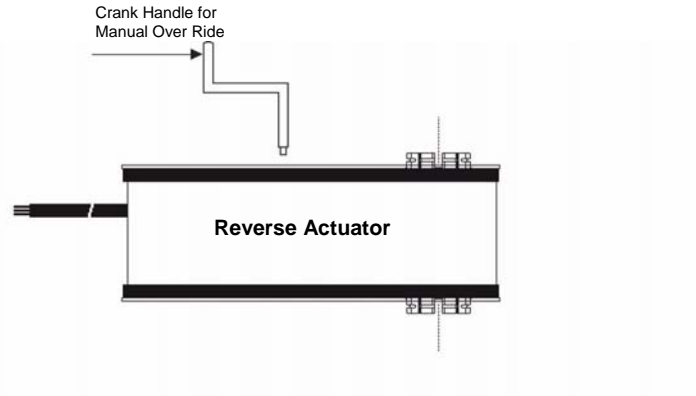
Technical Specification

	SAFA 1-05S (T)	SAFA 2-05S (T)
Torque — Motor (Rated Voltage) — Spring	Min. 5 Nm Min. 5 Nm	Min. 5 Nm Min. 5 Nm
Damper Size	1 m ²	1 m ²
Power Supply	AC/DC 24 V	AC 230V
Frequency	50...60Hz	50...60Hz
Power Consumption		
-Operating	7.2 W	4.2 W
-At the end stops	2.5 W	2.5 W
For wire sizing	10.0 VA	10.0 VA
Auxiliary Switches Rating (Amp and Voltage)	3 (1.5) A / 230 V (for 24 V and 230 V)	3 (1.5) A / 230 V (for 24 V and 230 V)
Protection Class	II (for 24 V and 230 V)	II (for 24 V and 230 V)
Controls Signal	2 Point On/Off	2 Point On/Off
Angle of Rotation	90° (95° mechanical)	90° (95° mechanical)
Thermal Temperature Trip	>72° Celsius	>72° Celsius
Weight	1.8 Kg	1.9 Kg
Life Cycle	60,000 rotation	60,000 rotation
Sound Level	Below 45 dB	Below 45 dB
IP Protection	IP54	IP54
Ambient Temperature	-20°...50° as per IEC 721-3-3	-20°...50° as per IEC 721-3-3
Ambient Humidity	5...95% RH	5...95% RH
Inventory Temperature	+70° as per 721-3-2	+70° as per 721-3-2
Maintenance	Maintenance free	Maintenance free
Certification	CE and ISO 9000 EN / EEC... Requirements	CE and ISO 9000 EN / EEC ... Requirements

Wiring Diagram SAFA..05S (T)

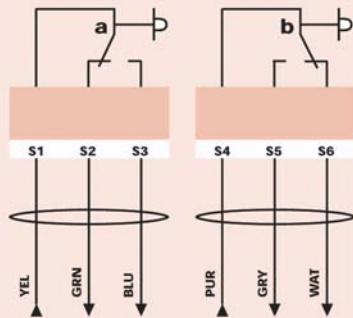


Changing Direction of Rotation SAFA...05 (T)



⚠ AC/DC 24V: Connect via safety isolating transformer.
AC 230V: To isolate from the main power supply, the system must incorporate a device which disconnects the phase conductors (with a least a 3 mm contact gap)

Auxiliary Switches SAFA..05S (T)



Auxiliary Switches SAFA...05S (T)

Auxiliary are fixed at 5° for switch (a) and 85° for switch (b)
Auxiliary Switches are Non adjustable.

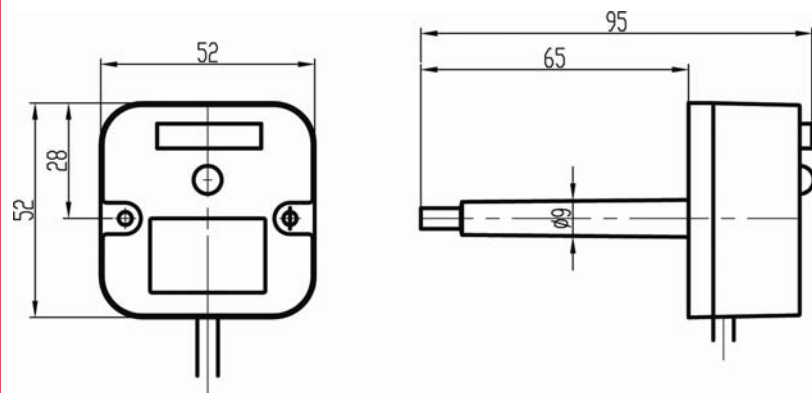
Thermal Sensor NTS 72

Thermal Sensor NTS 72 consist of both Ambient (TS1) and Duct sensor (TS2).

TS1 will trip open when the ambient temperature rise above 72°.

TS2 will trip open when the duct temperature rise above 72°.

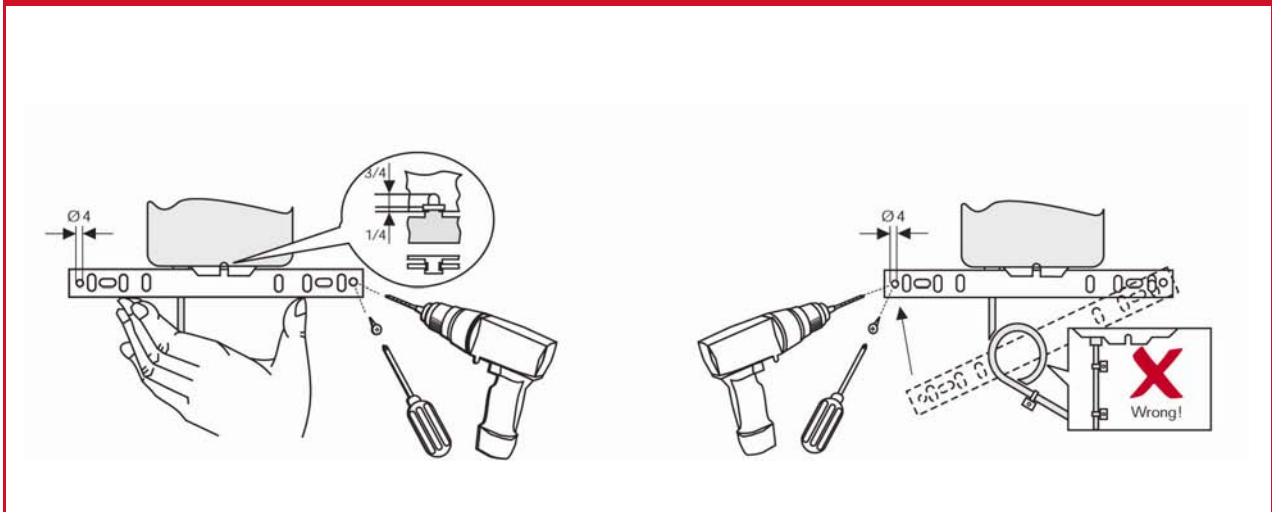
Thermal Sensor NTS72



OEM—Customized Version

TELIMA / NENUTEC offer actuators in customized version on request in your own brand name. Please contact us for further information.

Installation / Mounting Instruction



Remarks

NENUTEC SAFA....05S (T) Spring Return Actuator series can be used with a variety of Fire and Smoke application. Consult NENUTEC representative or factory for the specific requirements and selection for your intended application



This device contains electrical and electronic components and may not be disposed as household garbage. Please consult your local authority for proper disposal.

Europe:



TELIMA AG

Schachenstrasse 80
CH-8645 Jona / Switzerland
Phone +41 55 212 40 60
Fax +41 55 212 40 69
Email: info@telima.ch
[Http://www.nenutec.com](http://www.nenutec.com)

Asia Pacific / Middle East



NENUTEC ASIA PACIFIC PTE LTD
32 Upper Serangoon View
#15-42 Singapore 534 209
Tel: (65) 6489 1815
Fax: (65) 6489 1816
Email: info@nenutec.com.sg
[Http://www.nenutec.com.sg](http://www.nenutec.com.sg)