

NDPS 2000

Differential Pressure Switch For Air and Gas



NENUTEC is proud to offer the NDPS 2000 Differential Pressure Switch. They are designed for use in air or gases where proof of airflow is needed for proper system operation.

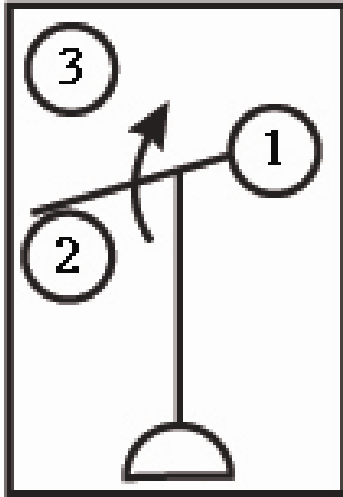
Feature & Application

- Clogged Filter Detection
- Proof of Airflow Needed
- Max Pressure/Airflow Control for variable Volume Systems
- Visible scale reading for easy set point adjustment
- External Set point adjustment without removing cover

Specifications

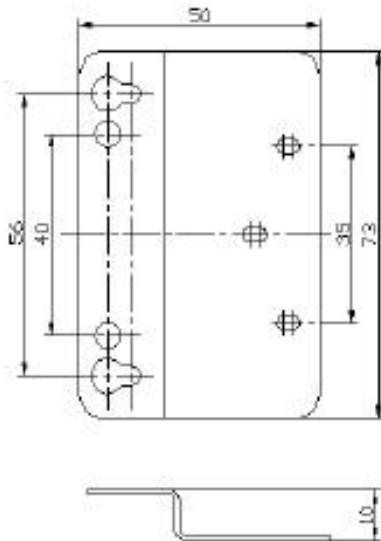
Model / Range	NDPS 2001	30 Pa to 300 Pa
	NDPS 2002	50 Pa to 500 Pa
	NDPS 2003	100 Pa to 500Pa
	NDPS 2003	100 Pa to 1000Pa
Operating Pressure Differential	40 to 60 Pa	
Max Allowable Over Pressure	1000 Pa	
Electrical Rating	2A , 24 VAC to 277VAC , 50/60 Hz	
Contact Control	SPDT	
Body Material	ABS	
Tubing Connection	P1 (+) and P2 (-)	
Mounting Accessories Included	Φ6.2mm x 1.8m tubing, L-Bracket and 3 Screws	
IP Protection	IP54	
Ambient Temperature	-20°...50° as per IEC721-3-3	
Ambient Humidity	5...95% rH (non Condensing)	
Inventory Temperature	+70°C as per IEC 721-3-2	
Certification	CE and ISO 9000 (EN...requirements)	
Shipping Weight	0.1 kg (0.22 lbs)	
Dimension	Φ81 x 53 mm	

Wiring Diagram and Dimension

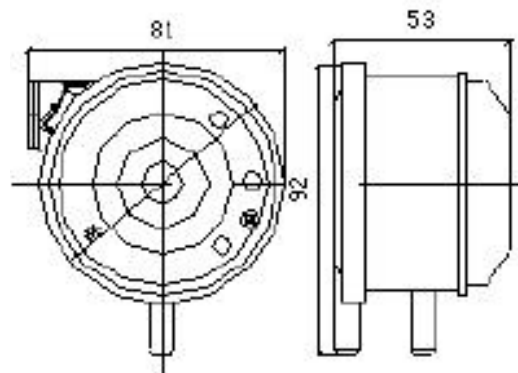


On Decrease in Pressure Differential, contact arm makes common (1) to (2) Terminal

On Increase in Pressure Differential, contact arm makes common (1) to (3) Terminal



Bracket Dimension



Overall Dimension

Head Office

TELIMA AG / NENUTEC
Schachenstrasse 80, Ch-8645, Jona, Switzerland
Tel: +41 55 224 4060 Fax: +41 55 224 4069
Email: info@telima.ch
website: www.nenutec.com

Asia/Pacific

NENUTEC Asia Pacific Pte Ltd
32 Upper Serangoon View
#15-42 Singapore 534 209
Tel: +65 6489 1815 Fax: +65 6489 1816
Email: info@nenutecap.com
<http://www.nenutecap.com>