



NENUTEC is proud to offer the NDPS 2018 Differential Pressure Controls. They are designed for use with NAVA, NABA or NACA series valve actuator for a typical bypass line around the system pump. When system pressure increase, it will open the valve further to let more water bypass, thus reducing the system pressure and vice versa.

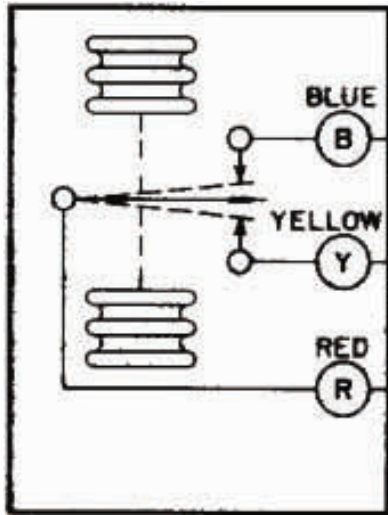
#### Feature

- Single Pole, Double Throw floating action control.
- 1/4" Flare Tube connection for easy installation
- Visible scale reading for easy set point adjustment
- External Set point adjustment without removing cover

### Specifications

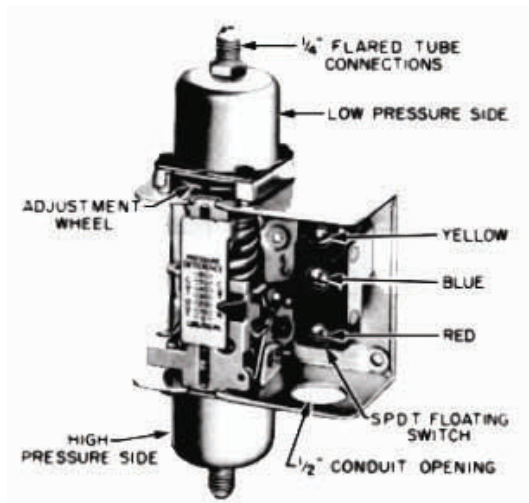
Scale Range	8 to 60 PSI (55 to 414 KPa)
Operating Pressure Differential	2 PSI ( 14 kPa) Fixed
Max Low Pressure Bellows Overrun	180 PSI (1241 Kpa)
Max Allowable Differential Pressure	120 PSI (830 KPa)
Electrical Rating	24 VA , 24 VAC to 277VAC , 50/60 Hz
Contact Control	SPDT , Floating Action
Body Material	Cold Rolled Steel
Finish	Gray Baked
Mounting	Mount to Flat Surface
IP Protection	IP30
Ambient Temperature	-20°....50° as per IEC721-3-3
Ambient Humidity	5....95% rH (non Condensing)
Inventory Temperature	+70°C as per IEC 721-3-2
Certification	CE and ISO 9000 (EN...requirements)
Shipping Weight	1.1 kg (2.4 lbs)

## Wiring Diagram and Adjustment



**On Decrease in Pressure Differential, floating contact arm makes common RED (R) to Blue (B) Terminal**

**On Increase in Pressure Differential, floating contact arm makes common RED (R) to Yellow (Y) Terminal**



### **Set Point Adjustment**

**Turn the Adjustment wheel to the left to increase the Differential Set Point .**

**Turn the Adjustment wheel to the right to decrease the Differential Set Point**

### **Head Office**

TELIMA AG / NENUTEC  
Schachenstrasse 80, Ch-8645, Jona, Switzerland  
Tel: +41 55 224 4060 Fax: +41 55 224 4069  
Email: [info@telima.ch](mailto:info@telima.ch)  
website: [www.nenutec.com](http://www.nenutec.com)

### **Asia/Pacific**

NENUTEC Asia Pacific  
32 Upper Serangoon View  
#15-42 Singapore 534 209  
Tel: +65 6489 1815 Fax: +65 6489 1816  
Email: [nenutec@singnet.com.sg](mailto:nenutec@singnet.com.sg)