



NENUTEC is proud to offer the NFS 60 Flow Switch. They are designed for use prove flow of water by giving an alarm or use to control the condenser pump in the HVAC system.

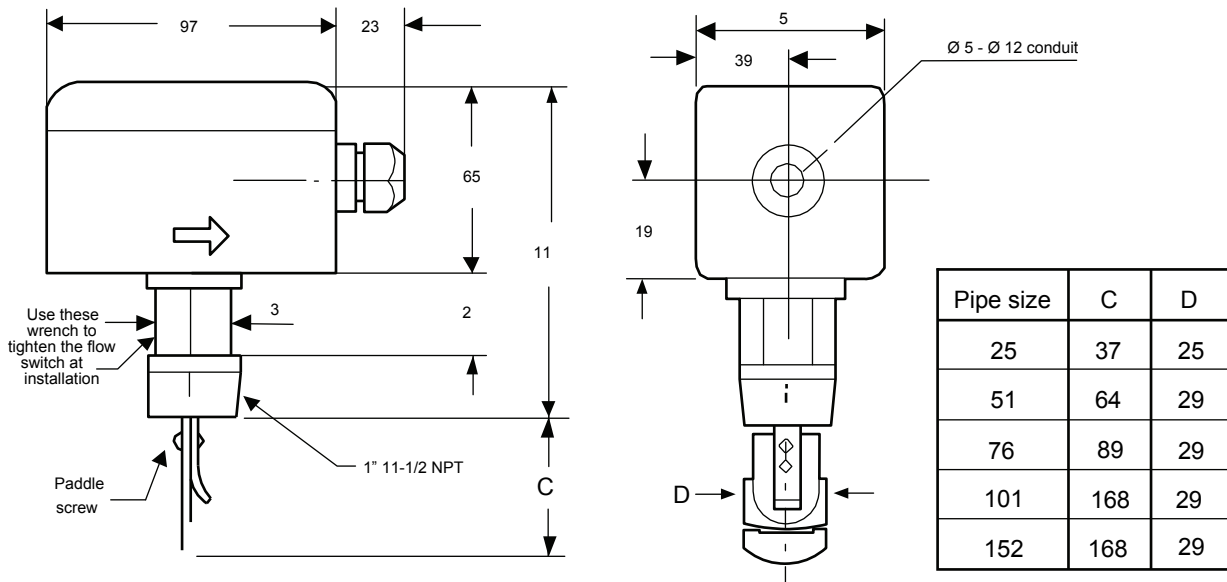
Feature

- 1" to 6" pipe size
- 3 pieces paddle included
- SPDT contact for NC or NO operation

Specifications

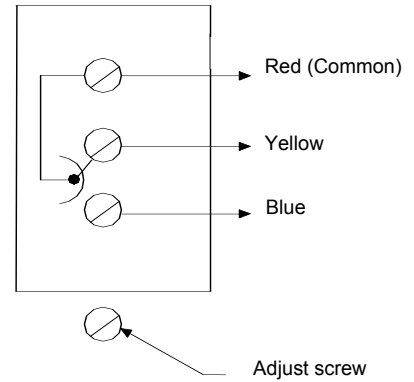
Contact Rating	AC 230V 10A
Medium Temperature Range	0 to 120°C
Connection	1" (11-1/2)NPT
Max Pressure Allowable	18 Bar
IP Protection	IP65
Ambient Temperature	-20°...50° as per IEC721-3-3
Ambient Humidity	5....95% rH (non Condensing)
Inventory Temperature	+70°C as per IEC 721-3-2
Certification	CE and ISO 9000 (EN...requirements)
Shipping Weight	700g

Dimension



Contact Rating

Rated Voltage V		Power COS ϕ	125V AC	250V AC
			Rated Current A	
No induced load current		1	15	15
Induced load	Full load current	0.75	3.5	2.5
Current	Instantaneous current	0.45	21	15



Minimum Flow Rate

GPM (m3/hr) Required to Actuate Switch											
Pipe Size (in.)		1	1-1/4	1-1/2	2	2-1/2	3	4*	5*	6*	8*
Mini- mum Adjust- ment	Flow increas- ing red→yellow closed**	4.2 (1.0)	5.8 (1.3)	7.5 (1.7)	13.7 (3.1)	18.0 (4.1)	27.5 (6.2)	65.0 (14.8) 37.0+ (8.4)	125.0 (28.4) 57.0+ (12.9)	190.0 (43.1) 74.0+ (16.8)	375.0 (85.2) 205.0+ (46.6)
	Flow decreas- ing red→blue closed**	2.5 (0.6)	3.7 (0.8)	5.0 (1.1)	9.5 (2.2)	12.5 (2.8)	19.0 (4.3)	50.0 (11.4) 27.0+ (6.1)	101.0 (22.9) 41.0+ (9.3)	158.0 (35.9) 54.0+ (12.3)	320.0 (72.7) 170.0+ (38.6)
Maxi- mum Adjust- ment	Flow increas- ing red→yellow closed**	8.8 (2.0)	13.3 (3.0)	19.2 (4.4)	29.0 (6.6)	34.5 (7.8)	53.0 (12.0)	128.0 (29.1) 81.0+ (18.4)	245.0 (55.6) 118.0 + (26.8)	375.0 (85.2) 144.0 (32.7)	760.0 (172.6) 415.0+ (94.2)
	Flow decreas- ing red→blue closed**	8.5 (1.9)	12.5 (2.8)	18.0 (4.1)	27.0 (6.1)	32.0 (7.3)	50.0 (11.4)	122.0 (27.7) 76.0+ (17.3)	235 (53.4) 111.0 + (25.2)	360.0 (81.8) 135.0 + (30.7)	730.0 (165.8) 400.0+ (90.8)

Head Office

TELIMA AG / NENUTEC
Schachenstrasse 80, Ch-8645, Jona, Switzerland
Tel: +41 55 224 4060 Fax: +41 55 224 4069
Email: info@telima.ch
website: www.nenutec.com

Asia/Pacific

NENUTEC Asia Pacific
32 Upper Serangoon View
#15-42 Singapore 534 209
Tel: +65 6489 1815 Fax: +65 6489 1816
Email: nenutec@singnet.com.sg