



NENUTEC is proud to offer the NTC 600 series. It features a 3-wire floating (incremental) or a 0-10 VDC control output. The controllers are designed for use in 2-pipe or 4 Pipe air handling units, and a variety of heating and cooling applications controlled by water valves and damper actuator.

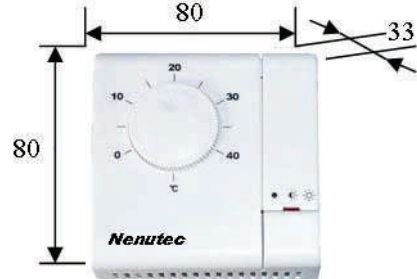
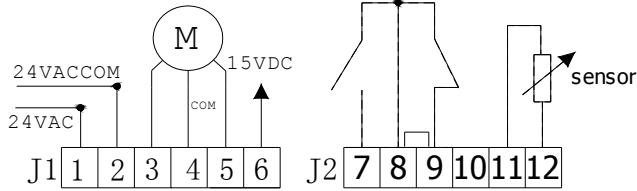
Feature

- Aesthetic Design
- 3 Point floating or Modulating
- 0-10Vdc for Modulating
- Internal NTC thermistor Sensor
- Can be use with External Duct Sensor, NTS Series (Optional)
- On-Site Calibration possible

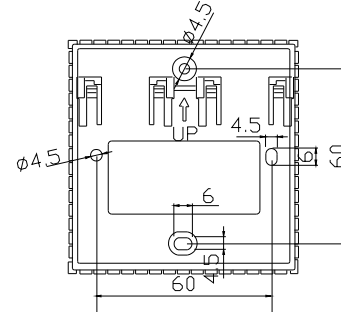
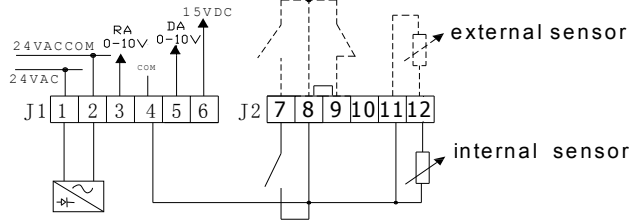
Specifications

Model	NTC 601—3 Point Floating Control Single Output, Cooling Only or Heating Only, 2-pipe System
	NTC 602—0-10Vdc Modulating Control Single Output, Cooling Only or Heating Only, 2-pipe System
Power Supply	AC 24V
Set Point Temperature Range	NTC 601— 0 to 40°C NTC 602—12 to 28°C
Adjustable Proportional Band	0-4K
Sensor Element	NTC Thermistor 10KΩ at 25°C
Body Material	Self-extinguishing, Molded ABS
Finish	Off White Color
IP Protection	IP30
Ambient Temperature	-20° ...50° as per IEC721-3-3
Ambient Humidity	5...95% rH (non Condensing)
Inventory Temperature	+70°C as per IEC 721-3-2
Certification	CE and ISO 9000 (EN...requirements)

Wiring Diagram and Dimension



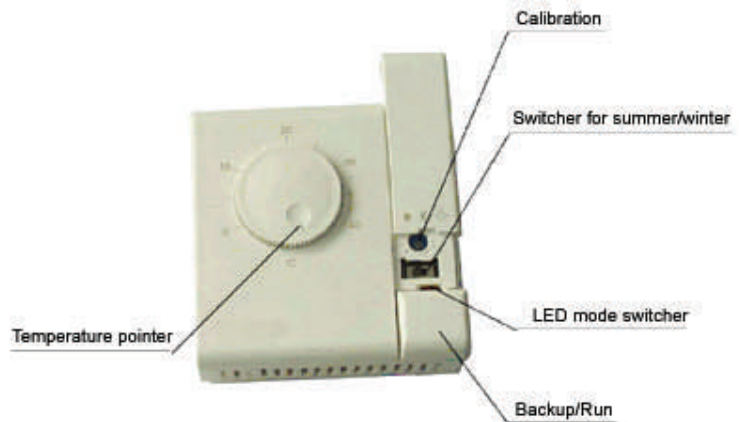
NTC 601 - 3 Point Floating / Proportional Controls



NTC 602 - 0 -10Vdc Proportional Controls

Application Overview

The NTC 600 Proportional Temperature Controller feature both 3 Point Floating Controls and 0-10Vdc Modulating. The Temperature Controller can be ordered with NENUTEC Valve Actuator NVC/ NAV... and NTS external Duct Sensor for a complete HVAC solution.



Head Office

TELIMA AG / NENUTEC
Schachenstrasse 80, Ch-8645, Jona, Switzerland
Tel: +41 55 224 4060 Fax: +41 55 224 4069
Email: info@telima.ch
website: www.nenutec.com

Asia/Pacific

NENUTEC Asia Pacific
32 Upper Serangoon View
#15-42 Singapore 534 209
Tel: +65 6489 1815 Fax: +65 6489 1816
Email: nenutec@singnet.com.sg