

NTC 650 Series Programmable Modulating Temperature Controller With LCD



NENUTEC is proud to offer the NTC 650 series. It features a 3-wire floating (incremental) or a 0-10 VDC control output and comes with a Liquid Crystal Display. The controllers are designed for use in 2-pipe or 4 Pipe air handling units, and a variety of heating and cooling applications controlled by water valves and damper actuator.

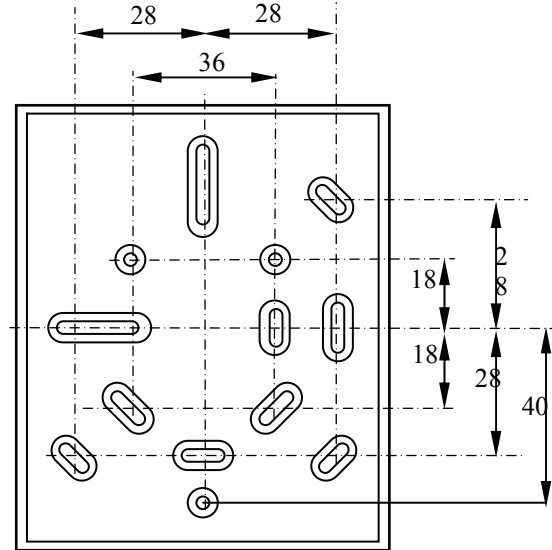
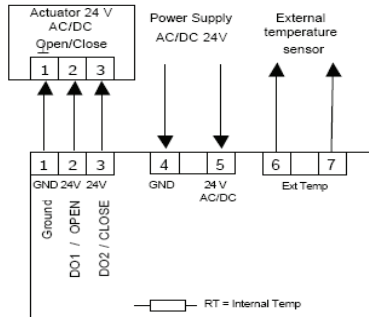
Feature

- Aesthetic Design with LCD
- 3 Point floating or Modulating
- 0-10Vdc for Modulating
- Internal NTC thermistor Sensor
- Can be use with External Duct Sensor, NTS Series (Optional)
- User Programmable
- Low and High Set Point Limitation
- Celsius or Fahrenheit Selectable

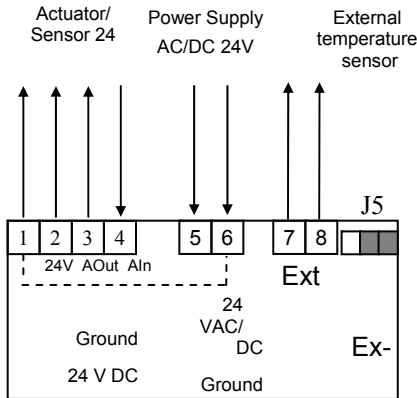
Specifications

Model	NTC 651—3 Point Floating Control Single Output, Cooling Only or Heating Only, 2-pipe System
	NTC 652—0-10Vdc Modulating Control Single Output, Cooling Only or Heating Only, 2-pipe System
Power Supply	AC 24V
Set Point Temperature Range	10 to 35°C
Adjustable Proportional Band	0-4K
Sensor Element	NTC Thermistor 10KΩ at 25°C
Body Material	Self-extinguishing, Molded ABS
Finish	Off White Color
IP Protection	IP30
Ambient Temperature	-20°...50° as per IEC721-3-3
Ambient Humidity	5...95% rH (non Condensing)
Inventory Temperature	+70°C as per IEC 721-3-2
Certification	CE and ISO 9000 (EN...requirements)

Wiring Diagram and Dimension



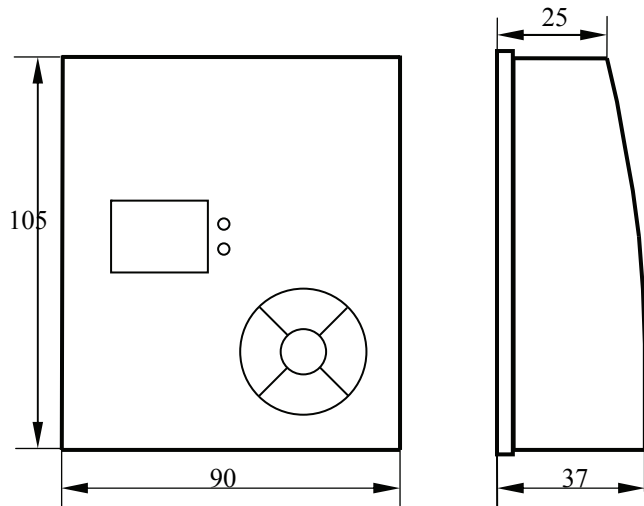
NTC 651 - 3 Point Floating / Proportional Controls



NTC 652 - 0 -10Vdc Proportional Controls

Application Overview

The NTC 650 Programmable Temperature Controller feature both 3 Point Floating Controls and 0-10Vdc Modulating. The Temperature Controller can be ordered with NENUTEC Valve Actuator NVC/ NAV... and NTS external Duct Sensor for a complete HVAC solution.



Head Office

TELIMA AG / NENUTEC
 Schachenstrasse 80, Ch-8645, Jona, Switzerland
 Tel: +41 55 224 4060 Fax: +41 55 224 4069
 Email: info@telima.ch
 website: www.nenutec.com

Asia/Pacific

NENUTEC Asia Pacific
 32 Upper Serangoon View
 #15-42 Singapore 534 209
 Tel: +65 6489 1815 Fax: +65 6489 1816
 Email: nenutec@singnet.com.sg