

NTC 760 Series

Fan Coil Thermostats with LCD Optional 7 day Programmable



NENUTEC is proud to offer the NTC 760 series thermostat with LCD. It features an on/off control for heating or cooling with fan speed switch. The controllers are designed for use in 2-pipe, and a variety of heating and cooling applications controlled by water valves and damper actuator.

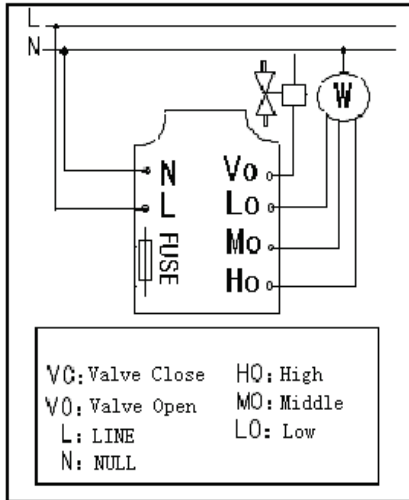
Feature

- Ultra slim wall-mounted Unit to match any decor
- Large easy to read Liquid Crystal Display
- System “OFF” position breaks all circuits
- Last Memory Retained on Power Failure
- Optional Blue Backlight & Optional 7 Day Programmable
- Optional Wireless Remote Controller
- 2 Point or 3 Point Wiring

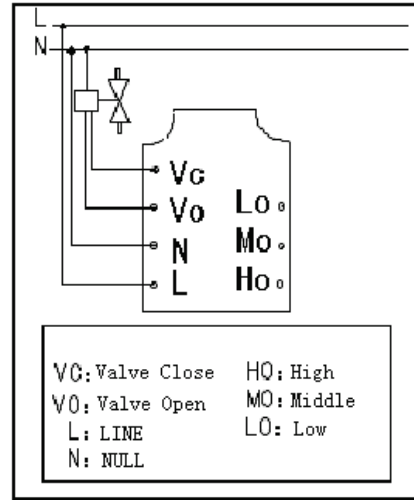
Specifications

Product Model Numbers	NTC761 Heat-Off-Cool, 3-speed Fan, Single Output, Cooling Only or Heating Only, 2-pipe NTC761-BPW Optional B-Backlight, P—7day Programmable , W—Wireless remote receiver NRC 760 Wireless Remote Controller	
Power Requirements	230 V ±10%, 50/60 Hz Models	
Operating Temperature Differential	1 K intervals	
Temperature Set Point Range	5-35 °C	
Sensing Element	NTC Thermistor, 10 kΩ @ 25°C	
Body Material	Fire-retardant, Molded ABS	
Finish	Off White	
Electrical Ratings	Relay Output Contacts	5A(1A), 230 V, 50/60 Hz
	Fan Switch	5A(1A) , 230 V 50/60 Hz
Ambient/Storage Temperature Limits	5 to 30 °C / -30 to 50°C , 10% to 90% RH Non-condensing	
Wire Connections	Color-coded 18 AWG Stranded Copper Wire Leads	
Certification	CE and ISO 9000 (EN...requirements)	
Shipping Weight	0.23 kg (0.52 lb)	
Dimensions	86mm (L)×86mm (W)×15mm (D)	

Wiring Diagram



2 Wire On/Off



3 Wire On/Off

Application Overview

The NTC 760 Series Fan Coil Thermostat with LCD feature 2 Pipe System for Fan Coil Units. The Thermostats can be use with NENUTEC Fan Coil Motorised Valve NMVZ Series. It can be use with 2 Wire controls for Spring Return device (e.g NMVZ FCU Valve or NAFA Damper Actuator). For 3 Wire Application, it can be use with non-Spring return device. (e.g NAV valve actuator, NABA.... Ball valve actuator and NACA.... Damper Actuator). Please contact Telima / Nenutec or our Distributors for a complete solution

Head Office

TELIMA AG / NENUTEC
Schachenstrasse 80, Ch-8645, Jona, Switzerland
Tel: +41 55 224 4060 Fax: +41 55 224 4069
Email: info@telima.ch
website: www.nenutec.com

Asia/Pacific

NENUTEC Asia Pacific
32 Upper Serangoon View
#15-42 Singapore 534 209
Tel: +65 6489 1815 Fax: +65 6489 1816
Email: nenutec@singnet.com.sg