

NTC 780 Series

Fan Coil Thermostats with LCD

Optional Wireless Remote Controller



NENUTEC is proud to offer the NTC 780 series thermostat with LCD. It features a on/off control for heating and cooling with fan speed switch. The controllers are designed for use in 2-pipe and 4 Pipe Fan Coil units, and a variety of heating and cooling applications controlled by water valves and damper actuator.

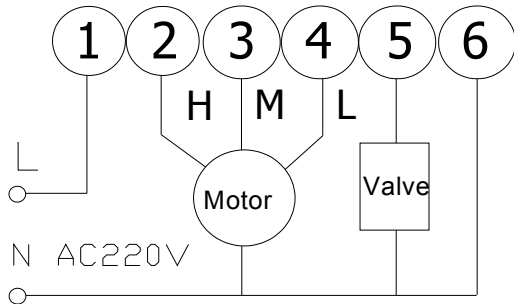
Feature

- Ultra slim wall-mounted Unit to match any decor
- Large easy to read Liquid Crystal Display
- System “OFF” position breaks all circuits
- Sleep Mode and Timer Setting
- Easy and simple user operation
- Optional Wireless Remote Controller

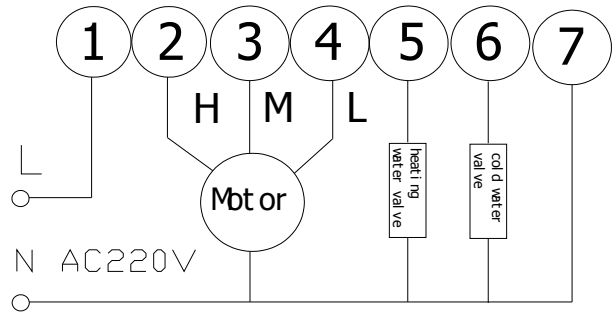
Specifications

| | | |
|------------------------------------|--|--------------------------|
| Product Model Numbers | NTC781 Heat-Off-Cool, 3-speed Fan, Single Output, Cooling Only or Heating Only, 2-pipe | |
| | NTC782 Heat-On-Off, 3-speed Fan, Single Output, Cooling and Heating, 4-pipe System | |
| | NTC783 (NTC781 with Wireless Receiver) | |
| | NTC784 (NTC782 with Wireless Receiver) | |
| | NRC 780 Wireless Remote Controller | |
| Power Requirements | 230 V ±10%, 50/60 Hz Models | |
| Operating Temperature Differential | 2 K intervals | |
| Temperature Set Point Range | 5-32 °C | |
| Sensing Element | NTC Thermistor, 10 kΩ @ 25°C | |
| Body Material | Fire-retardant, Molded ABS | |
| Finish | Off White | |
| Electrical Ratings | Relay Output Contacts | 10A(3A), 230 V, 50/60 Hz |
| | Fan Switch | 10A(3A) , 230 V 50/60 Hz |
| Ambient/Storage Temperature Limits | 5 to 30 °C / -30 to 50°C , 10% to 90% RH Non-condensing | |
| Wire Connections | Color-coded 18 AWG Stranded Copper Wire Leads | |
| Certification | CE and ISO 9000 (EN...requirements) | |
| Shipping Weight | 0.23 kg (0.52 lb) | |
| Dimensions | 86mm (L)×86mm (W)×13.5mm (D) | |

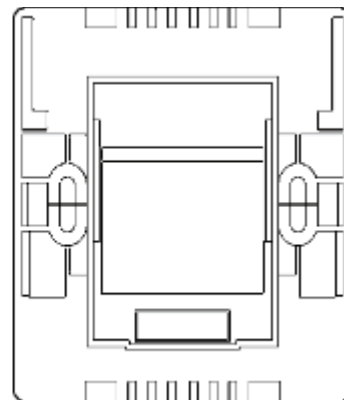
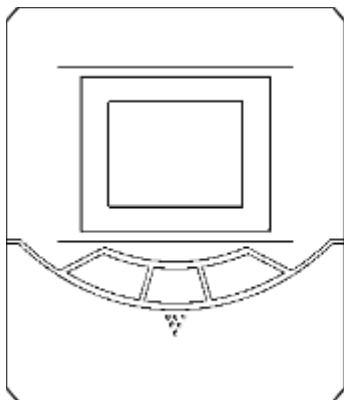
Wiring Diagram and Dimension



NTC 781/783—2 Pipe System



NTC 782/784 - 4 Pipe System



Dimension

Application Overview

The NTC 780 Series Fan Coil Thermostat with LCD feature 2 Pipe or 4 Pipe System for Fan Coil Units. The Thermostats can be use with NENUTEC Fan Coil Motorised Valve NVFC Series and the NRC 780 Wireless remote Controller for a complete HVAC solution.

Head Office

TELIMA AG / NENUTEC
Schachenstrasse 80, Ch-8645, Jona, Switzerland
Tel: +41 55 224 4060 Fax: +41 55 224 4069
Email: info@telima.ch
website: www.nenutec.com

Asia/Pacific

NENUTEC Asia Pacific
32 Upper Serangoon View
#15-42 Singapore 534 209
Tel: +65 6489 1815 Fax: +65 6489 1816
Email: nenutec@singnet.com.sg