

Ball Valve Rotary Actuator 2 Points and 3 Points Control



■ NENUTEC is proud to offer the 02 and 05 Nm ball valve actuators of the NABA...02/05(S1) Nm Series designed specifically applications for 2 point - 3 point control of cold and hot water.

■ NENUTEC high quality ball valve actuators have been designed for use with open/close and 3 point characterized ball valve and globe valve with the use of NENUTEC special adapter, fitted directly designed on top of the ball valve.

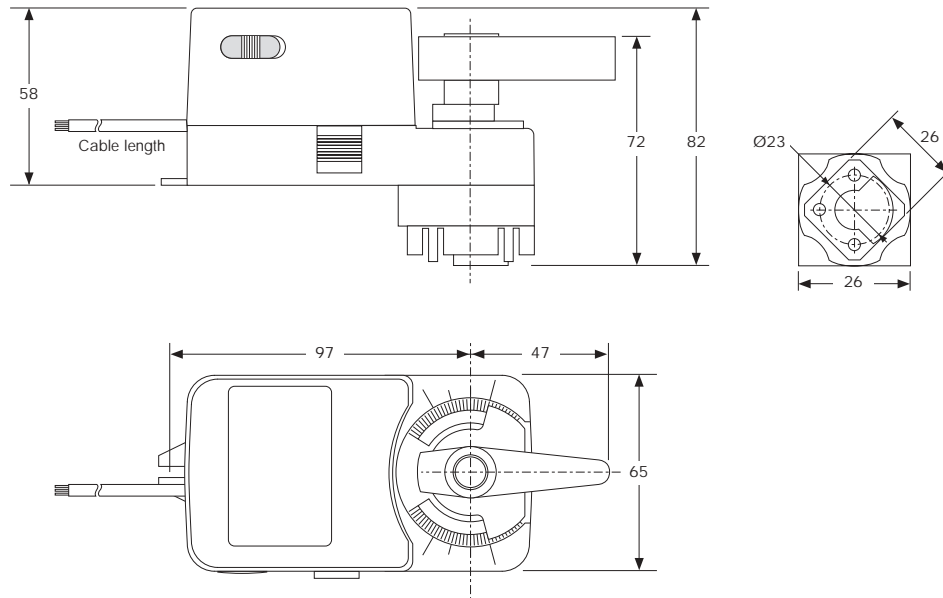
Product Features

- For 2-3 way ball valves from 15 mm up to 50 mm
- Torque 2 Nm or 5 Nm
- Nominal voltage AC/DC 24 V and AC 230 V
- 2 points and 3 points control
- Simple direct mounting,
square stem head for-fit out of rotary actuator
- Manual operation by push button when required
- Selectable direction of rotation CW/CCW
- 1 adjustable SPDT auxiliary switches when requested
- Actuators available with 1 m cable connection
- Customised version available, on request
- Ball valve rotary actuators are controlled by 2 point and 3 point control system and move the ball of the valve

Model Selection Table

Torque	Running Time	Power Supply	Auxiliary Switches	Model/Type
2 Nm	60...90 sec	AC/DC 24 V ±10%	No	NABA 1-02
			1 x SPDT	NABA 1-02S1
2 Nm	60...90 sec	AC 230 V ±10%	No	NABA 2-02
			1 x SPDT	NABA 2-02S1
5 Nm	70...100 sec	AC/DC 24 V ±10%	No	NABA 1-05
			1 x SPDT	NABA 1-05S1
5 Nm	70...100 sec	AC 230 V ±10%	No	NABA 2-05
			1 x SPDT	NABA 2-05S1

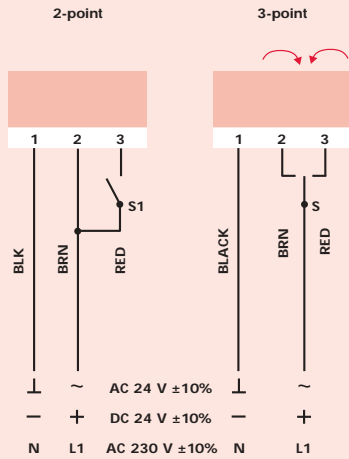
Actuator Dimensions (mm)



Technical Specification

	NABA...02	NABA...05
Torque	2 Nm	5 Nm
Valve Size	15 mm	15 mm – 50 mm
Power Supply	AC/DC 24 V	AC 230 V
Frequency	50-60 Hz	50-60 Hz
Power Consumption		
– Operating	2.0 W	2.0 W
– At the end stops	2.0 W	2.0 W
For wire sizing	4.0 VA	12.0 VA
Auxiliary switch rating	3(1.5) A / AC 250 V	3(1.5) A / AC 250 V
Protection class	II	II
Control Signals	2 point and 3 point	2 point and 3 point
Angle of Rotation	90° (95° mechanical)	90° (95° mechanical)
Angle Limiting	Mechanical end stops	Mechanical end stops
Weight approx.	0.5 kg	0.5 kg
Life Cycle	60,000 rotation	60,000 rotation
Sound Level	Max. 40 dB(A)	Max. 40 dB(A)
IP Protection	IP54	IP54
Ambient Temperature	-20°...+50°C / IEC 721-3-3	-20°...+50°C / IEC 721-3-3
Temperature medium	-20°...+115°C (ball valve)	-20°...+115°C (ball valve)
Inventory Temperature	-30°...+60°C / IEC 721-3-2	-30°...+60°C / IEC 721-3-2
Ambient Humidity	5...95% rH non condensing	5...95% rH non condensing
Maintenance	maintenance free	maintenance free
Impact	Typ I / EN 60730-1	Typ I / EN 60730-1
Standardize	89/336/CE	89/336/CE

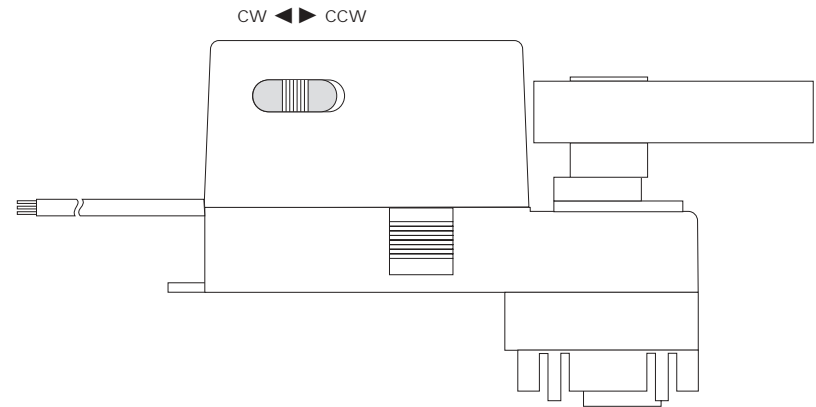
Wiring diagram NABA...02/05



S1 ON 0° → 90°
OFF 0° → 90°

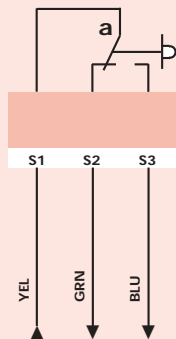
Changing direction of rotation

The rotation can be reversed by pushing the CCW/CW switch on the housing of actuator.



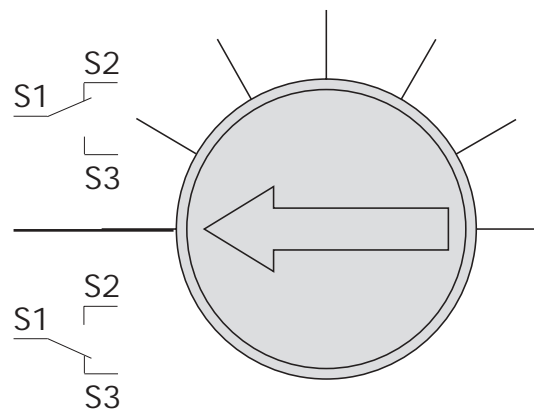
⚠ AC/DC 24 V: Connect via safety isolating transformer.
⚠ AC 230 V: To isolate from the main power supply, the system must incorporate a device which disconnects the phase conductors (with at least a 3 mm contact gap).

Auxiliary switches (S1)



3 (1.5) Amp AC 250 V
Actuator at 0° position

Auxiliary switch adjustment NABA...05(S1)

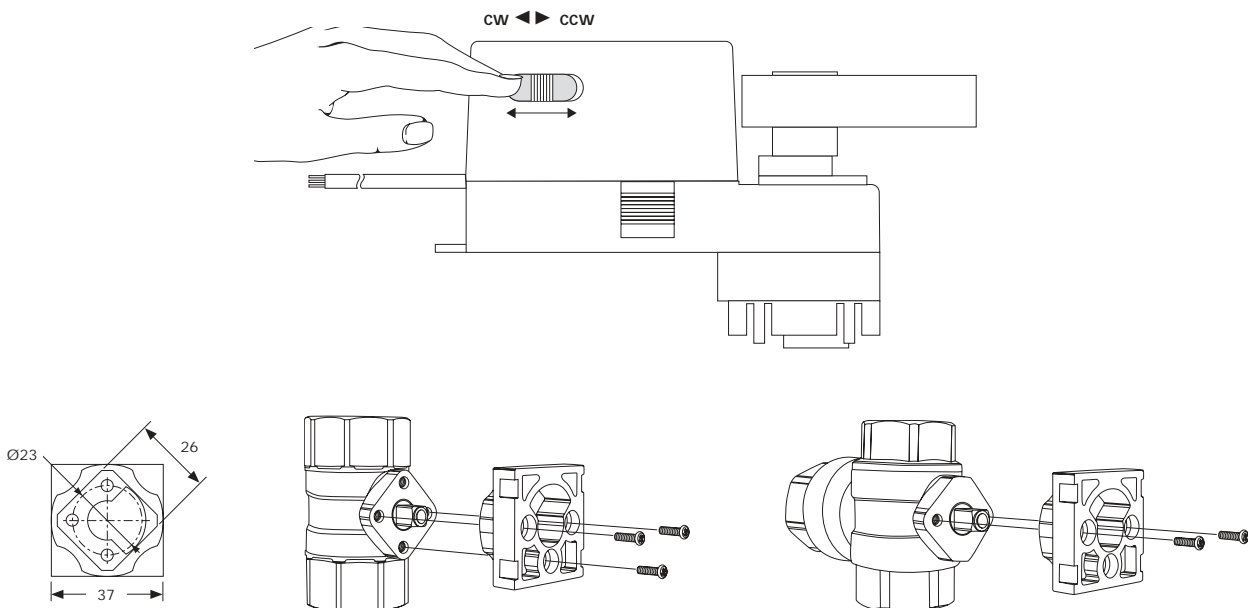


Built-in Microswitch Adjustment (for N...S1).
Move the screw of the microswitch.

OEM - customized version

TELIMA/NENUTEC offer you as well ball valve actuators in a customized version on request in your own brandname. Please contact us for further more detail information.

Fitting / Mounting ball valve actuator with 2-3 way valve



Important Remark

The NENUTEC NABA/NABM...(S1) ball valve actuator series can be equipped with a variety of NENUTEC products, Characterized 2- or 3-way Ball Valves the NVCB... series.

Consult NENUTEC representatives or factory for the specific requirements and material selection for your intended application.

Headquarter:



TELIMA AG

Schachenstrasse 80
CH-8645 Jona / Switzerland
Phone +41 55 224 40 60
Fax +41 55 224 40 69
e-mail: info@telima.ch
www.nenutec.com

For Asia / Pacific:

NENUTEC®

NENUTEC ASIA PACIFIC
32 Upper Serangoon View
15-42 Singapore 534 209
Phone +65 6489 1815
Fax +65 6489 1816
e-mail: nenutec@singnet.com.sg