



- NENUTEC is proud to offer the NAV series Electric Valve Actuator. These Actuator are mainly use with Globe Valve in the HVAC system to regulate the flow of water and steam in response to the demand of a controller.
- Complete range from 500N to 3000N
- 3 Point floating or Modulating
- 0-10VDC or 4-20mA Control Signal Selectable
- High close-off pressure satisfies demanding requirements of high-rise buildings and high-pressure pumping systems
- Self Stroking without Calibration
- Manual Over-ride Standard for 1800N and 3000N

Specifications

Actuating Force	See Table 1 for Selection
Power Supply	AC 24V
Frequency	50 / 60 Hz
Power Consumption	2.4 W
Protection Class	II
Control Signals	See Table 1 for Selection
Life Cycle	60,000 cycle
IP Protection	IP 42 for 500N/1000N : IP54 for 1800N/3000N
Ambient Temperature	-20°....50° as per IEC721-3-3
Ambient Humidity	5...95% rH (non Condensing)
Inventory Temperature	+70°C as per IEC 721-3-2
Stroke Length	Max 20 mm for 500N/1000N : Max 42mm for 1800N/3000N
Maximum Close off Pressure	See Table 2
Weight	See Table 2
Certification	CE and ISO 9000 (EN...requirements)

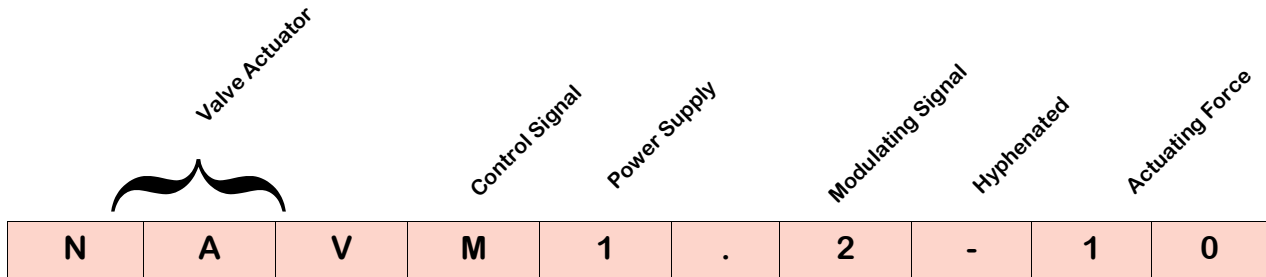


Table 1: Actuator Code Number Designations

Valve Actuator NAV
NAV = Valve Actuator
Control Signal
A = 3 Point Control M = Modulating Control
Power Supply
1 = AC 24
Modulating Signal (Applicable for Modulating Signal)
2 = 0—10 Vdc (Factory Default Setting) 4 = 4—20 mA (Factory Default Setting)
Actuating Force
05 = 500N 10 = 1000N 18 = 1800N 30 = 3000N

Table 1: Actuator Code Number Selection Guide

To Order

Specify the code number from the Actuator Code Selection Guide.

Repair Parts

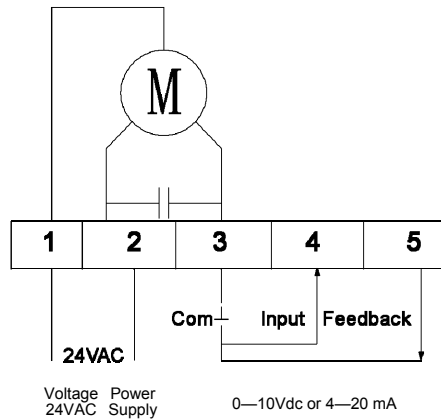
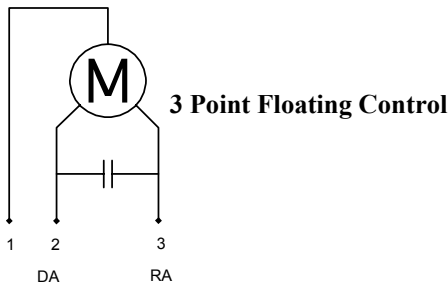
Available repair parts for NAV Series Actuator include replacement actuators. No other field repairs should be attempted.

Table 2 : Maximum Close-off Pressure (KPA) and Weight

Maximum Shutoff Pressure (KPA)							Weight
Model	Force (N)	DN20	DN25	DN32	DN40	DN50	KG
NAV..... – 05	500	1000	680	420	240	NA	0.8
NAV.... -- 10	1000	NA	NA	550	400	270	1.2
Maximum Shutoff Pressure (KPA)							Weight
Model	Force (N)	DN65	DN80	DN100	DN125	DN150	KG
NAV..... – 18	1800	340	150	90	NA	NA	4.8
NAV.... -- 30	3000	NA	NA	270	150	90	5.0

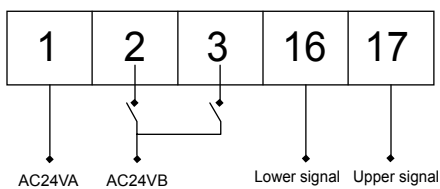
Figure 3: Actuator Wiring Diagram

For NAV...-05 and NAV...-10 (500N and 1000N)



For NAV...-18 and NAV...-30 (1800N and 3000N)

3 Point Floating Control



Modulating 0—10Vdc or 4—20 mA

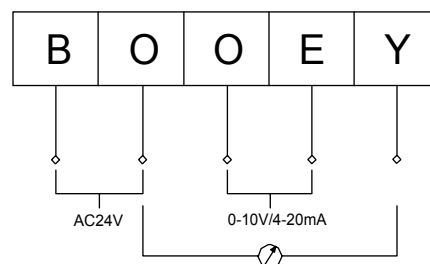
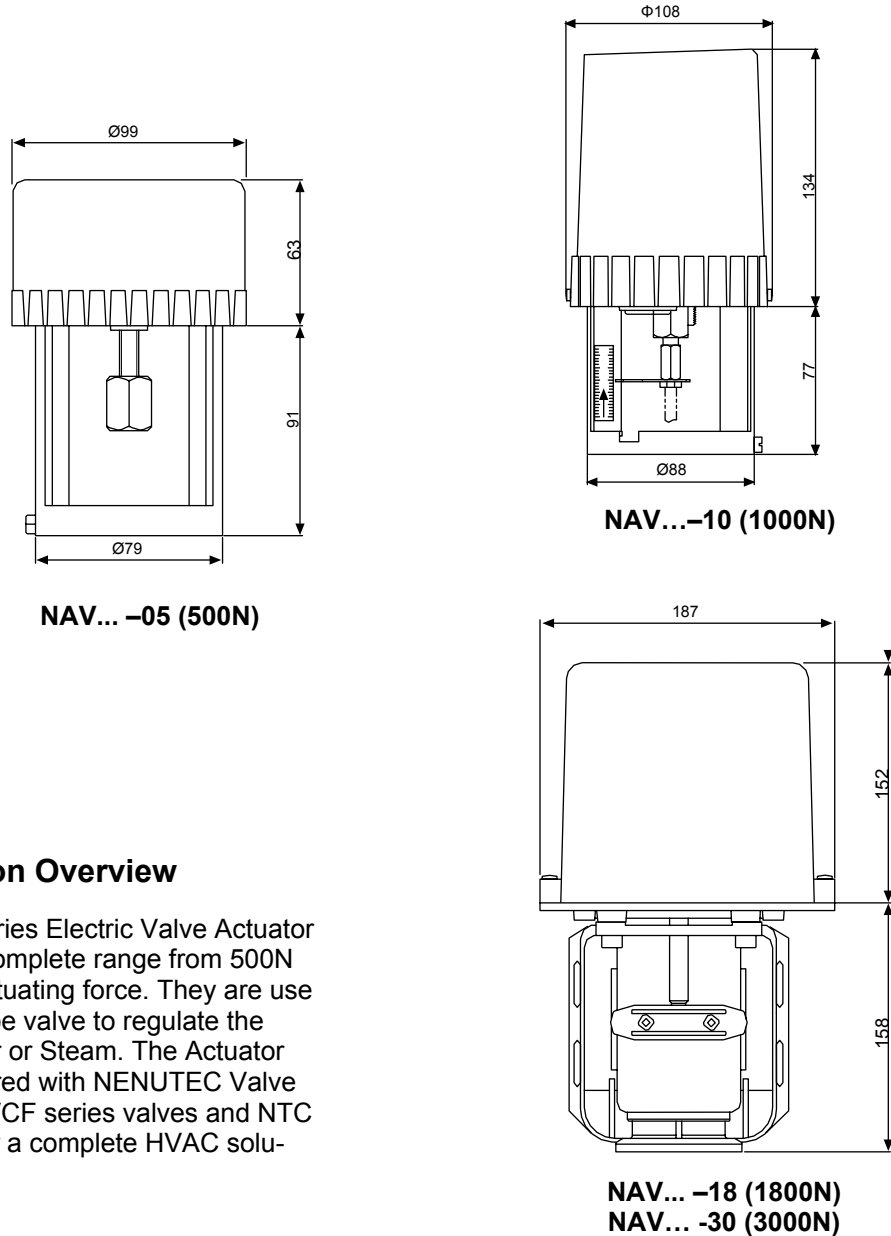


Figure 4 : Dimensions of Actuator (mm)



Application Overview

The NAV series Electric Valve Actuator features a complete range from 500N to 3000N actuating force. They are used with the globe valve to regulate the flow of water or Steam. The Actuator can be ordered with NENUTEC Valve NVCS or NVCF series valves and NTC controller for a complete HVAC solution.

Head Office

TELIMA AG / NENUTEC
Schachenstrasse 80, Ch-8645, Jona, Switzerland
Tel: +41 55 224 4060 Fax: +41 55 224 4069
Email: info@telima.ch
website: www.nenutec.com

Asia/Pacific

NENUTEC Asia Pacific Pte Ltd
32 Upper Serangoon View
#15-42 Singapore 534 209
Tel: +65 6489 1815 Fax: +65 6489 1816
Email: info@nenutecap.com
<http://www.nenutecap.com>