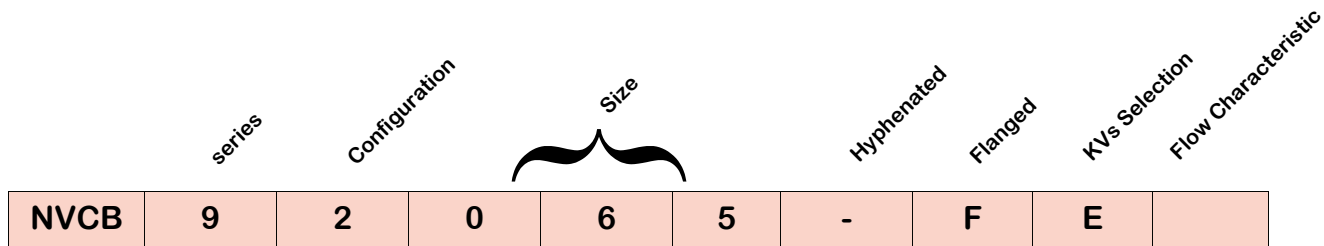




- NENUTEC present the NVCB Characterised Disc Flanged Ball valve. These valve are mainly use in the HVAC system to regulate the flow of water and steam in response to the demand of a controller.
- Range from DN 65 to DN 150
- 2 Way
- Forged brass body
- Low leakage factor of up to 0.01% of Kvs
- High close-off pressure actuator satisfies demanding requirements of high-rise buildings and high-pressure pumping systems
- PN 16 or 232 PSI system operating pressure
- Actuator can be factory or field installed
- Equal Percentage Flow Characteristic

## Specifications

Valve Body Pressure Rating	16 Bar PN16 (232 psig) Meets Requirements of ANSI B16.15, Class 250		
Fluid / Ambient Temperature Limits	-5 to 121 °C water at an Ambient Temperature of 40 °C		
Shipping & Storage Temperature Limits	-40 to 70 °C (-40 to 158 °F)		
Body Sizes	See Table 1: Valve Code Number Selection Guide		
Service	Chilled, Hot Water, up to 50% Glycol Solutions and Saturated steam 100 KPa		
Seat Leakage	0.01% of KVs		
Pipe Connection	Flanged DIN		
Body Materials	Body	Stem	Cast Iron—Polyester Coated Chrome Plate Brass
	Seat	Seat	PFTE
	Seal	Seal	EPDM Double O-Ring
	Ball	Ball	Chrome Plate Brass
Flow Characteristics	2 Way	Equal Percentage	
Maximum Close off Pressure	See Tables 2		



### Valve Code Number Designations

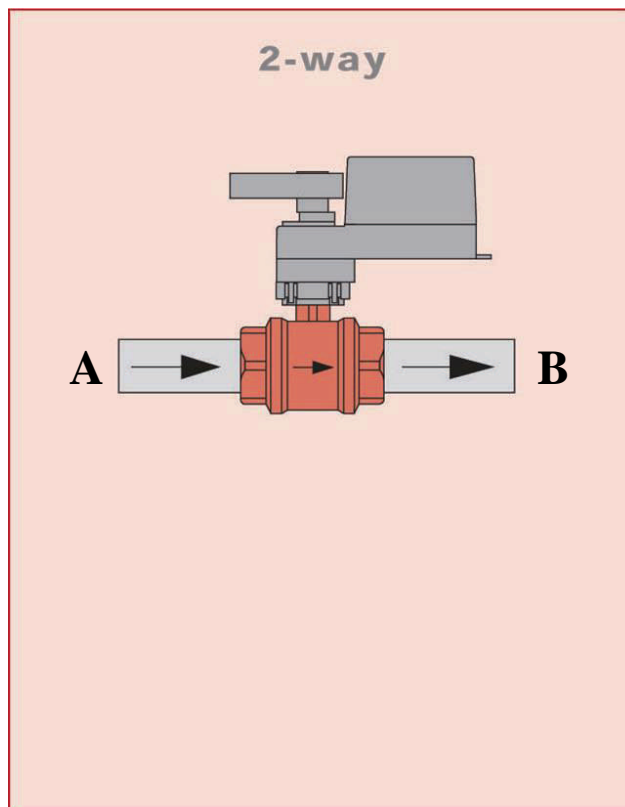
<b>Valve Body Type</b>											
NVCB 9 = NVCB 9000 Series Characterised Ball Valve Flanged											
<b>Configuration</b>											
2 = 2-way											
<b>Valve Size</b>											
065 = DN 65 080 = DN 80 100 = DN 100 125 = DN 125 150 = DN 150											
<b>Pipe Thread</b>											
F = Flanged DIN											
<b>KVs</b>											
	DN	65		80		100		125		150	
KVs		2 way	3 way	2 way	3 way	2 way	3 way	2 way	3 way	2 way	3 way
E		63	-	100	-	140	-	230	-	320	-

**Table 2 : Maximum Close-off Pressure KPA (PSI) with Actuator**

Maximum Shutoff Pressure KPA (PSI)							
Model	Torque (Nm)	Spring Return	DN65	DN80	DN100	DN125	DN150
NAF..... – 08	8	Yes	340 (50)	276 (40)	-	-	-
NAC.... -- 20	20	No	690 (100)	550 (80)	-	-	-
NAC.... -- 32	32	No	1000 (145)	690 (100)	690 (100)	690 (100)	400 (58)

### Piping Diagram

Remarks:  
 For application requiring a different flow pattern, please consult your NENUTEC representative

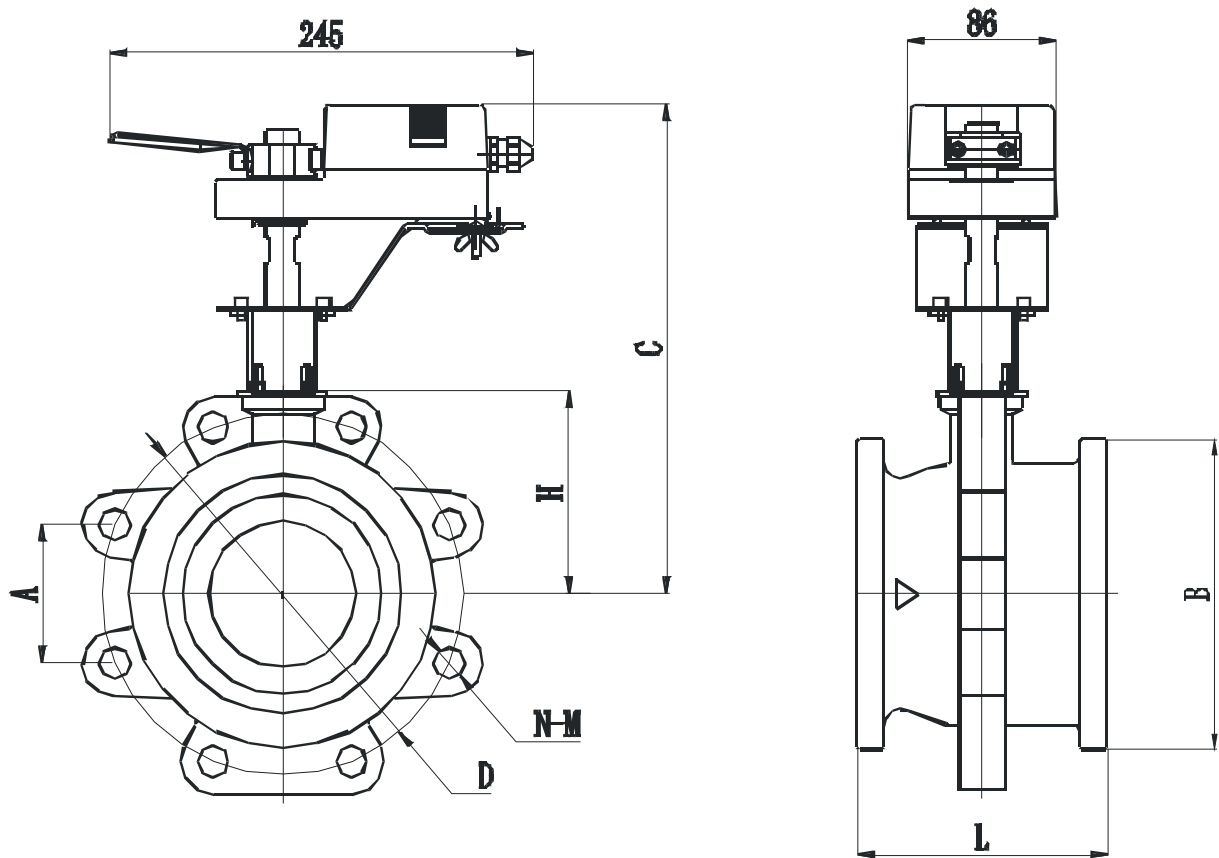


### Application Overview

The NVCB 9000 series feature are available in two-way Flanged. The Valve can be ordered with NENUTEC Actuator NAC../ NAF... and NTC.. / NPC.... controller for a complete HVAC solution.

**Table 3 : Dimensions of Valve Body (mm)**

Dimensions	DN (mm)	L	H	A	B	C	D	Bolt Holes
2 Way	65	93	86	44	Φ101	266	Φ145	4 x Φ18
	80	108	95	55	Φ125	275	Φ160	8 x Φ18
	100	120	104	69	Φ148	272	Φ180	8 x Φ18
	125	145	106.5	80	Φ180	284	Φ210	8 x Φ18
	150	168	131.5	92	Φ205	298	Φ240	8 x Φ22



**Europe Office**

TELIMA AG / NENUTEC  
 Schachenstrasse 80, Ch-8645, Jona, Switzerland  
 Tel: +41 55 224 4060 Fax: +41 55 224 4069  
 Email: info@telima.ch  
 website: www.nenutec.com

**Asia/Pacific/Middle East**

NENUTEC Asia Pacific Pte Ltd  
 780 Upper Serangoon Road  
 #02-05 Singapore 534 649  
 Tel: +65 6488 3548 Fax: +65 6280 9693  
 Email: info@nenutec.com.sg  
 http://www.nenutec.com.sg