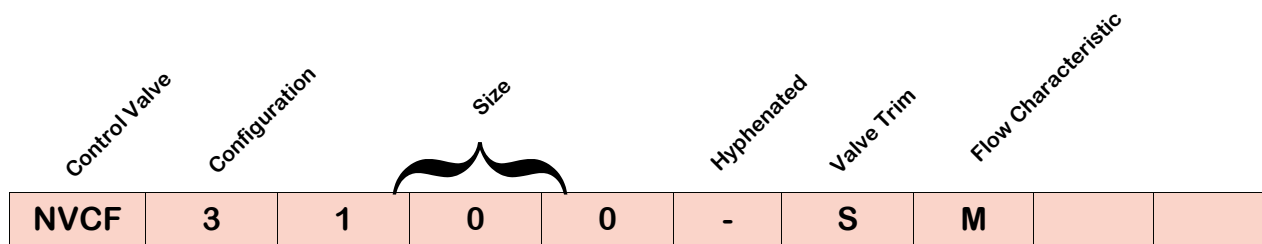




- NENUTEC is proud to offer the NVCF Flanged End Control Valve. These valve are mainly use in the HVAC system to regulate the flow of water and steam in response to the demand of a controller.
- Complete range from DN 20 to DN 150
- DN 20 to DN 50 on Request
- 2 Way Normally Open, 3 Way Mixing and Diverting
- Cast Iron or Steel Body
- Low leakage factor of up to 0.05%
- High close-off pressure actuator satisfies demanding requirements of high-rise buildings and high-pressure pumping systems
- PN 16 or 232 PSI system operating pressure
- Actuator can be factory or field installed
- Equal Percentage Flow Characteristic

Specifications

Valve Body Pressure Rating	232 psig (PN16 or 1,600 kPa) Meets Requirements of ANSI B16.15, Class 250, EN1561		
Fluid / Ambient Temperature Limits	2 to 120 °C water at an Ambient Temperature of 40 °C		
Shipping & Storage Temperature Limits	-40 to 70 °C (-40 to 158 °F)		
Body Sizes	See Table 1: Valve Code Number Selection Guide		
Service	Chilled and Hot Water, up to 50% Glycol Solutions		
Seat Leakage	0.05%		
Face to Face Dimensions	Meet requirement of DIN EN 1092-2		
Body Materials	Iron Trim	Body Stem Seat Seal	Cast Iron Stainless Steel Stainless Steel PTFE
	Steel Trim	Body Stem Seat Seal	Steel Stainless Steel Stainless Steel PTFE
Valve Stroke	DN 20 to DN 150	Max 39 mm	
Maximum Close off Pressure	See Tables 2		



Valve Code Number Designations

Valve Body Type
VB = NVCF Flanged End
Configuration
2 = 2-way 3 = 3-way
Valve Size
020 = DN 20 025 = DN 25 032 = DN 32 040 = DN 40 050 = DN 50 065 = DN 65 080 = DN 80 100 = DN 100 125 = DN 125 150 = DN 150
Valve Trim (Iron Trim available from DN 65 to DN 100)
I = Iron Trim S = Steel Trim
Flow Characteristic (For 3 Way Valve Only)
M = Mixing (2 in, 1 out) D = Diverting (1 in, 2 out)

To Order

Specify the code number from the Valve Code Number Selection Guide.

Repair Parts

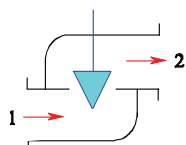
Available repair parts for NVCS Series Valves include replacement valve bodies and replacement actuators. No other field repairs should be attempted.

Table 2 : Flow Rate, KV Factor and Maximum Close-off Pressure (KPA) for PDTC 2 Way and 3 Way Electrically Actuated Valves

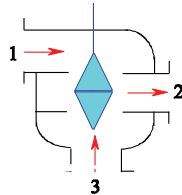
VALVE SIZE (mm)	Trim	DN65	DN80	DN100	DN125	DN150
Flow Rate (KV)		63	100	160	250	400
Valve Stroke (mm)	Max 39 mm					
Stroke Time (Sec)	110—180 sec					
Maximum Shutoff Pressure (KPA)						
Model	Force (N)	DN65	DN80	DN100	DN125*	DN150*
NAV..... – 18	1800	340	150	90	NA	NA
NAV.... -- 30	3000	NA	NA	270	600	600

***DN125 & DN150 are using Balanced Plug Type Valve**

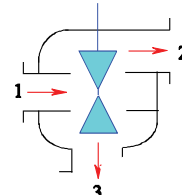
Flow Characteristics



2 Way Valve PTDC



3 Way Valve Mixing



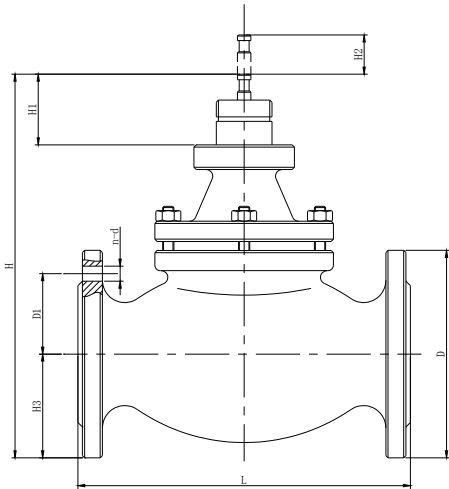
3 Way Valve Diverting

Application Overview

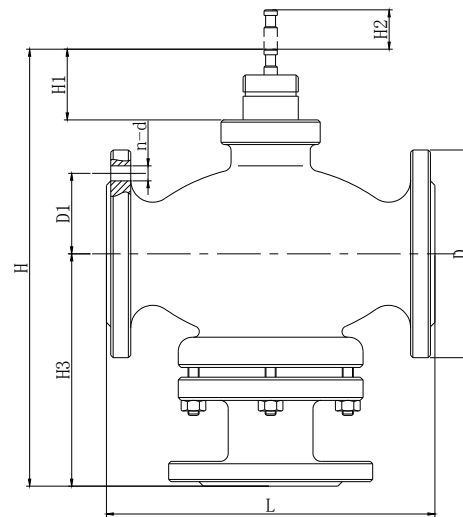
The NVCF control Valve feature both Iron and Steel Trim and are available in two-way configurations with Push-Down-to-Close (PDTC – normally open) with Flanged End. The Valve can be ordered with NENUTEC Valve Actuator NAV... and NTC controller for a complete HVAC solution.

Table 3 : Dimensions of Valve Body (mm)

Valve Body	DN (mm)	L	H	H1	H2	H3	D	D1	Bolt Holes
2 Way	65	290	341	66	39	93	185	145	4 x Φ18
	80	310	366	66	39	100	200	160	8 x Φ18
	100	350	390	66	39	110	220	180	8 x Φ18
	125	400	465	66	39	125	250	210	8 x Φ18
	150	480	516	66	39	143	285	240	8 x Φ22
3 Way	65	290	333	66	39	165	185	145	4 x Φ18
	80	310	358	66	39	180	200	160	8 x Φ18
	100	350	403	66	39	195	220	180	8 x Φ18
	125	400	500	66	39	230	250	210	8 x Φ18
	150	480	558	66	39	325	285	240	8 x Φ22



2 Way Valve Body



3 Way Valve Body

Europe

TELIMA AG / NENUTEC
 Schachenstrasse 80, Ch-8645, Jona, Switzerland
 Tel: +41 55 224 4060 Fax: +41 55 224 4069
 Email: info@telima.ch
 website: www.nenutec.com

Asia Pacific/Middle East

NENUTEC Asia Pacific Pte Ltd
 780 Upper Serangoon Road
 #02-05 Singapore 534 649
 Tel: +65 6488 3548 Fax: +65 6280 9693
 Email: info@nenutec.com.sg
 http://www.nenutec.com.sg