

Rotary Damper Actuator

Fast Running 8 / 16 Nm

Modulating Control



- NENUTEC is proud to offer the 08 and 16 Nm damper actuator of the NASM... 08/16 (S) Series of designed specifically applications into the HVAC and Light Industrial market.
- NENUTEC high quality damper actuators have been designed for use with fast running air damper, butterfly valve.

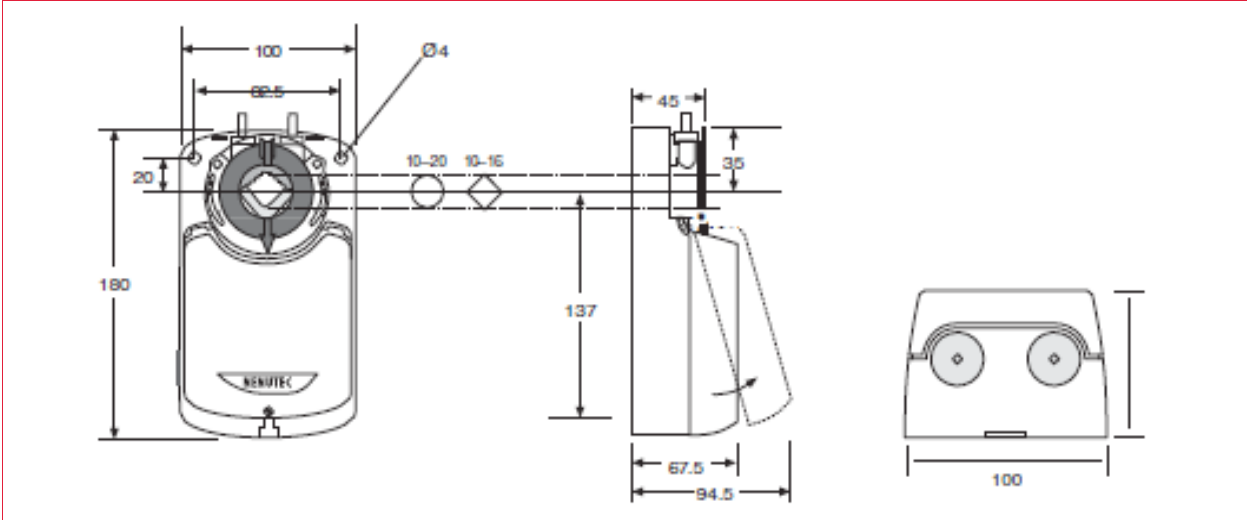
Product Features

- Torque 8 Nm and 16 Nm
- For damper size 1.5m² / 3.0m²
- Nominal voltage AC/DC 24V
- Modulating control
- 2 adjustable SPDT auxiliary switches when requested
- Shaft dimension Ø 10...20 mm / 10...16 mm □square
- Minimum shaft length 40 mm
- Selectable direction of rotation
- Adjustable angle of rotation between 0°...90°
- Universal Spindle Clamp for easy direct mounting
- Actuator available with 1 m cable connection

Model Selection Table

Torque	Running Time	Power Supply	Auxiliary Switches	Model/Type
8 Nm	8 sec	AC/DC 24V	No	NASM 1.1-08
			2 x SPDT	NASM 1.1-08S
16 Nm	16 sec	AC/DC 24V	No	NASM 1.1-16
			2 x SPDT	NASM 1.1-16S

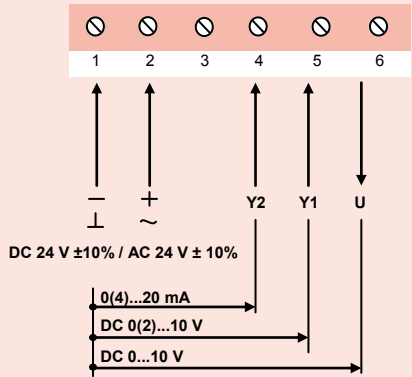
Actuator Dimensions (mm)



Technical Specification

	NASM1.1
Torque	8 Nm / 16 Nm
Damper Size	1.5 m ² / 3.0m ²
Power Supply	AC/DC 24 V
Frequency	50...60Hz
Power Consumption	
-Operating	8.5 W
-At the end stops	0.7 W
For wire sizing	10.5 VA
Auxiliary Switches Rating (Amp and Voltage)	3 (1.5) A / 230 V (for 24 V and 230 V)
Protection Class	II
Input Controls Signal	0(4)...20 mA or DC0(2)...10 V
Output Control Signal	DC0...10 V
Angle of Rotation	90° (95° mechanical)
Angle of Limiting	5°...85° in 5° step
Weight	1.2 Kg
Life Cycle	60,000 rotation
Sound Level	50 dB
IP Protection	IP54 (dust protected & protected against splash water)
Ambient Temperature	-20°...50° as per IEC 721-3-3
Inventory Temperature	-30°...+60° C / IEC 721-3-2
Ambient Humidity	5...95% RH
Maintenance	Maintenance free
Impact	Typ I / EN 60730-1
Standardize	89/336/CE

Wiring Diagram



Changing direction of rotation NASM1.1...(S) and adjusting the controls signals NACM1.1...

Control signal Y1
Input resistance

DC 0(2)...10 V
Ri 100 kΩ

Control signal Y2

0(4)...20 mA Input

Position signal U
Load resistance

DC 0(2)...10 V
> 50 kΩ

Microswitch **d**

DC 0...10 V
0...20 mA

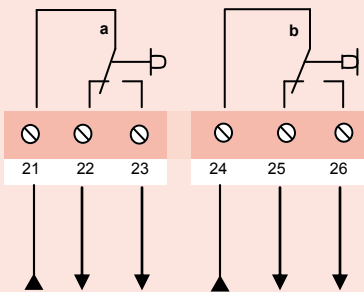


DC 2...10 V
4...20 mA



The control signal can be changed to DC 2...10 V and 4...20 mA by moving microswitch 1 to the ON position.

Auxiliary switches NASM1.1...(S)



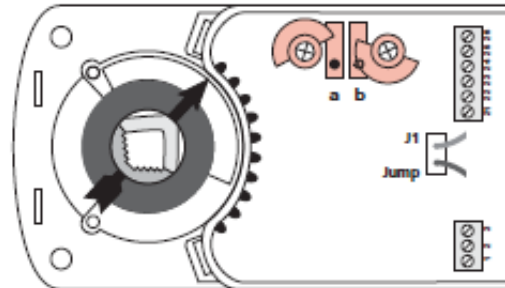
3 (1.5) Amp AC 230V
Actuator at 0° position

Auxiliary switch adjustment NASA...

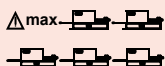
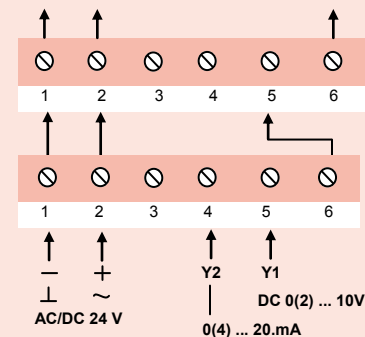
Factory setting

Switch **a** at 10°
Switch **b** at 80°

The switching position can be manually changed to any required position by turning the ratchet.



Parallel connection

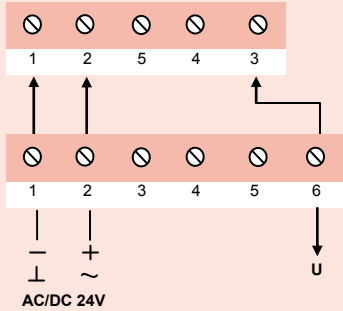


When NACM...(S) actuators are to be operated in parallel, the output signal U = DC 0(2)...10 V (Terminal 6) of the master actuator must be connected to Terminal 5 of the next slave actuator, etc.

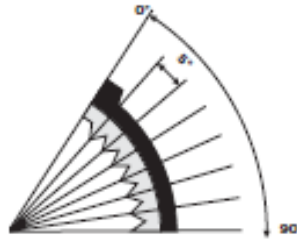
Note :

Up to 5 actuators can be operated in parallel.

Position transmitter NPG



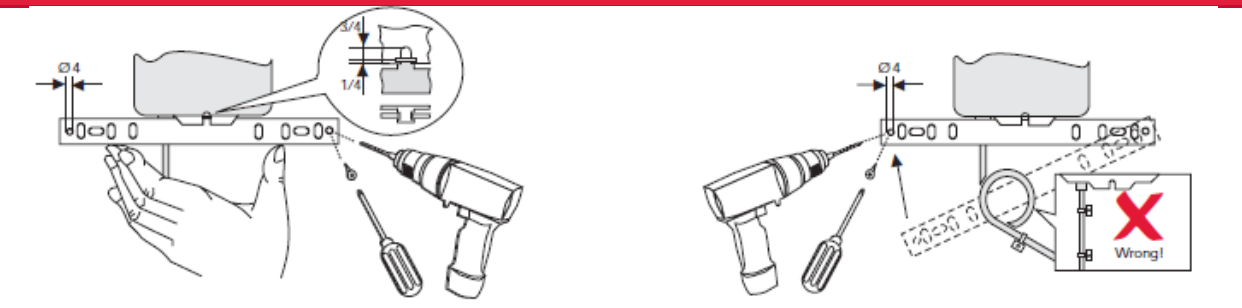
Angle-of rotation limiting



Releasing the adaptor



Installation / Mounting



OEM Customised Version on Request

TELIMA/NENUTEC offers you actuators in customised versions, e.g. with your own brand name, with colour-coordinated applications and with your particular demand. Please contact us for further information.

Important Remark

Consult NENUTEC representatives for specific requirements and material selections for your intended application.



This actuator includes electrical and electronic components and may not be disposed as household garbage. Please consider the local valid legislation.



AC / DC 24 V: Connect via safety isolating transformer.

AC 230 V: To isolate from the main power supply, the system must incorporate a device which disconnects the phase conductor (with at least a 3 mm contact gap).

Main Office :

NENUTEC®

NENUTEC ASIA PACIFIC PTE LTD

7030 Ang Mo Kio Ave 5 #08-55

Northstar@AMK

Singapore 569 880

Phone : +65 6570 3233

Fax : +65 6570 6783

Email : info@nenutec.com.sg

Website : www.nenutec.com.sg

Headquarter:



TELIMA AG

Schachenstrasse 80

CH-8645 Jona / Switzerland

Phone : +41 55 212 40 60

Fax : +41 55 212 40 69

Email : info@telima.ch

Website : www.nenutec.com