

## Rotary Damper Actuator

Fast Running 8 / 16 Nm

2 Points and 3 Points Control



- NENUTEC is proud to offer the 08 and 16 Nm damper actuator of the NASA... 08/16 (S) Series of designed specifically applications into the HVAC and Light Industrial market.
- NENUTEC high quality damper actuators have been designed for use with fast running air damper, butterfly valve.

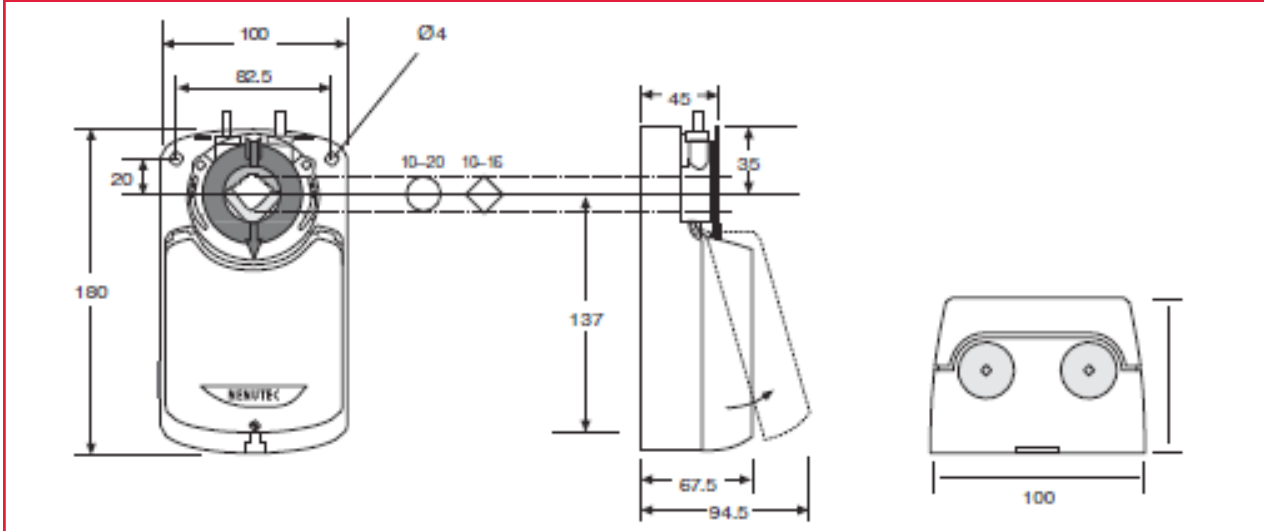
### Product Features

- 2 points and 3 points control
- Shaft dimension Ø 10...20 mm / 10...16 mm □square
- Universal Spindle Clamp for easy direct mounting
- Anti-rotation bracket provided for stability
- Manual over ride by push button when required
- Adjustable angle of rotation between 0°...90°
- Selectable direction of rotation
- Parallel connection up to 5 actuators
- 2 adjustable SPDT auxiliary switches when requested
- Power saving at end stops
- Actuators available with 1 m cable on request

### Model Selection Table

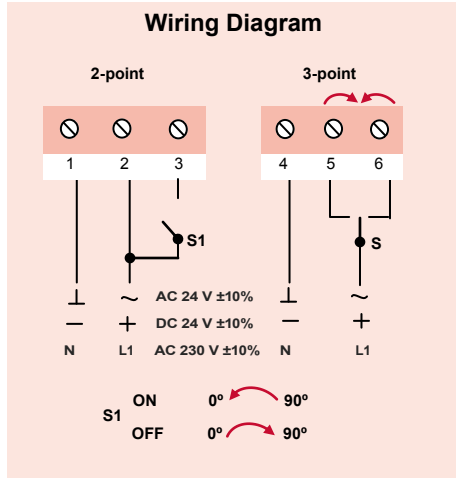
Torque	Running Time	Power Supply	Auxiliary Switches	Model/Type
8 Nm	8 sec	AC/DC 24V	No	NASA 1-08
			2 x SPDT	NASA 1-08S
		AC 230V ±10%	No	NASA 2-08
			2 x SPDT	NASA 2-08S
16 Nm	16 sec	AC/DC 24V	No	NASA 1-16
			2 x SPDT	NASA 1-16S
		AC 230V ±10%	No	NASA 2-16
			2 x SPDT	NASA 2-16S

## Actuator Dimensions (mm)



## Technical Specification

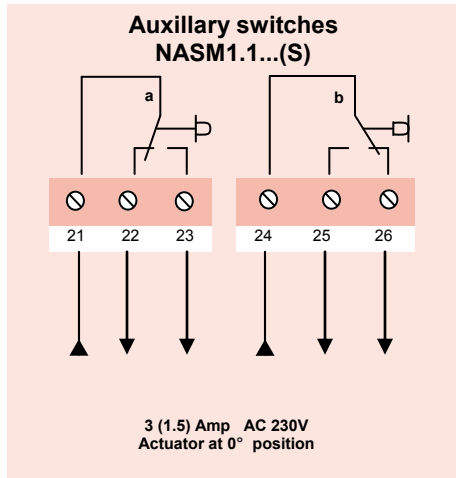
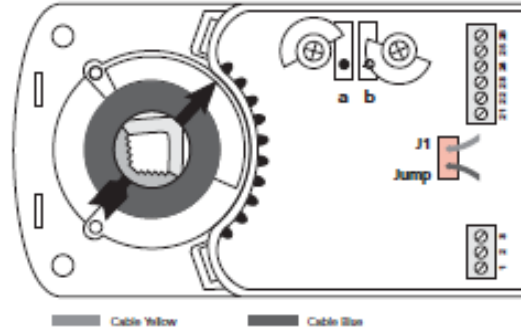
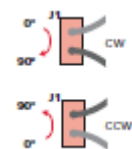
	NASA 1...(S)	NASA 2...(S)
Torque	8 Nm / 16 Nm	
Damper Size	1.5 m <sup>2</sup> / 3.0m <sup>2</sup> / 4.5m <sup>2</sup>	
Power Supply	AC/DC 24 V	AC 230 V ±10%
Frequency	50...60Hz	
Power Consumption		
-Operating	7.5 W	11.2 W
-At the end stops	0.5 W	2.5 W
For wire sizing	13.0 VA	
Auxiliary Switches Rating (Amp and Voltage)	3 (1.5) A / 230 V (for 24 V and 230 V)	
Protection Class	II	
Controls Signal	2 Point and 3 Point	
Angle of Rotation	90° (93° mechanical)	
Angle of Limiting	5°...85° in 5° step	
Weight	1.2 Kg	
Life Cycle	60,000 rotation	
Sound Level	50 dB	
IP Protection	IP54 (dust protected & protected against splash water)	
Ambient Temperature	-20°...50° as per IEC 721-3-3	
Inventory Temperature	-30°...+60° C / IEC 721-3-2	
Ambient Humidity	5...95% RH	
Maintenance	Maintenance free	
Impact	Typ I / EN 60730-1	
Standardize	89/336/CE	



### Changing direction of rotation NASA...

The direction of rotation can be changed by reversing Jumper J1

Factory setting

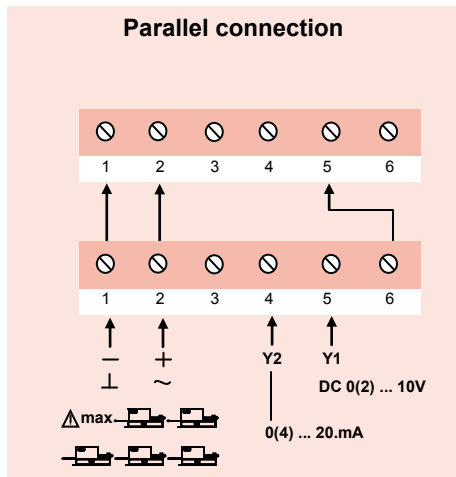
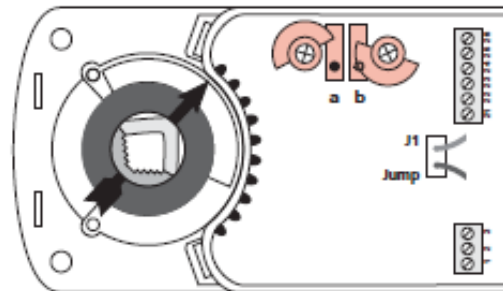


### Auxiliary switch adjustment NASA...

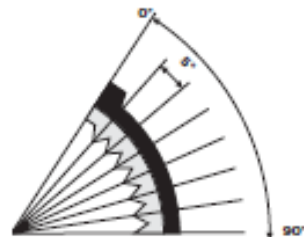
Factory setting

Switch a at 10°

The switching position can be manually changed to any required position by turning the ratchet.



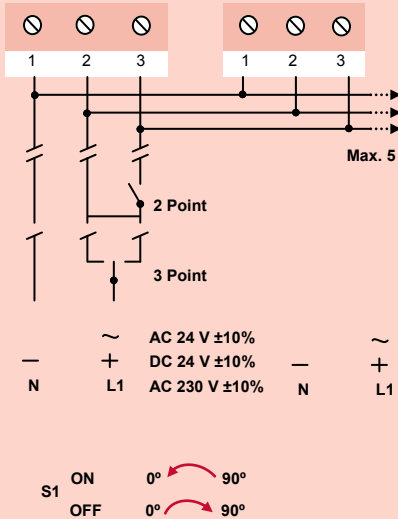
### Angle-of rotation limiting



### Releasing the adaptor



#### Parallel connection NASA....(S)



#### Parallel connection

Parallel connection 2 points and 3 points control can be applicable up to 5 actuators.

#### Important Remark

The NENUTEC NASA/Fast-Running... actuator series can be equipped with a variety of NENUTEC products, Characterized Ball Valves the NVCB... series, open-closed version, the NMBV... Butterfly Valves series.

Consult NENUTEC representatives or factory for the specific requirements and material selection for your intended application.

#### OEM Customised Version on Request

TELIMA/NENUTEC offers you actuators in customised versions, e.g. with your own brand name, with colour-coordinated applications and with your particular demand. Please contact us for further information.

#### Important Remark

Consult NENUTEC representatives for specific requirements and material selections for your intended application.



This actuator includes electrical and electronic components and may not be disposed as household garbage. Please consider the local valid legislation.



AC / DC 24 V: Connect via safety isolating transformer.  
 AC 230 V: To isolate from the main power supply, the system must incorporate a device which disconnects the phase conductor (with at least a 3 mm contact gap).

#### Main Office :

## NENUTEC®

**NENUTEC ASIA PACIFIC PTE LTD**

7030 Ang Mo Kio Ave 5 #08-55

Northstar@AMK

Singapore 569 880

Phone : +65 6570 3233

Fax : +65 6570 6783

Email : info@nenutec.com.sg

Website : www.nenutec.com.sg

#### Headquarter:



**TELIMA AG**

Schachenstrasse 80

CH-8645 Jona / Switzerland

Phone : +41 55 212 40 60

Fax : +41 55 212 40 69

Email : info@telima.ch

Website : www.nenutec.com