

NDPS 2000

Differential Pressure Switch

For Air and Gas



- NENUTEC is proud to offer the NDPS 2000 Differential Pressure Switch. They are designed for use in air or gases where proof of airflow is needed for proper system operation

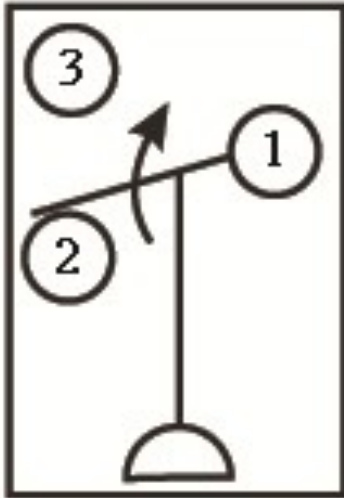
Features & Application

- Clogged Filter Detection
- Proof of Airflow Needed
- Max Pressure/Airflow Control for variable Volume Systems
- Visible scale reading for easy set point adjustment

Specifications

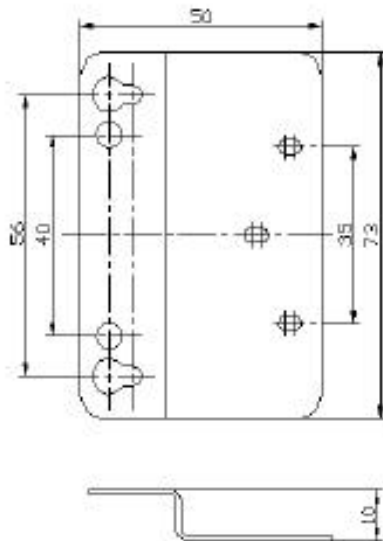
Model / Range	NDPS 2001	30 Pa to 300 Pa
	NDPS 2002	50 Pa to 500 Pa
	NDPS 2003	100 Pa to 500Pa
	NDPS 2003	100 Pa to 1000Pa
Operating Pressure Differential		40 to 60 Pa
Max Allowable Over Pressure		1000 Pa
Electrical Rating		2A , 24 VAC to 277VAC , 50/60 Hz
Contact Control		SPDT
Body Material		ABS
Tubing Connection		P1 (+) and P2 (-)
Mounting Accessories Included		Φ6.2mm x 1.8m tubing, L-Bracket and 3 Screws
IP Protection		IP54
Ambient Temperature		-20°....50° as per IEC721-3-3
Ambient Humidity		5....95% rH (non Condensing)
Inventory Temperature		+70°C as per IEC 721-3-2
Certification		CE and ISO 9000 (EN...requirements)
Shipping Weight		0.1 kg (0.22 lbs)
Dimension		Φ81 x 53 mm

Wiring Diagram and Dimension

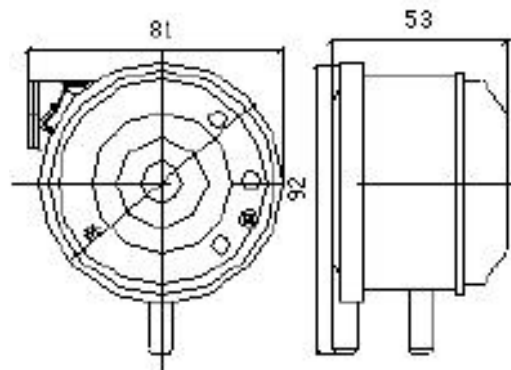


On Decrease in Pressure Differential, contact arm makes common (1) to (2) Terminal

On Increase in Pressure Differential, contact arm makes common (1) to (3) Terminal



Bracket Dimension



Overall Dimension

Main Office :



NENUTEC ASIA PACIFIC PTE LTD
 7030 Ang Mo Kio Ave 5 #08-55
 Northstar@AMK
 Singapore 569 880
 Phone : +65 6570 3233
 Fax : +65 6570 6783
 Email : info@nenutec.com.sg
 Website : www.nenutec.com.sg

Headquarter:



TELIMA AG
 Schachenstrasse 80
 CH-8645 Jona / Switzerland
 Phone : +41 55 212 40 60
 Fax : +41 55 212 40 69
 Email : info@telima.ch
 Website : www.nenutec.com