

NPG-1

Position Transmitter

Liquid Crystal Display



- NPG-1 Position Transmitter
- The position transmitter will be used for manual remote control and or for limiting of angle of rotation for modulating control actuators by air dampers in ventilation and climate installations

Product Features

- Large LCD Display
- Position set point range 0...100% for 0...90° <
- Low set point limit (L) 0...100%
- High set point limit (H) 0...100%
- Position set point in 1%
- Power supply AC/DC24V or AC230V
- For modulating air damper actuators
- Selectable input signal DC0...10V or DC2...10V
- Housing material PC-ABS
- Surface mounting
- Front mounting
- Flush mounting
- C-clamp connection
- Retain last entered settings of set point on power resumption
- Customized version on request
- Position transmitter fulfils the CE requirements

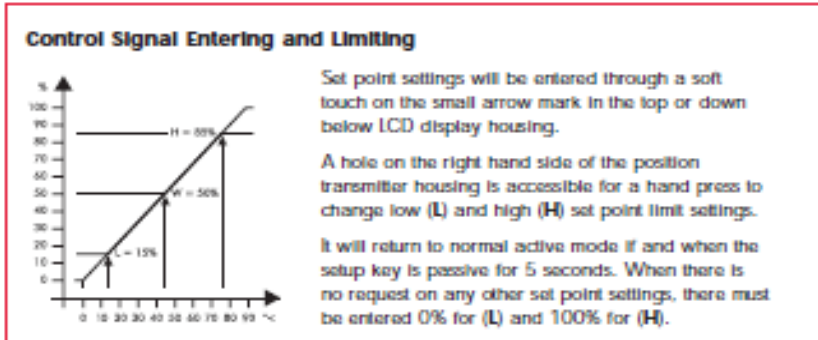
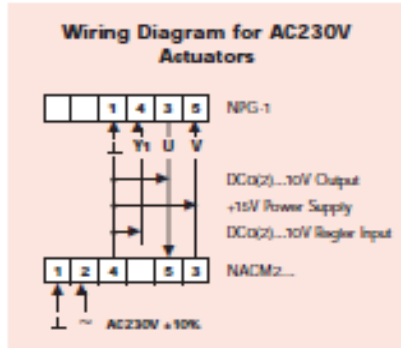
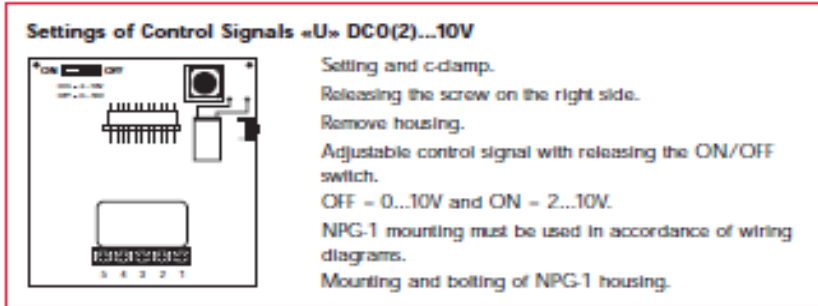
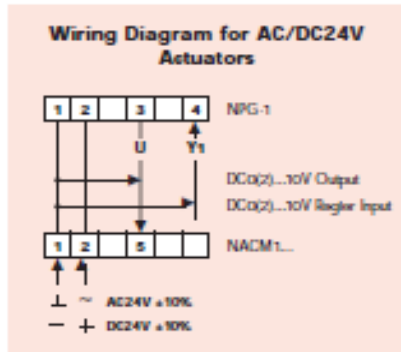
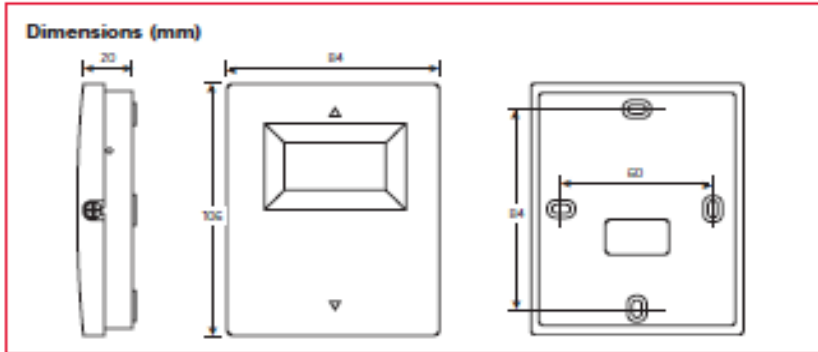
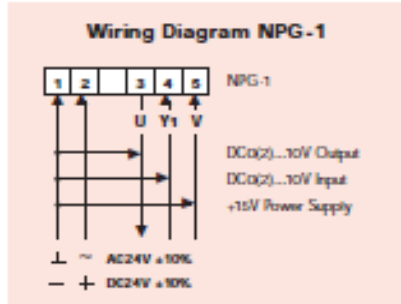
Model Selection Table

NPG-1 Position Transmitter

AC/DC24V or DC+15V

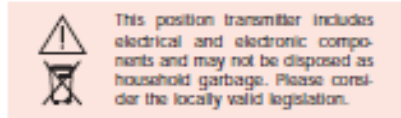
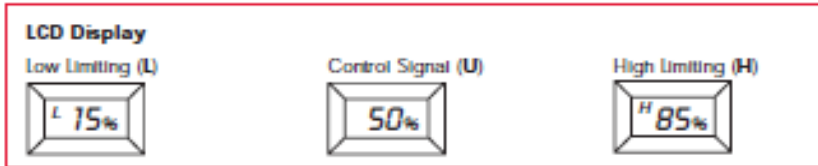
Technical Specification

	NPG-1
Power Supply	AC/DC24V ±10% or DC+15V of AC230V actuator
Frequency	50-60 Hz
Power Consumption / Operating	1.0 W
For Wire Sizing	2.0 VA
Weight	0.150 kg
Control Signal Y1	DC0...10V or DC2...10V selectable
Input Impedance Ri	100 k Ohm
Control Signal U	DC0...10V factory settings
Load Resistance	100'000 Ohm
Position Set Point / Working Range	0...100% for 0...90° <
Position Set Point / Low (L) Limiting	0...100% for 0...90° <
Position Set Point / High (H) Limiting	0...100% for 0...90° <
Protection Class	III
IP Protection	IP40
Cable Connection	on request
Site Conditions:	
- Ambient Temperature	0°...+50°C
- Inventory Temperature	30°...+60°C
- Ambient Humidity	5...95% r.H. non-condensing
Maintenance	Maintenance free
EMV	CE in accordance with 89/336/EWG



Impact: The damper actuator will be controlled by an NPG-1 position transmitter with an analog control signal of DC 0...10 V or DC 2...10V.

A hole on the right hand side of the position transmitter housing is accessible for a hand press to change low (L) and high (H) set point limit settings. It will return to normal active mode if and when the setup key is passive for 5 seconds. When there is no request on any other set point settings, there must be entered 0% for (L) and 100% for (H).



Main Office :

NENUTEC®
NENUTEC ASIA PACIFIC PTE LTD
 7030 Ang Mo Kio Ave 5 #08-55
 Northstar@AMK
 Singapore 569 880
 Phone : +65 6570 3233
 Fax : +65 6570 6783
 Email : info@nenutec.com.sg
 Website : www.nenutec.com.sg

Headquarter:


TELIMA AG
 Schachenstrasse 80
 CH-8645 Jona / Switzerland
 Phone : +41 55 212 40 60
 Fax : +41 55 212 40 69
 Email : info@telima.ch
 Website : www.nenutec.com