

NABM Series

Ball Valve Actuator 10 Nm

Modulating control



- NABM...10 (S1) series
- NENUTEC standard valve actuators are especially designed and produced for applications in the HVAC systems.
- Our wide range of NENUTEC standard valve actuators has been developed to operate and position ball valves of different sizes.

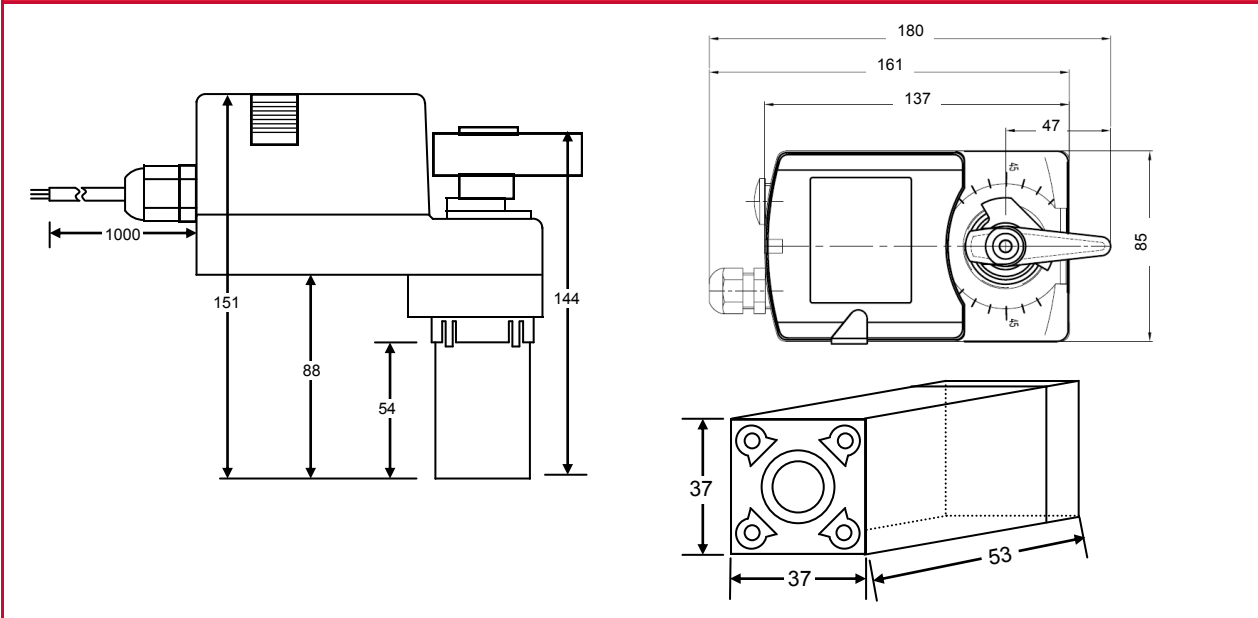
Product Features

- Torque 10 Nm
- Valve size DN40(1½"), DN50(2")
- Power Supply AC/DC 24 V
- Control Modulating DC 0(2)...10 V
- 1 adjustable auxiliary switch (SPDT)
- Shaft dimensions
 - 9.0 mm square (fix)
- Selectable direction of rotation
- Actuator with 1000 mm cable connection
- Customer version on request

Model Selection Table

Torque	Running Time	Power Supply	Auxiliary Switch	Model / Type
10 Nm	100...150 sec	AC/DC 24 V ± 10%	No	NABM 1.1-10
10 Nm	100...150 sec	AC/DC 24 V ± 10%	1 x SPDT	NABM 1.1-10

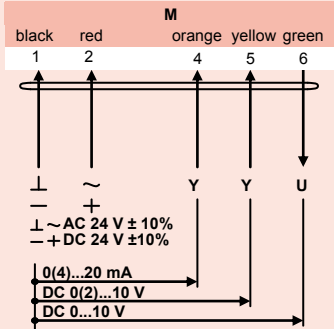
Actuator Dimensions (mm)



Technical Specifications

NABM 1.1...(S1)	
Torque	10 Nm
Valve Size	DN40(1½"), DN50(2")
Shaft dimensions	□ 9.0 mm square (fix)
Power Supply	AC/DC 24 V ± 10%
Frequency	50 - 60 Hz
Control Signal (Input)	DC 0(2)...10 V
Position Signal (Output)	DC 0...10 V
Power Consumption	
- Operating	6.0 W
- End Position	2.0 W
For Wire Sizing	6.5 VA
Protection Class	III
Angle of Rotation	0°...90° (95° mechanical)
Angle of Limiting	mechanical end stop
Weight	< 1.1 Kg
Life Cycle	60'000 rotation
Sound Level	40 dB (A)
IP Protection	IP 54 (dust protected & protected against splash water)
Operating Temperature	-20°...+50° C / IEC 721-3-3
Non-Operating Temperature	-30°...+60° C / IEC 721-3-2
Ambient Humidity	5%...95% rH non condensing / EN 60730-1
Maintenance	Maintenance free
Mode of Operation	Type I / EN 60730-1
EMC	CE according to 89 / 336 / EEC

Wiring Diagram NABM 1.1...(S1) Power Supply AC/DC 24 V

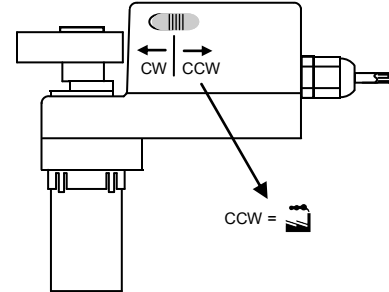


Changing Direction of Rotation NABM 1.1...(S1)

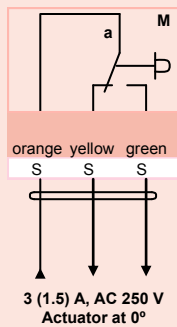
Factory-set CCW!

The direction of rotation can be changed by pushing the CW/CCW switch on the actuator's housing.

Ball valve actuators must operate CCW!



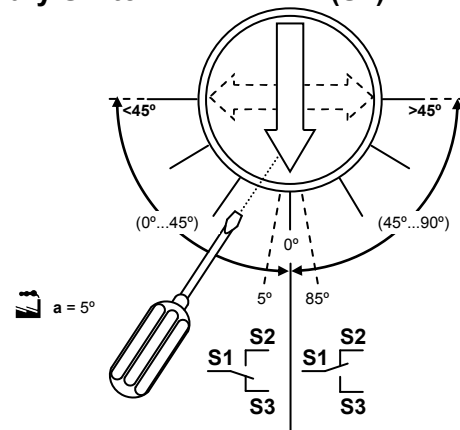
Wiring Diagram NABM 1.1...(S1) Auxiliary Switch



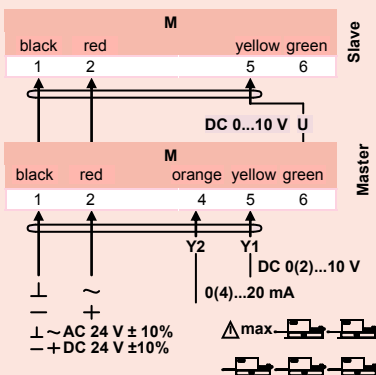
Adjustment of Auxiliary Switch NABM 1.1...(S1)

Switch a factory-set at 5°

The auxiliary switch can be optimally adjusted between 0°...90°.



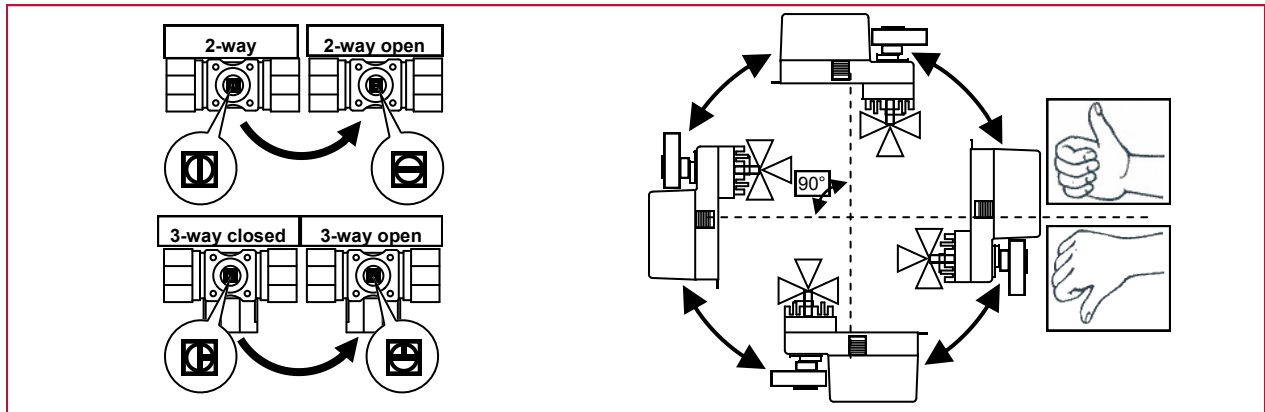
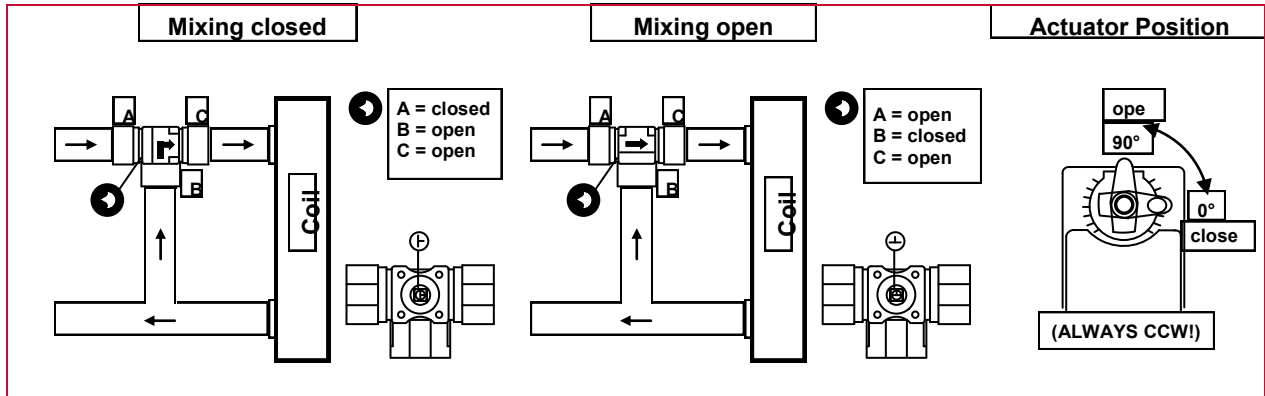
Wiring Diagram NABM 1.1...(S1) Parallel Connection



Remark

When NABM...(S1) actuators operate in parallel, the output signal U = DC 0...10 V (terminal 6) of the master actuator must be connected to terminal 5 of the next slave actuator.

The power consumption must be observed.



OEM Customised Version on Request

TELIMA/NENUTEC offers you actuators in customised versions, e.g. with your own brand name, with colour-coordinated applications and with your particular demand. Please contact us for further information.

Important Remark

Consult NENUTEC representatives for specific requirements and material selections for your intended application.



This actuator includes electrical and electronic components and may not be disposed as household garbage. Please consider the local valid legislation.



AC / DC 24 V: Connect via safety isolating transformer.
AC 230 V: To isolate from the main power supply, the system must incorporate a device which disconnects the phase conductor (with at least a 3 mm contact gap).

Main Office :



NENUTEC ASIA PACIFIC PTE LTD
7030 Ang Mo Kio Ave 5 #08-55
Northstar@AMK
Singapore 569 880
Phone : +65 6570 3233
Fax : +65 6570 6783
Email : info@nenutec.com.sg
Website : www.nenutec.com.sg

Headquarter:



TELIMA AG
Schachenstrasse 80
CH-8645 Jona / Switzerland
Phone : +41 55 212 40 60
Fax : +41 55 212 40 69
Email : info@telima.ch
Website : www.nenutec.com