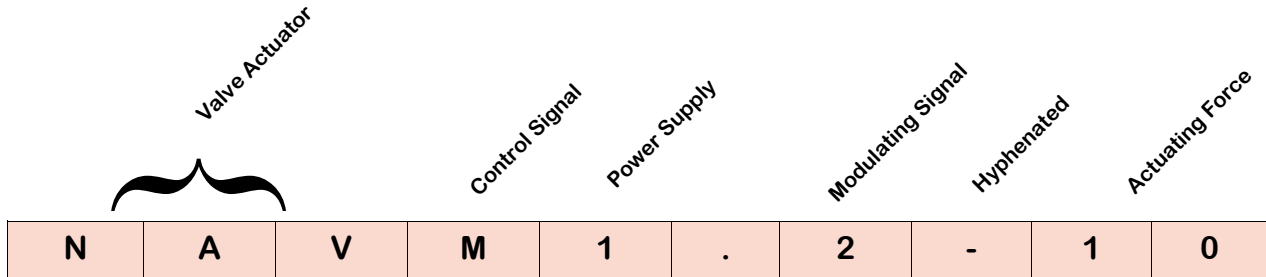




- NENUTEC is proud to offer the NAV series Electric Valve Actuator. These Actuator are mainly use with Globe Valve in the HVAC system to regulate the flow of water and steam in response to the demand of a controller.
- Complete range from 500N to 3000N
- 3 Point floating or Modulating
- 0-10VDC or 4-20mA Control Signal Selectable
- High close-off pressure satisfies demanding requirements of high-rise buildings and high-pressure pumping systems
- Self Stroking without Calibration
- Manual Over-ride Standard for 1800N and 3000N

## Specifications

Actuating Force	See Table 1 for Selection
Power Supply	AC 24V
Frequency	50 / 60 Hz
Power Consumption	2.4 W
Protection Class	II
Control Signals	See Table 1 for Selection
Life Cycle	60,000 cycle
IP Protection	IP 42 for 500N/1000N : IP54 for 1800N/3000N
Ambient Temperature	-20°...50° as per IEC721-3-3
Ambient Humidity	5...95% rH (non Condensing)
Inventory Temperature	+70°C as per IEC 721-3-2
Stroke Length	Max 20 mm for 500N/1000N : Max 42mm for 1800N/3000N
Maximum Close off Pressure	See Table 2
Weight	See Table 2
Certification	CE and ISO 9000 (EN...requirements)



**Table 1: Actuator Code Number Designations**

<b>Valve Actuator NAV</b>
NAV = Valve Actuator
<b>Control Signal</b>
A = 3 Point Control M = Modulating Control
<b>Power Supply</b>
1 = AC 24
<b>Modulating Signal (Applicable for Modulating Signal)</b>
2 = 0—10 Vdc (Factory Default Setting) 4 = 4—20 mA (Factory Default Setting)
<b>Actuating Force</b>
05 = 500N 10 = 1000N 18 = 1800N 30 = 3000N

**Table 1: Actuator Code Number Selection Guide**

**To Order**

Specify the code number from the Actuator Code Selection Guide.

**Repair Parts**

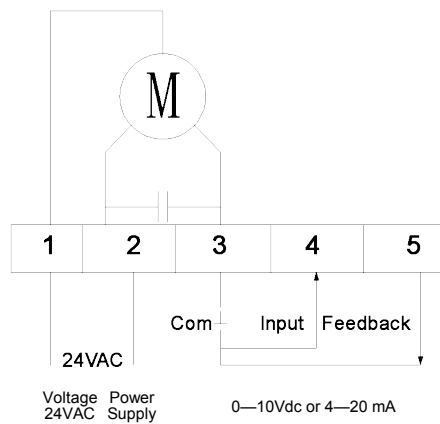
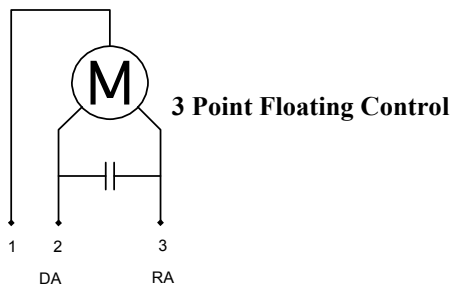
Available repair parts for NAV Series Actuator include replacement actuators. No other field repairs should be attempted.

**Table 2 : Maximum Close-off Pressure (KPA) and Weight**

Maximum Shutoff Pressure (KPA)							Weight
Model	Force (N)	DN20	DN25	DN32	DN40	DN50	KG
NAV..... – 05	500	1000	680	420	240	NA	0.8
NAV.... -- 10	1000	NA	NA	550	400	270	1.2
Maximum Shutoff Pressure (KPA)							Weight
Model	Force (N)	DN65	DN80	DN100	DN125	DN150	KG
NAV..... – 18	1800	340	150	90	NA	NA	4.8
NAV.... -- 30	3000	NA	NA	270	150	90	5.0

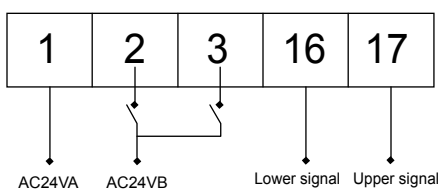
**Figure 3: Actuator Wiring Diagram**

**For NAV...-05 and NAV...-10 (500N and 1000N)**



**For NAV...-18 and NAV...-30 (1800N and 3000N)**

**3 Point Floating Control**



**Modulating 0—10Vdc or 4—20 mA**

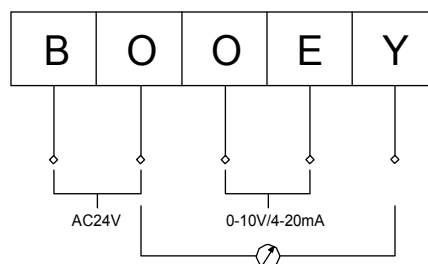
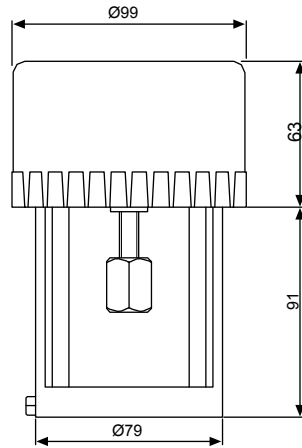
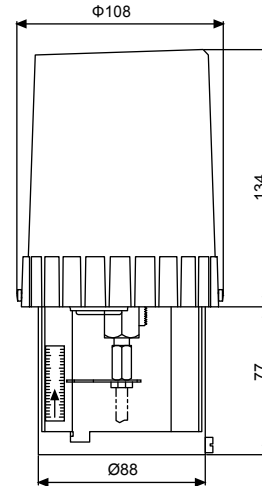


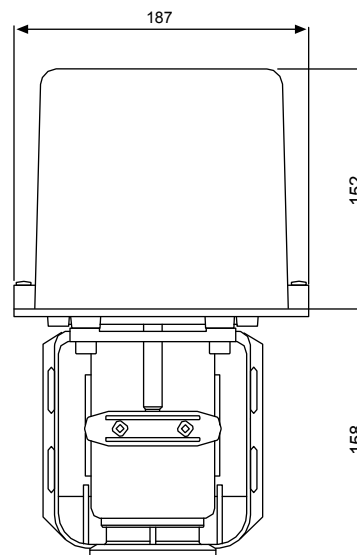
Figure 4 : Dimensions of Actuator (mm)



NAV...-05 (500N)



NAV...-10 (1000N)



NAV...-18 (1800N)  
NAV...-30 (3000N)

### Application Overview

The NAV series Electric Valve Actuator features a complete range from 500N to 3000N actuating force. They are use with the globe valve to regulate the flow of water or Steam. The Actuator can be ordered with NENUTEC Valve NVCS or NVCF series valves and NTC controller for a complete HVAC solution.

#### Main Office :

**NENUTEC®**

**NENUTEC ASIA PACIFIC PTE LTD**  
7030 Ang Mo Kio Ave 5 #08-55  
Northstar@AMK  
Singapore 569 880  
Phone : +65 6570 3233  
Fax : +65 6570 6783  
Email : info@nenutec.com.sg  
Website : www.nenutec.com.sg

#### Headquarter:



**TELIMA AG**

Schachenstrasse 80  
CH-8645 Jona / Switzerland  
Phone : +41 55 212 40 60  
Fax : +41 55 212 40 69  
Email : info@telima.ch  
Website : www.nenutec.com