

NABA Series

Ball Valve Actuator 10 Nm

2 Point and 3 Point Control



- NABA...10 (S1) series
- NENUTEC standard valve actuators are especially designed and produced for applications in the HVAC systems.
- Our wide range of NENUTEC standard valve actuators has been developed to operate and position ball valves of different sizes.

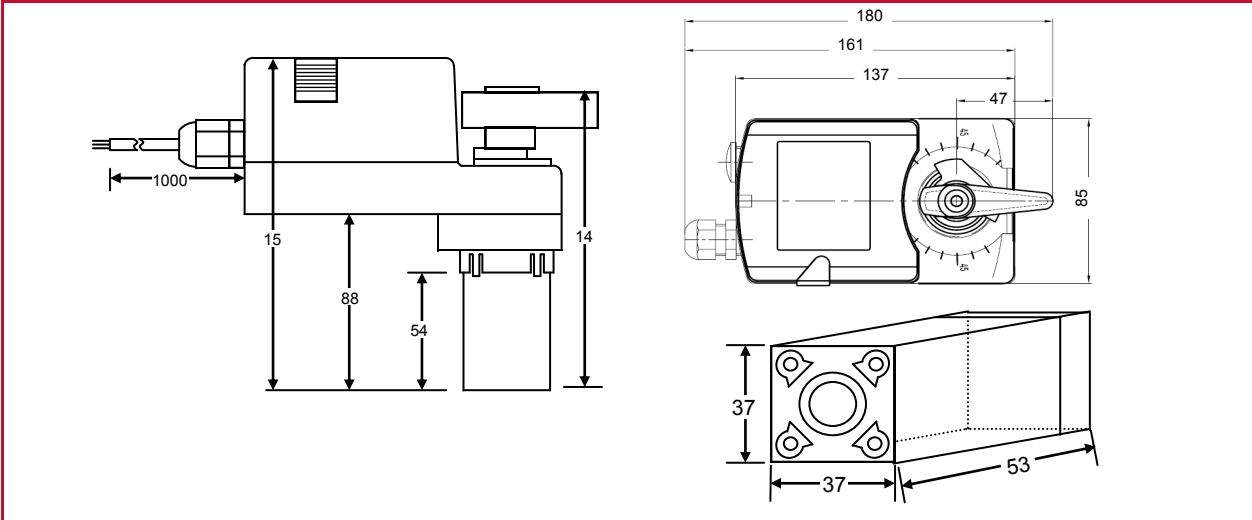
Product Features

- Torque 10 Nm
- Valve size DN40(1¹/₂"), DN50(2")
- Power Supply AC/DC 24 V and AC 230 V
- Control 2 Point and 3 Point
- 1 adjustable auxiliary switch (SPDT)
- Shaft dimensions 9.0 mm square (fix)
- Selectable direction of rotation
- Actuator with 1000 mm cable connection
- Customer version on request

Model Selection Table

Torque	Running Time	Power Supply	Auxiliary Switch	Model / Type
10 Nm	100...120 sec	AC/DC 24 V ± 10%	No	NABA 1-10
10 Nm	100...120 sec	AC/DC 24 V ± 10%	1 x SPDT	NABA 1-10 S1
10 Nm	100...120 sec	AC 230 V ± 10%	No	NABA 2-10
10 Nm	100...120 sec	AC 230 V ± 10%	1 x SPDT	NABA 2-10 S1

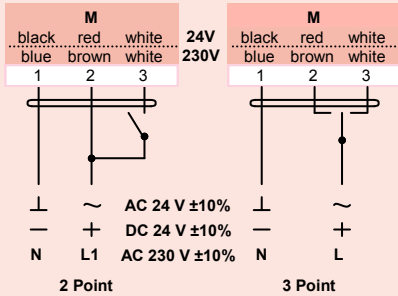
Actuator Dimensions (mm)



Technical Specification

	NABA 1... 10(S1)	NACA 2.. 10(S1)
Torque	10 Nm	
Valve Size	DN40(1½"), DN50(2")	
Shaft dimensions	□ 9.0 mm square (fix)	
Power Supply	AC/DC 24 V ± 10%	AC 230 V ± 10%
Frequency	50...60Hz	
Control Signal	2 point and 3 point	
Power Consumption		
-Operating	6.0 W	
-At the end stops	4.0 W	
For wire sizing	6.5 VA	
Auxiliary Switches Rating (Amp and Voltage)	⚡ 3 (1.5) A, AC 250 V	⊞
Protection Class	III	II
Angle of Rotation	90° (95° mechanical)	
Angle of Limiting	mechanical end stop	
Weight	< 1.1 Kg	< 1.2 Kg
Life Cycle	60,000 rotation	
Sound Level	40 dB	
IP Protection	IP54 (dust protected & protected against splash water)	
Operating Temperature	-20°...50° as per IEC 721-3-3	
Non-Operating Temperature	-30°...+60° C / IEC 721-3-2	
Ambient Humidity	5%...95% rH non condensing / EN	
Maintenance	Maintenance free	
Mode of Operation	Type I / EN 60730-1	
EMC	CE and ISO 9000 EN / EEC... Requirements	

Wiring Diagram NABA 1/2...(S1) Power Supply AC/DC 24 V - AC 230 V



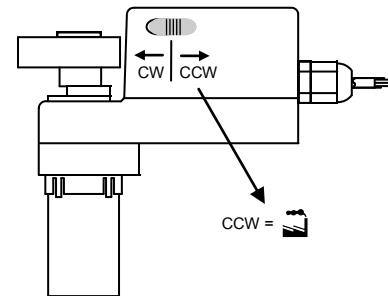
⚠ Connect via safety isolating trans-

Changing Direction of Rotation NABA 1/2...(S1)

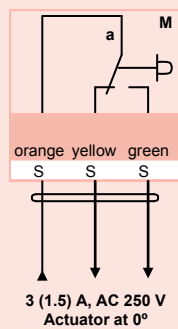
Factory-set CCW!

The direction of rotation can be changed by pushing the CW/CCW switch on the actuator's housing.

Ball valve actuators must operate CCW!



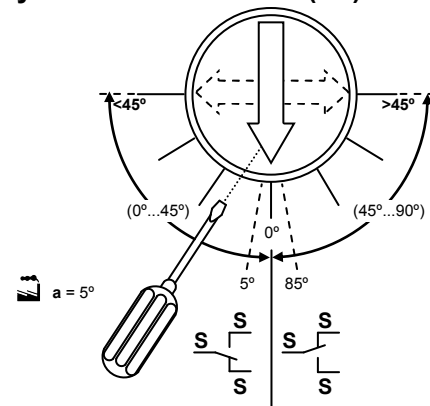
Wiring Diagram NABA 1/2...(S1) Auxiliary Switch



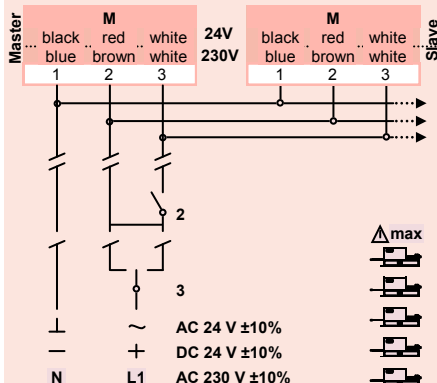
Adjustment of Auxiliary Switch NABA 1/2...(S1)

Switch a factory-set at 5°

The auxiliary switch can be optimally adjusted between 0°...90°.

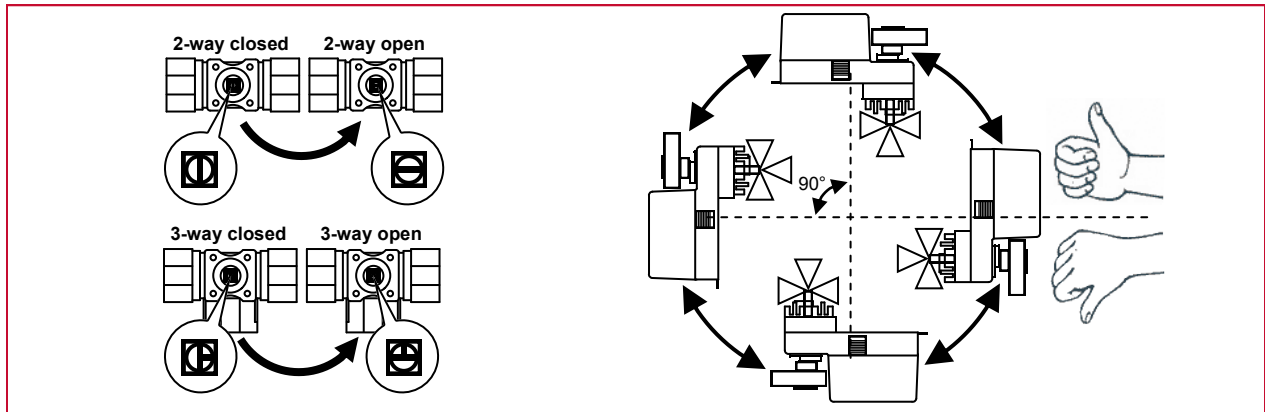
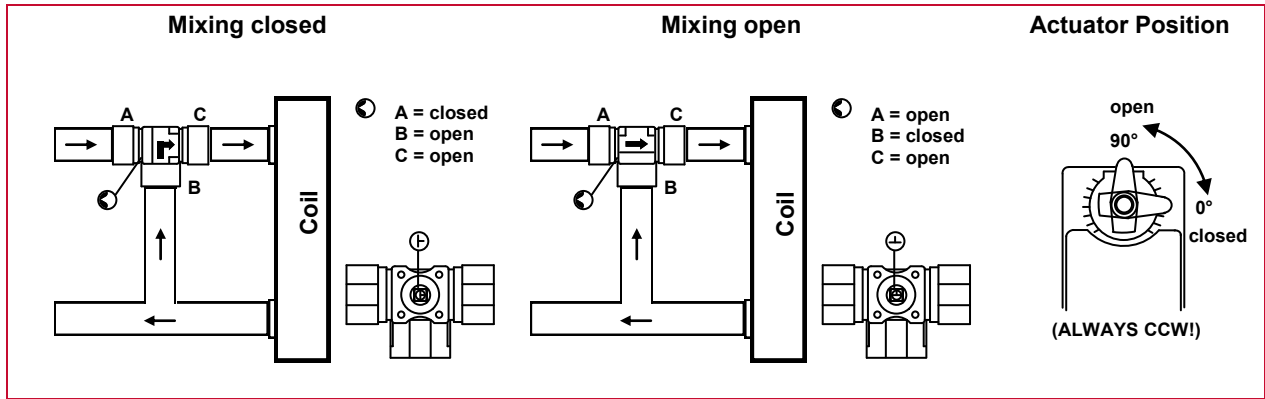


Wiring Diagram NABA 1/2...(S1) Parallel Connection



Remark

Parallel connection of several NABA...(S1) actuators is possible. The power consumption must be observed.






OEM Customised Version on Request

TELIMA/NENUTE[®]C offers you actuators in customised versions, e.g. with your own brand name, with colour-coordinated applications and with your particular demand. Please contact us for further information.

Important Remark

Consult NENUTE[®]C representatives for specific requirements and material selections for your intended application.

-   This actuator includes electrical and electronic components and may not be disposed as household garbage. Please consider the local valid legislation.
-  AC / DC 24 V: Connect via safety isolating transformer.
AC 230 V: To isolate from the main power supply, the system must incorporate a device which disconnects the phase conductor (with at least a 3 mm contact gap).

Main Office :

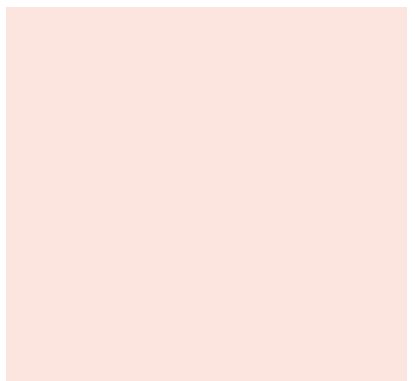


NENUTE[®]C ASIA PACIFIC PTE LTD
 7030 Ang Mo Kio Ave 5 #08-55
 Northstar@AMK
 Singapore 569 880
 Phone : +65 6570 3233
 Fax : +65 6570 6783
 Email : info@nenutec.com.sg
 Website : www.nenutec.com.sg

Headquarter:



TELIMA AG
 Schachenstrasse 80
 CH-8645 Jona / Switzerland
 Phone : +41 55 212 40 60
 Fax : +41 55 212 40 69
 Email : info@telima.ch
 Website : www.nenutec.com



The performance specifications are nominal and conform to acceptable industry standards. NENUTE[®]C shall not be liable for damages resulting from misapplication or misuse of its products.