


NDPS 2000 DIFFERENTIAL PRESSURE SWITCH FOR AIR AND GAS


NENUTEC[®]

INNOVATIVE MEMBER OF SWIS⁺TEC

NENUTEC ASIA PACIFIC PTE LTD
7030 Ang Mo Kio Ave 5
#03-56 Northstar @ AMK
Singapore 569 880



 (65) 6570 3233

 (65) 6570 6783

 info@nenutec.com.sg

NDPS 2000

DIFFERENTIAL PRESSURE SWITCH FOR AIR AND GAS



NDPS 2000

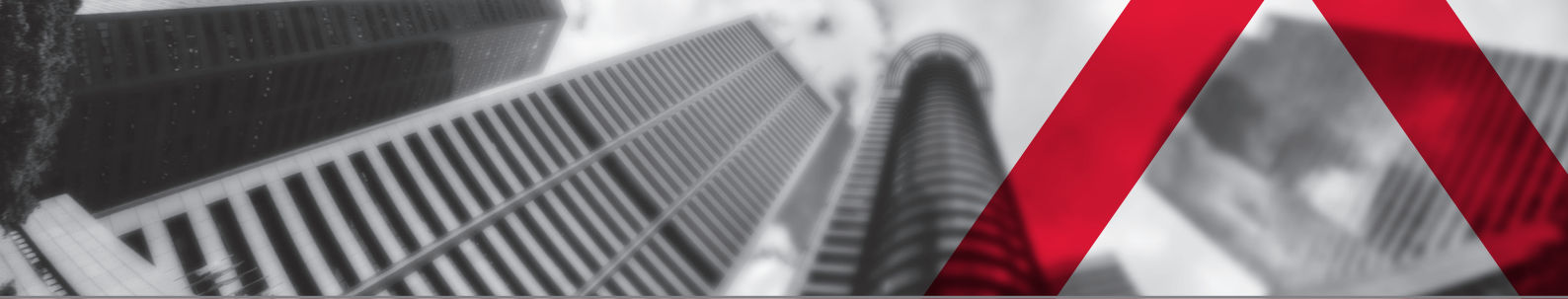
NDPS 2000 Differential Pressure Switch is designed for use in air or gases where proof of airflow is needed for proper system operation.

PRODUCT FEATURE

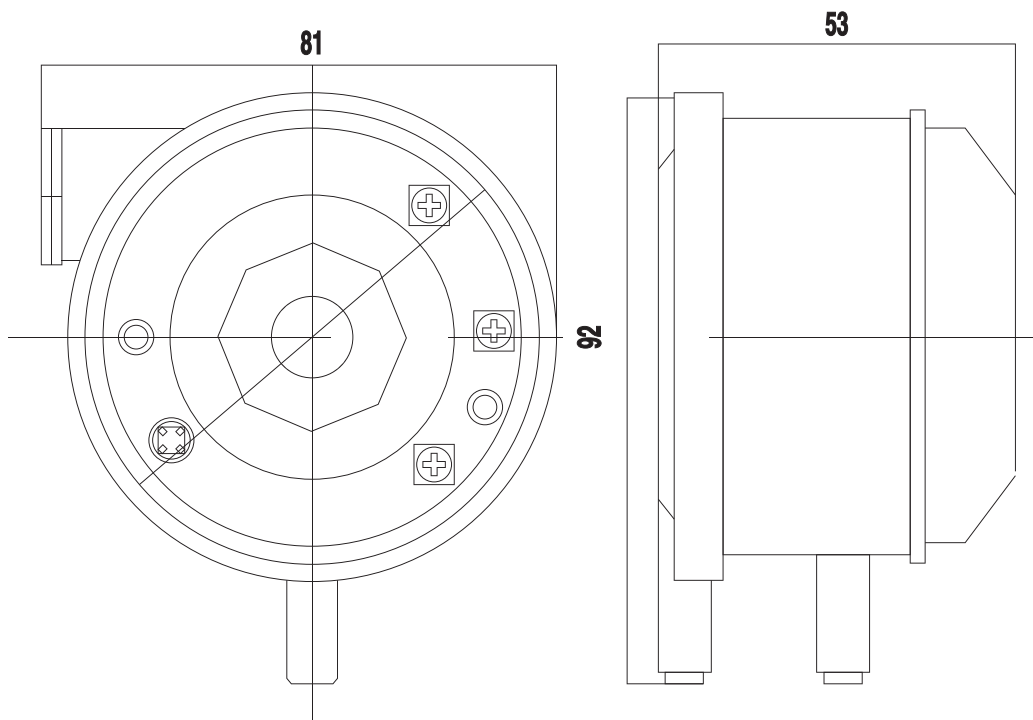
- Clogged Filter Detection
- Proof of Airflow Needed
- Max Pressure/Airflow Control for Variable Volume Systems
- Visible scale reading for easy set point adjustment

TECHNICAL SPECIFICATION

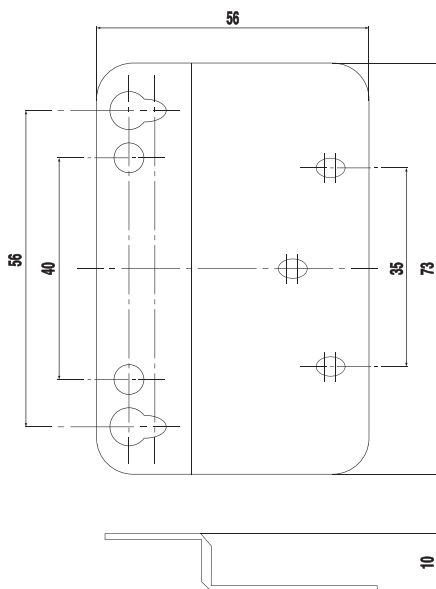
MODEL NUMBER	NDPS 2001	30 Pa to 300 Pa
	NDPS 2002	50 Pa to 500 Pa
	NDPS 2003	100 Pa to 500 Pa
	NDPS 2004	100 Pa to 1000 Pa
OPERATING PRESSURE DIFFERENTIAL	40 to 60 Pa	
MAX ALLOWABLE OVER PRESSURE	1000 Pa	
ELECTRICAL RATING	2A, 24 VAC to 277 VAC, 50/60 Hz	
CONTACT CONTROL	SPDT	
BODY MATERIAL	ABS	
TUBING CONNECTION	P1 (+) and P2 (-)	
MOUNTING ACCESSORIES INCLUDED	Ø6.2mm x 1.8m tubing, L-Bracket and 3 Screws	
IP PROTECTION	IP54	
AMBIENT TEMPERATURE	-20°...50° as per IEC721-3-3	
AMBIENT HUMIDITY	5...95% rH (non Condensing)	
INVENTORY TEMPERATURE	+70°C as per IEC 721-3-2	
CERTIFICATION	CE and ISO 9000 (EN...requirements)	
SHIPPING WEIGHT	0.1 kg (0.22 lbs)	
DIMENSION	Ø81 x 53 mm	



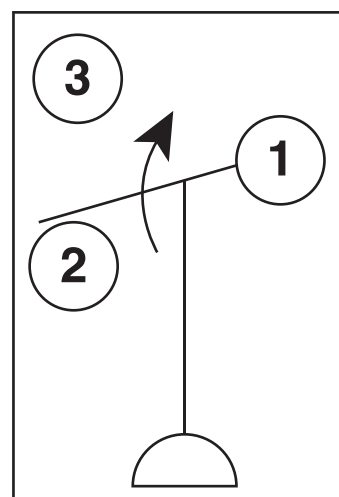
DIMENSION (mm)



BRACKET DIMENSION (mm)



WIRING DIAGRAM



INSTRUCTION

↓ On Decrease in Pressure Differential, the contact arm makes common (1) to (2) Terminal

↑ On Increase in Pressure Differential, the contact arm makes common (1) to (3) Terminal

The performance specifications are nominal and conform to acceptable industry standards. NENUTEC shall not be liable for damages resulting from misapplication or misuse of its products.