

NVCB 9000 SERIES CHARACTERISED DISC BALL VALVE

2-Way Flanged DN 65 to DN 150


NENUTEC[®]


INNOVATIVE MEMBER OF SWIS⁺TEC

NENUTEC ASIA PACIFIC PTE LTD

7030 Ang Mo Kio Ave 5
#03-56 Northstar @ AMK
Singapore 569 880



 (65) 6570 3233

 (65) 6570 6783

 info@nenutec.com.sg

NVCB 9000 SERIES

CHARACTERISED DISC BALL VALVE

2-Way Flanged DN 65 to DN 150



NVCB 9000 SERIES

NVCB characterised disc ball valve is mainly use in the HVAC system to regulate the flow of water and steam in response to the demand of a controller.

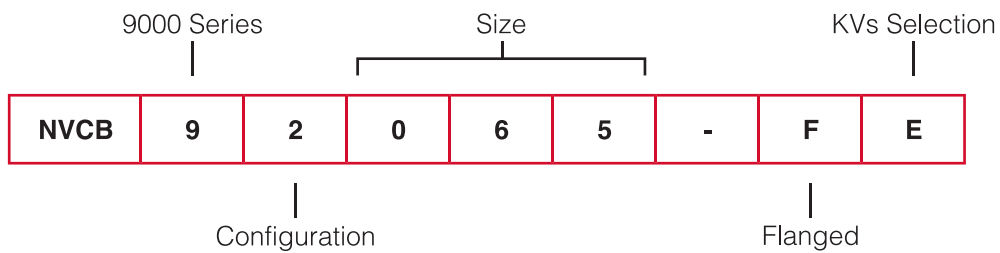
PRODUCT FEATURES

- Complete range from DN 65 to DN 150
- 2-Way
- Forged brass body
- Low leakage factor of up to 0.01% of KVs
- High close-off pressure actuator satisfies demanding requirements of high-rise buildings and high pressure pumping systems
- PN 16 or 232 PSI system operation pressure
- Equal percentage flow characteristic

TECHNICAL SPECIFICATION

VALVE BODY PRESSURE RATING	16 Bar PN16 (232 psig) Meets Requirements of ANSI B16.15, Class 250	
FLUID / AMBIENT TEMPERATURE LIMIT	5 to 95°C water at an Ambient Temperature of 40°C	
SHIPPING & STORAGE TEMPERATURE LIMIT	-40 to 70°C (-40 to 158°F)	
BODY SIZE	See TABLE 1: VALVE CODE NUMBER DESIGNATION	
SERVICE	Chilled, Hot Water, up to 50% Glycol Solutions and Saturated steam 100 KPa	
SEAT LEAKAGE	0.01% of KVs	
PIPE CONNECTION	Flanged DIN	
MAXIMUM CLOSE OFF PRESSURE	See TABLE 2: MAXIMUM CLOSE-OFF PRESSURE KPA (PSI) WITH ACTUATOR	
BODY MATERIAL	Body	Cast Iron - Polyester Coated
	Stem	Chrome Plate Brass
	Seat	PFTE
	Seal	EPDM Double O-Ring
	Ball	Chrome Plate Brass
FLOW CHARACTERISTIC	2-Way	Equal Percentage

TABLE 1: VALVE CODE NUMBER DESIGNATION



VALVE BODY TYPE	NVCB 9 = NVCB 9000 Series Characterised Ball Valve Flanged
CONFIGURATION	2 = 2 - Way
VALVE SIZE	065 = DN65 080 = DN80 100 = DN100 125 = DN125 150 = DN150
PIPE THREAD	F = Flanged DIN

KVS SELECTION

DN \ KVs	65	80	100	125	150
2-Way	2-Way	2-Way	2-Way	2-Way	2-Way
E	63	100	140	230	320

NVCB 9000 BRACKET

Bracket \ DN	65	80	100	125	150
BKT1	•	•			
BKT2			•	•	•

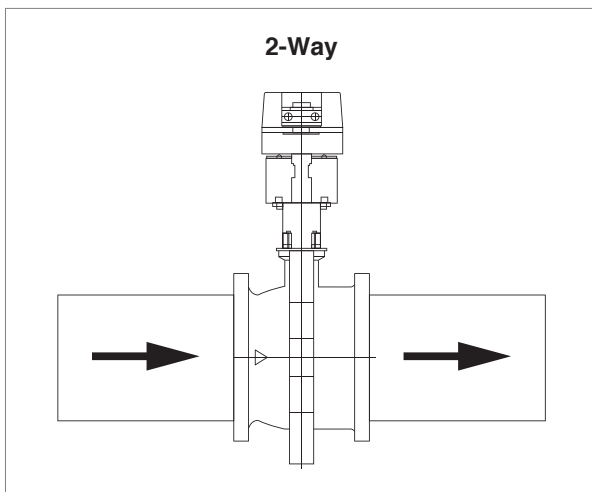
NVCB 9000 SERIES CHARACTERISED DISC BALL VALVE

2-Way Flanged DN 65 to DN 150

**TABLE 2: MAXIMUM CLOSE-OFF PRESSURE KPA (PSI)
WITH ACTUATOR**

MAXIMUM CLOSE-OFF PRESSURE KPA (PSI)							
MODEL	TORQUE (Nm)	FAIL SAFE	DN65	DN80	DN100	DN125	DN150
NAF...- 08	8	Yes (Spring Return)	340 (50)	276 (40)	-	-	-
NEC...- 20	20	Yes (Electronic Return)	690 (100)	550 (80)	-	-	-
NAC...- 20	20	No	690 (100)	550 (80)	-	-	-
NAC...- 40	40	No	1,000 (145)	690 (100)	690 (100)	690 (100)	400 (58)

PIPING DIAGRAM



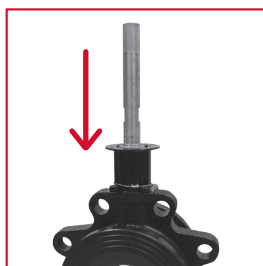
REMARK

For application requiring a different flow pattern, consult your local Nenutec representative.

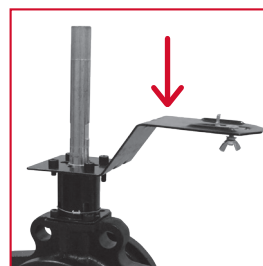
INSTALLATION / MOUNTING INSTRUCTION



❶ Secure the adapter to the top of the valve seat



❷ Place the shaft in an upright position



❸ Attach the holding plate over the shaft



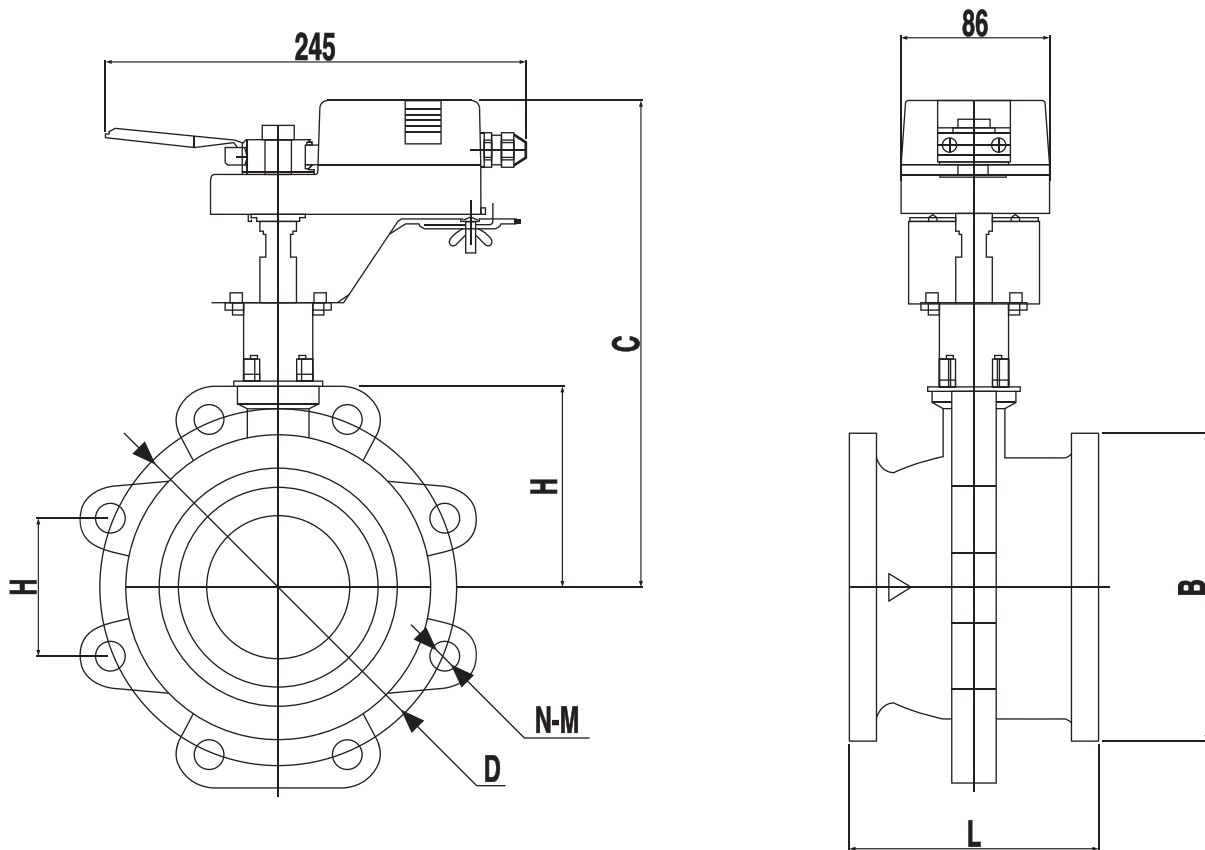
❹ Tighten the actuator with bolts and nuts



❺ Actuator must be seated horizontally across the holding plate secure tightly

TABLE 3: DIMENSION OF VALVE BODY (mm)

DIMENSION	DN (mm)	L	H	A	B	C	D	BOLT HOLE
2-Way	65	93	86	44	Ø101	266	Ø145	4 x Ø18
	80	108	95	55	Ø125	275	Ø160	4 x Ø18
	100	120	104	69	Ø148	272	Ø180	4 x Ø18
	125	145	106.5	80	Ø180	284	Ø210	4 x Ø18
	150	168	131.5	92	Ø205	298	Ø240	4 x Ø22



APPLICATION OVERVIEW

The NVCB 9000 series feature are available in 2-Way Flanged. The valve can be ordered with Nenuotec Actuator NAC... / NAF... and NTC... / NPC... controller for a complete HVAC solution.

The performance specifications are nominal and conform to acceptable industry standards. NENUTEC shall not be liable for damages resulting from misapplication or misuse of its products.