

NTC 830 SERIES FAN COIL THERMOSTAT WITH LCD


On/Off Control


NENUTE[®] C

INNOVATIVE MEMBER OF SWIS⁺TEC

NENUTE[®] ASIA PACIFIC PTE LTD
7030 Ang Mo Kio Ave 5
#03-56 Northstar @ AMK
Singapore 569 880



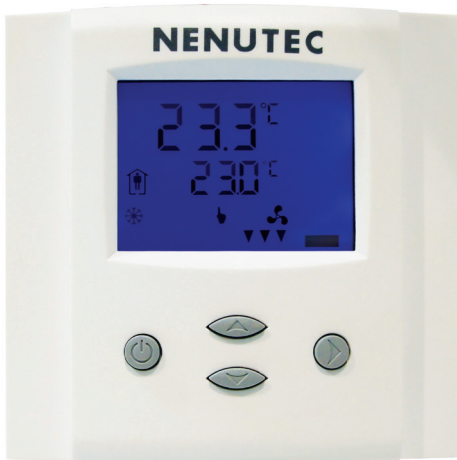
 (65) 6570 3233

 (65) 6570 6783

 info@nenutec.com.sg

NTC 830 SERIES FAN COIL THERMOSTAT WITH LCD

On/Off Control



NTC 830 SERIES

NTC 830 series thermostat with LCD feature an On/Off control for heating and cooling with fan speed switch. The controllers are designed for use in 2-pipe or 4-pipe Fan Coil units, and a variety of heating and cooling applications controlled by water valves and damper actuator.

PRODUCT FEATURE

- Low power energy consumption: < 1W per unit
- Relays switching for fans up to 300W
- Automatic fan control for three stage fans
- Cost saving option with Economy functionality and set set point limitations
- Control for single stage heating, cooling and fan only operation modes
- Password protected programmable user and control parameters

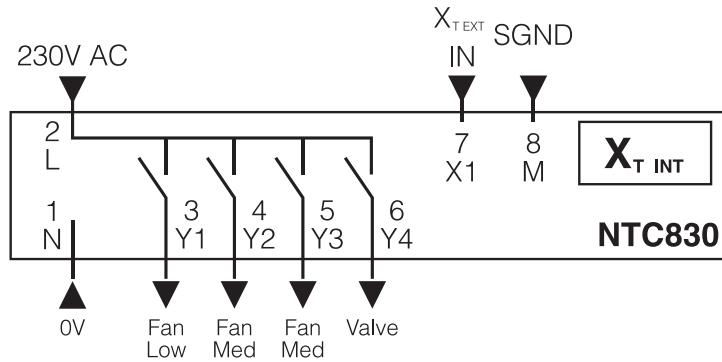
DELUXE VERSION

- Clock and time schedule functions with power failure protection
- Blue backlight for LCD
- Infrared remote controller option, NRC830
- Power backup for real time clock (Min 48h if charge for 24h)

TECHNICAL SPECIFICATION

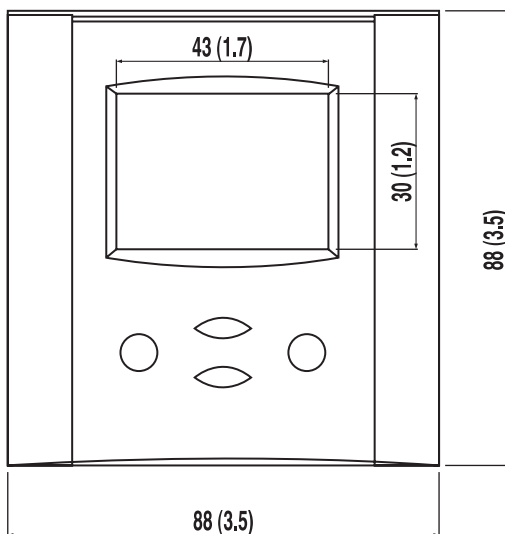
MODEL NUMBER	NTC 831DW	Off-Cool, 3-speed Fan, Single Output, Cooling, 2-pipe, AC230V, Deluxe Version, 1 External NTC or open contact input
	NTC 831W	Off-Cool, 3-speed Fan, Single Output, Cooling, 2-pipe, AC230V, 1 External NTC or open contact input
POWER REQUIREMENT	AC230V ±10%, 50/60 Hz Models	
POWER CONSUMPTION	Max 1W, 1.5 VA	
SIGNAL INPUT	Temperature Input	RT Internal
	Resolution	0.1°C (0.1°F)
	Accuracy	0.5°C (1°F)
SIGNAL OUTPUT	Digital Switching Outputs	DO1...DO4
	Switching Type	Relays
	AC Switching Power	2 (1.2) A, 250VAC (max fan power 300W)
BODY MATERIAL	Fire proof ABS plastic (UL94 class V-0)	
ENVIRONMENT (OPERATING / STORAGE)	0 to 50°C / -25 to 70°C ; <95% RH Non-condensing	
CERTIFICATION	CE and ISO 9000 (EN...requirements)	
DEGREE OF PROTECTION	IP30 to EN 60 529	
SHIPPING WEIGHT	0.260 kg	
DIMENSION	Front part: 21 x 88 x 88mm (0.8 x 3.5 x 3.5 in.)	
	Power case: 60 x 50 x 32mm (2.4 x 2.0 x 1.26 in)	

WIRING DIAGRAM

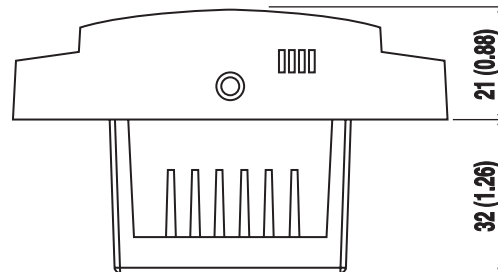


DESCRIPTION		
N	Power Supply:	0V Neutral
L	Power Supply:	230 VAC
Y1	Binary Output 230V AC:	Fan speed low
Y2	Binary Output 230V AC:	Fan speed medium
Y3	Binary Output 230V AC:	Fan speed high
Y4	Binary Output 230V AC:	Valve (Heating or cooling)
X1	External Input:	NTC 10kΩ @ 25°C (77°C) or Open contact to SGND
M	Signal Common:	0 potential for inputs

DIMENSION AND MOUNTING INSTRUCTION



Space required in flush mounting box:
(H x W x D)



Distance for mounting screws:
Horizontal and vertical:
45 to 63mm (1.8 to 2.5 in.)

The performance specifications are nominal and conform to acceptable industry standards. NENUTEC shall not be liable for damages resulting from misapplication or misuse of its products.