


NFS 60 WATER FLOW SWITCH


NENUTE[®] C

INNOVATIVE MEMBER OF SWIS⁺TEC

NENUTE[®] ASIA PACIFIC PTE LTD
7030 Ang Mo Kio Ave 5
#03-56 Northstar @ AMK
Singapore 569 880



 (65) 6570 3233

 (65) 6570 6783

 info@nenutec.com.sg

NFS 60 WATER FLOW SWITCH



NFS 60

NFS 60 Flow Switch is designed for use prove flow of water by giving an alarm or use to control the condenser pump in the HVAC system.

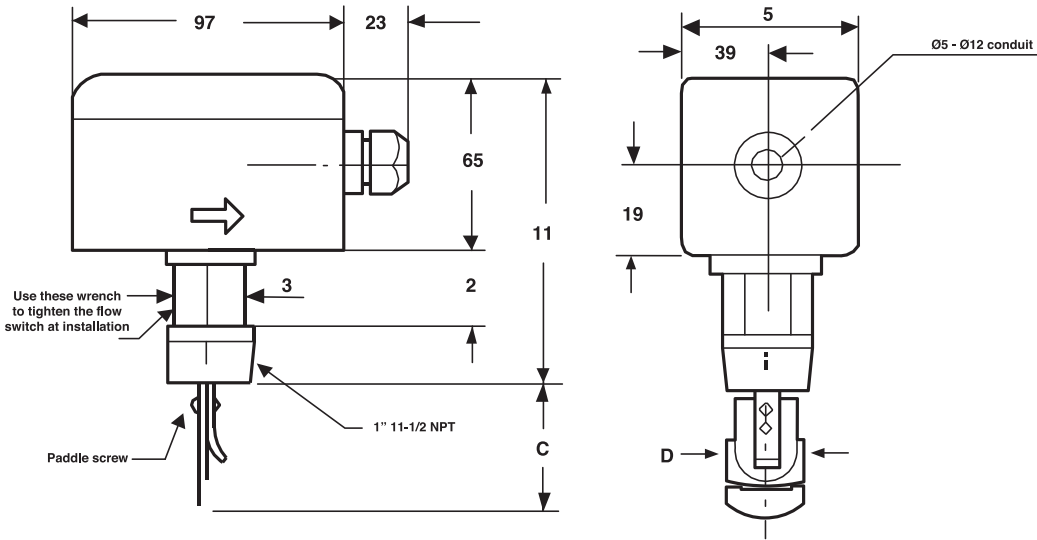
PRODUCT FEATURE

- 1" to 6" pipe size
- 3 pieces paddle included
- SPDT contact for NC or NO operation

TECHNICAL SPECIFICATION

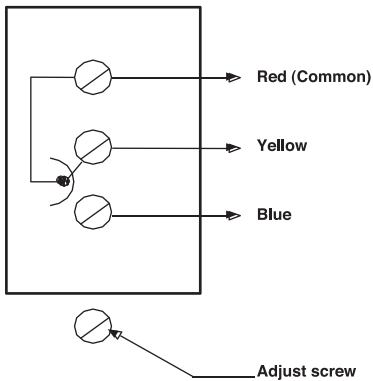
CONTRACT RATING	AC 230V 10A
MEDIUM TEMPERATURE RANGE	0 to 120°C
CONNECTION	1" (11-1/2)NPT
MAX PRESSURE ALLOWABLE	12 Bar
IP PROTECTION	IP65
AMBIENT TEMPERATURE	-20°...50° as per IEC721-3-3
AMBIENT HUMIDITY	5...95% rH (non Condensing)
INVENTORY TEMPERATURE	+70°C as per IEC 721-3-2
CERTIFICATION	CE and ISO 9000 (EN...requirements)
SHIPPING WEIGHT	700g

DIMENSION (mm)



PIPE SIZE	C	D
25	37	25
51	64	29
76	89	29
101	168	29
152	168	29

CONTRACT RATING



RATED VOLTAGE V		POWER COS Ø	125V AC	250V AC
RATED CURRENT A				
NO INDUCED LOAD CURRENT		1	15	15
INDUCED LOAD	FULL LOAD CURRENT	0.75	3.5	2.5
CURRENT	INSTANTANEOUS CURRENT	0.45	21	15

MINIMUM FLOW RATE

GPM (M3/HR) REQUIRED TO ACTUATE SWITCH											
PIPE SIZE (in.)		1	1-1/4	1-1/2	2	2-1/2	3	4*	5*	6*	8*
Minimum Adjustment	Flow increasing Red → Yellow Closed**	4.2 (1.0)	5.8 (1.3)	7.5 (1.7)	13.7 (3.1)	18.0 (4.1)	27.5 (6.2)	65.0 (14.8) 37.0+ (8.4)	125.0 (28.4) 57.0+ (12.9)	190.0 (43.1) 74.0+ (16.8)	375.0 (85.2) 205.0+ (46.6)
	Flow decreasing Red → Blue Closed**	2.5 (0.6)	3.7 (0.8)	5.0 (1.1)	9.5 (2.2)	12.5 (2.8)	19.0 (4.3)	50.0 (11.4) 27.0+ (6.1)	101.0 (22.9) 41.0+ (9.3)	158.0 (35.9) 54.0+ (12.3)	320.0 (72.7) 170.0+ (38.6)
Maximum Adjustment	Flow decreasing Red → Yellow Closed**	8.8 (2.0)	13.3 (3.0)	19.2 (4.4)	29.0 (6.6)	34.5 (7.8)	53.0 (12.0)	128.0 (29.1) 81.0+ (18.4)	245.0 (55.6) 118.0+ (26.8)	375.0 (85.2) 144.0+ (32.7)	760.0 (172.6) 415.0+ (94.2)
	Flow decreasing Red → Blue Closed**	8.5 (1.9)	12.5 (2.8)	18.0 (4.1)	27.0 (6.1)	32.0 (7.3)	50.0 (11.4)	122.0 (27.7) 76.0+ (17.3)	235.0 (53.4) 111.0+ (25.2)	360.0 (81.8) 135.0+ (30.7)	730.0 (165.8) 400.0+ (90.8)

The performance specifications are nominal and conform to acceptable industry standards. NENUTEC shall not be liable for damages resulting from misapplication or misuse of its products.