

# NACA...10 (S1) SERIES

STANDARD DAMPER ACTUATOR 2/3 POINT CONTROL



## NACA...10 (S1) SERIES

NACA standard damper actuators are specially designed and produced for applications in the HVAC Systems. Our wide range of Nenutec standard damper actuators has been developed to operate and position air dampers of different sizes.

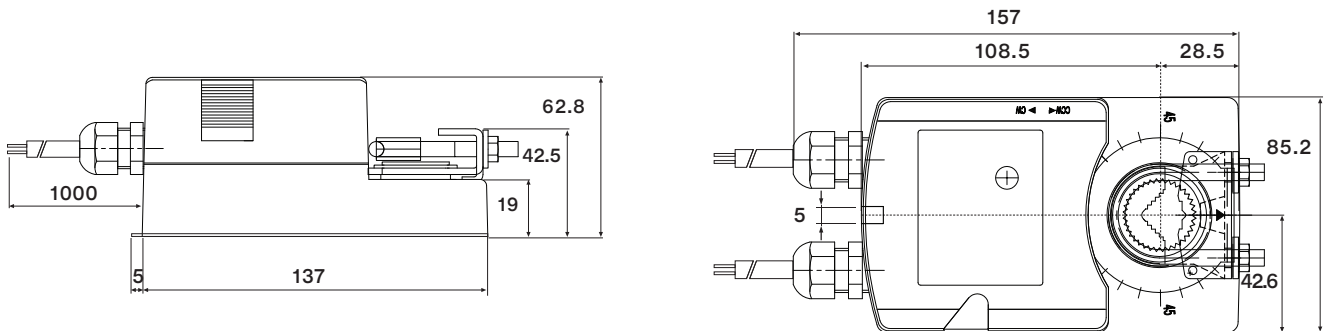
## PRODUCT FEATURE

- Torque 10 Nm
- Damper size 2.0 m<sup>2</sup>
- Power supply AC/DC 24V or AC 230V
- Shaft dimensions - Ø 10...16 mm / □ 7...12 mm
- Minimum shaft length 45 mm
- Adjustable angle of rotation
- Selectable direction of rotation of reversing actuator
- Optional 1 adjustable SPDT auxiliary switch
- Manual over-ride push button when required

## MODEL SELECTION TABLE

MODEL / TYPE	TORQUE	POWER SUPPLY	RUNNING TIME	AUXILIARY SWITCH
NACA 1-10	10 Nm	AC/DC 24 V ± 10%	70...100 sec	-
NACA 1-10S1	10 Nm	AC/DC 24 V ± 10%	70...100 sec	1 x SPDT (Adjustable)
NACA 2-10	10 Nm	AC 230 V ± 10%	70...100 sec	-
NACA 2-10S1	10 Nm	AC 230 V ± 10%	70...100 sec	1 x SPDT (Adjustable)

## DIMENSION (mm)



## TECHNICAL SPECIFICATION

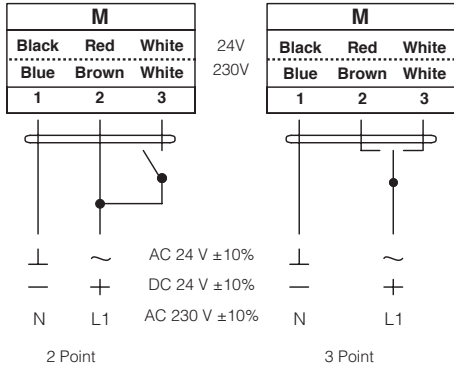
<b>MODEL NUMBER</b>	NACA 1-10 (S1)	NACA 2-10 (S1)
<b>TORQUE</b>	10 Nm	10 Nm
<b>DAMPER SIZE</b>	2.0 m <sup>2</sup>	2.0 m <sup>2</sup>
<b>SHAFT DIMENSION</b>	Ø 10...16 mm / □ 7...12 mm*	Ø 10...16 mm / □ 7...12 mm*
<b>POWER SUPPLY</b>	AC/DC 24 V ± 10%	AC 230 V ± 10%
<b>FREQUENCY</b>	50...60 Hz	50...60 Hz
<b>CONTROL SIGNAL</b>	2/3 point control	2/3 point control
<b>POWER CONSUMPTION</b>		
• <b>OPERATING</b>	1.5 W	1.5 W
• <b>END POSITION</b>	0.5 W	0.5 W
<b>FOR WIRE SIZING</b>	4.0 VA	4.0 VA
<b>ELECTRICAL CONNECTION</b>	1 m Cable	1 m Cable
<b>AUXILIARY SWITCH RATING</b>	2 (1.5) A, AC 250 V	2 (1.5) A, AC 250 V
<b>PROTECTION CLASS</b>	Class III ⚡	Class II ⚡
<b>ANGLE OF ROTATION</b>	90° (95° mechanical)	90° (95° mechanical)
<b>WEIGHT</b>	1.0 Kg	1.0 Kg
<b>LIFE CYCLE</b>	60,000 Rotation	60,000 Rotation
<b>SOUND LEVEL</b>	45 dB	45 dB
<b>IP PROTECTION</b>	IP54	IP54
<b>OPERATING TEMPERATURE</b>	-30°...50° as per IEC 721-3-3	-30°...50° as per IEC 721-3-3
<b>NON-OPERATING TEMPERATURE</b>	-30°...+60° C / IEC 721-3-2	-30°...+60° C / IEC 721-3-2
<b>AMBIENT HUMIDITY</b>	5%...95% rH non condensing / EN	5%...95% rH non condensing / EN
<b>MAINTENANCE</b>	Maintenance Free	Maintenance Free
<b>MODE OF OPERATION</b>	Type I / EN 60730-1	Type I / EN 60730-1
<b>EMC</b>	CE & ISO 9000 EN / EEC	CE & ISO 9000 EN / EEC

\*Note that shaft dimension has a tolerance offset of ± 0.2mm.

# NACA...10 (S1) SERIES

## STANDARD DAMPER ACTUATOR 2/3 POINT CONTROL

### WIRING DIAGRAM NACA...10 (S1) POWER SUPPLY AC/DC 24V OR AC 230V

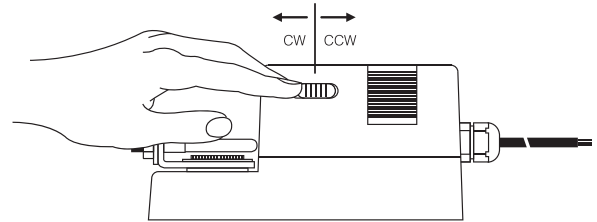


⚠ Connect via safety isolating transformer

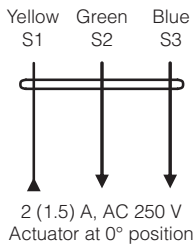
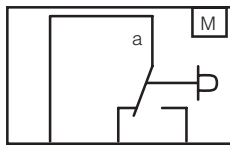
### DIRECTION OF ROTATION NACA...10 (S1)

Default factory setting: CW.

Direction of rotation can be changed by toggling between CW/CCW switch on the actuator's housing.



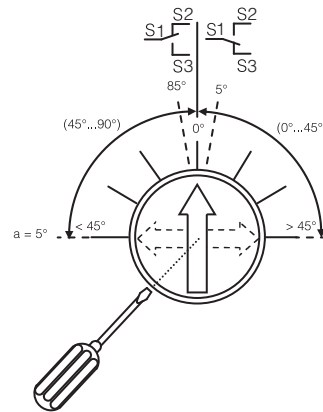
### WIRING DIAGRAM NACA...10 (S1) AUXILIARY SWITCH



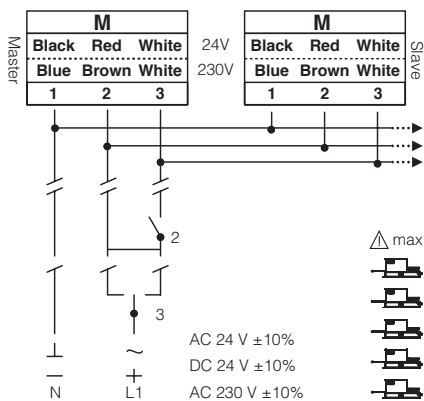
### AUXILIARY SWITCH NACA...10 (S1)

Auxiliary switch (a) factory-set at 5°.

Auxiliary switch (a) can be optimally adjusted between 0°...90°.



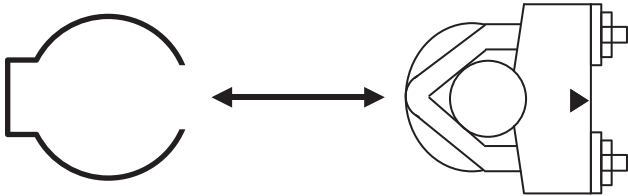
### WIRING DIAGRAM NACA...10 (S1) PARALLEL CONNECTION



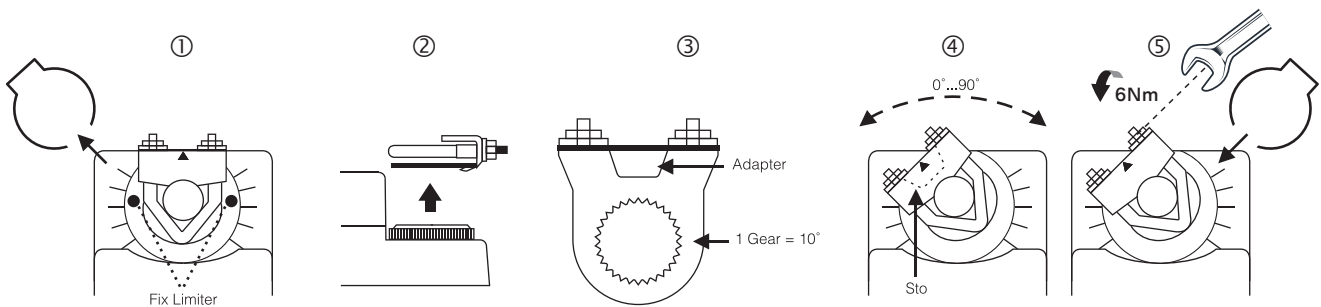
### REMARK

Parallel connection of NACA...10 (S1) actuators are limited to 5. Power consumption must be observed.

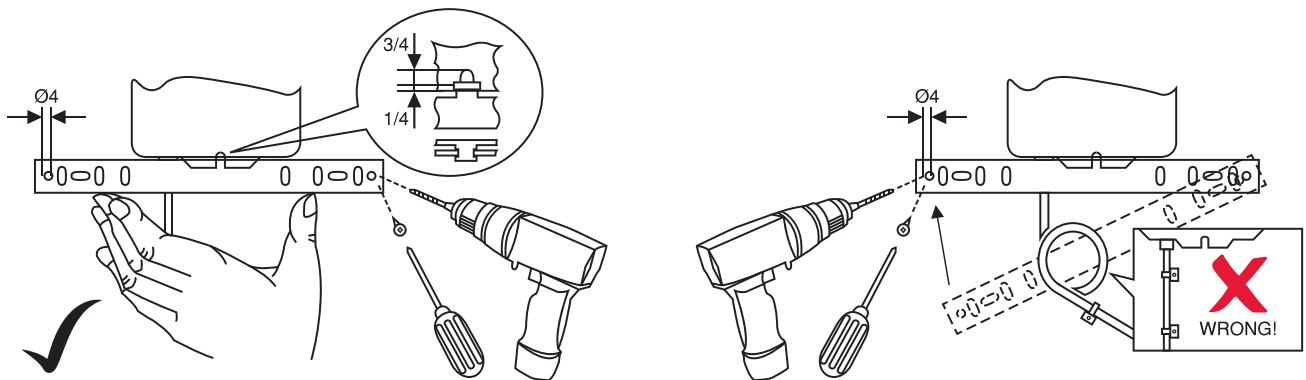
## RELEASING THE ADAPTER NACA...10 (S1)



## LIMITING ANGLE OF ROTATION NACA...10 (S1)



## INSTALLATION / MOUNTING INSTRUCTION



### IMPORTANT REMARK

For special requirement, consult your local Nenutec's representative.



This actuator includes electrical and electronic components and may not be disposed as household garbage. Please consider the local valid legislation.



AC / DC 24 V: Connect via safety isolating transformer.  
AC 230 V: To isolate from the main power supply, the system must incorporate a device which disconnects the phase conductor (with at least a 3mm contact gap.)

The performance specifications are nominal and conform to acceptable industry standards. NENUTEC shall not be liable for damages resulting from misapplication or misuse of its products.