

# NACM...40 (S) SERIES

STANDARD DAMPER ACTUATOR MODULATING CONTROL

## NACM...40 (S) SERIES

NACM standard damper actuators are specially designed and produced for applications in the HVAC Systems. Our wide range of Nenutec standard damper actuators has been developed to operate and position air dampers of different sizes.



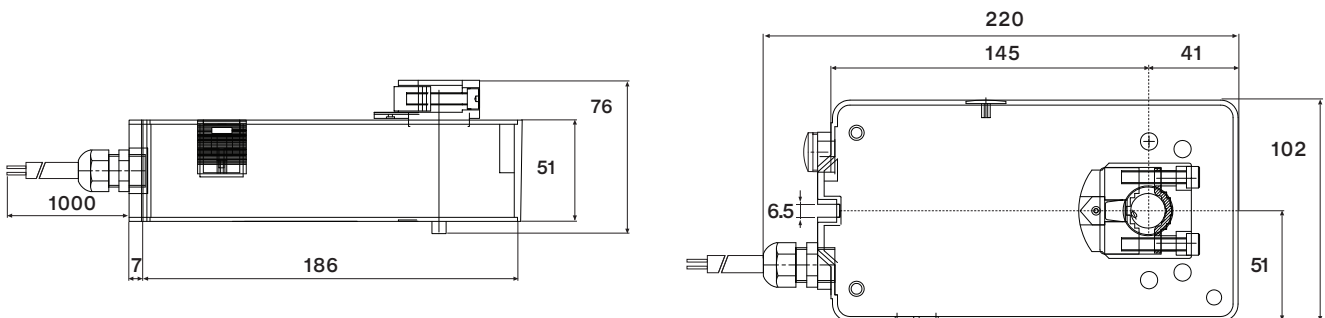
## PRODUCT FEATURE

- Torque 40 Nm
- Damper size 7.0 m<sup>2</sup>
- Power supply AC/DC 24V or AC 230 V
- Control Modulating DC 0(2)...10 V & 0(4)...20 mA
- Shaft dimensions - Ø 14...20 mm / □ 10...14 mm
- Minimum shaft length 80 mm
- Adjustable angle of rotation
- Selectable direction of rotation of reversing actuator
- Optional 2 adjustable SPDT auxiliary switches
- Manual over-ride push button when required
- Mounting bracket required for valve body

## MODEL SELECTION TABLE

MODEL / TYPE	TORQUE	POWER SUPPLY	RUNNING TIME	AUXILIARY SWITCH
NACM 1.1-40	40 Nm	AC/DC 24 V ± 10%	150...180 sec	-
NACM 1.1-40S	40 Nm	AC/DC 24 V ± 10%	150...180 sec	2 x SPDT (Adjustable)
NACM 2.2-40	40 Nm	AC 230 V ± 10%	150...180 sec	-
NACM 2.2-40S	40 Nm	AC 230 V ± 10%	150...180 sec	2 x SPDT (Adjustable)

## DIMENSION (mm)



## TECHNICAL SPECIFICATION

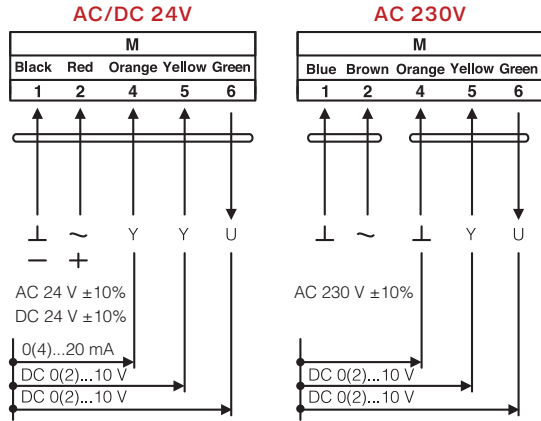
<b>MODEL NUMBER</b>	NACM 1.1-40 (S)	NACM 2.2-40 (S)
<b>TORQUE</b>	40 Nm	40 Nm
<b>DAMPER SIZE</b>	7.0 m <sup>2</sup>	7.0 m <sup>2</sup>
<b>SHAFT DIMENSION</b>	Ø 14...20 mm / □ 10...14 mm*	Ø 14...20 mm / □ 10...14 mm*
<b>POWER SUPPLY</b>	AC/DC 24 V ± 10%	AC 230 V ± 10%
<b>FREQUENCY</b>	50...60 Hz	50...60 Hz
<b>CONTROL SIGNAL (INPUT)</b>	DC 0(2)...10 V / & 0(4)...20 mA	DC 0(2)...10 V
<b>POSITION SIGNAL (OUTPUT)</b>	DC 0(2)...10 V	DC 0(2)...10 V
<b>POWER CONSUMPTION</b>		
• <b>OPERATING</b>	2.5 W	2.5 W
• <b>END POSITION</b>	1.0 W	1.0 W
<b>FOR WIRE SIZING</b>	5.0 VA	5.0 VA
<b>ELECTRICAL CONNECTION</b>	1 m Cable	1 m Cable
<b>AUXILIARY SWITCH RATING</b>	2 (1.5) A, AC 250 V	2 (1.5) A, AC 250 V
<b>PROTECTION CLASS</b>	Class III ⚡	Class II ⚡
<b>ANGLE OF ROTATION</b>	90° (95° mechanical)	90° (95° mechanical)
<b>WEIGHT</b>	2.0 Kg	2.0 Kg
<b>LIFE CYCLE</b>	60,000 Rotation	60,000 Rotation
<b>SOUND LEVEL</b>	40 dB	40 dB
<b>IP PROTECTION</b>	IP54	IP54
<b>OPERATING TEMPERATURE</b>	-30°...50° as per IEC 721-3-3	-30°...50° as per IEC 721-3-3
<b>NON-OPERATING TEMPERATURE</b>	-30°...+60° C / IEC 721-3-2	-30°...+60° C / IEC 721-3-2
<b>AMBIENT HUMIDITY</b>	5%...95% rH non condensing / EN	5%...95% rH non condensing / EN
<b>MAINTENANCE</b>	Maintenance Free	Maintenance Free
<b>MODE OF OPERATION</b>	Type I / EN 60730-1	Type I / EN 60730-1
<b>EMC</b>	CE & ISO 9000 EN / EEC	CE & ISO 9000 EN / EEC

\*Note that shaft dimension has a tolerance offset of ± 0.2mm.

# NACM...40 (S) SERIES

## STANDARD DAMPER ACTUATOR MODULATING CONTROL

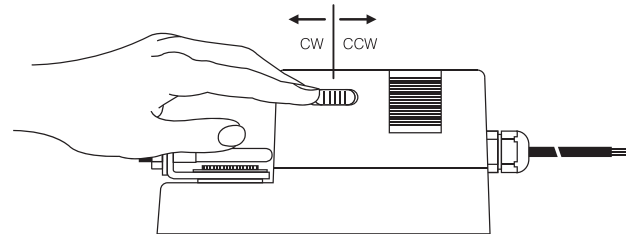
### WIRING DIAGRAM NACM...40 (S) POWER SUPPLY AC/DC 24V OR AC 230V



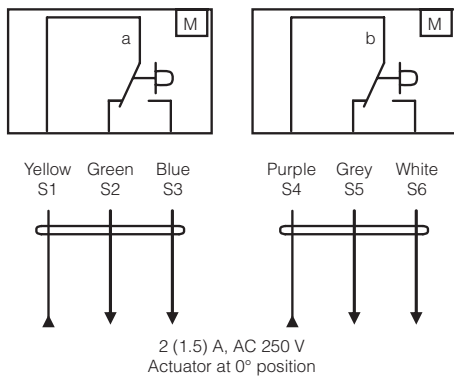
### DIRECTION OF ROTATION NACM...40 (S)

Default factory setting: CW.

Direction of rotation can be changed by toggling between CW/CCW switch on the actuator's housing.



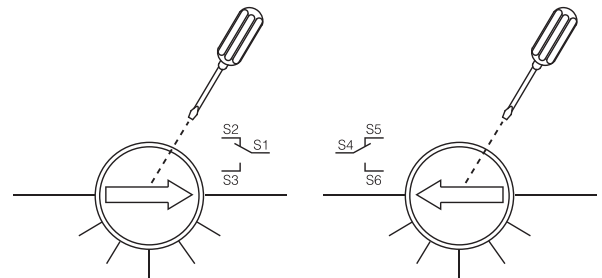
### WIRING DIAGRAM NACM...40 (S) AUXILIARY SWITCHES



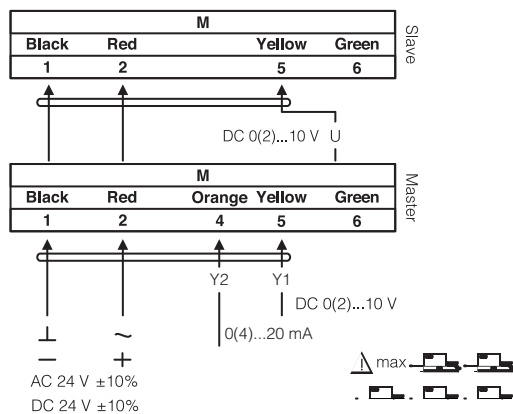
### AUXILIARY SWITCH NACM...40 (S)

Auxiliary switch **(a)** factory-set at 5° and **(b)** at 85°.

Both the auxiliary switches **(a)** and **(b)** can be optimally adjusted between 0°...90°.



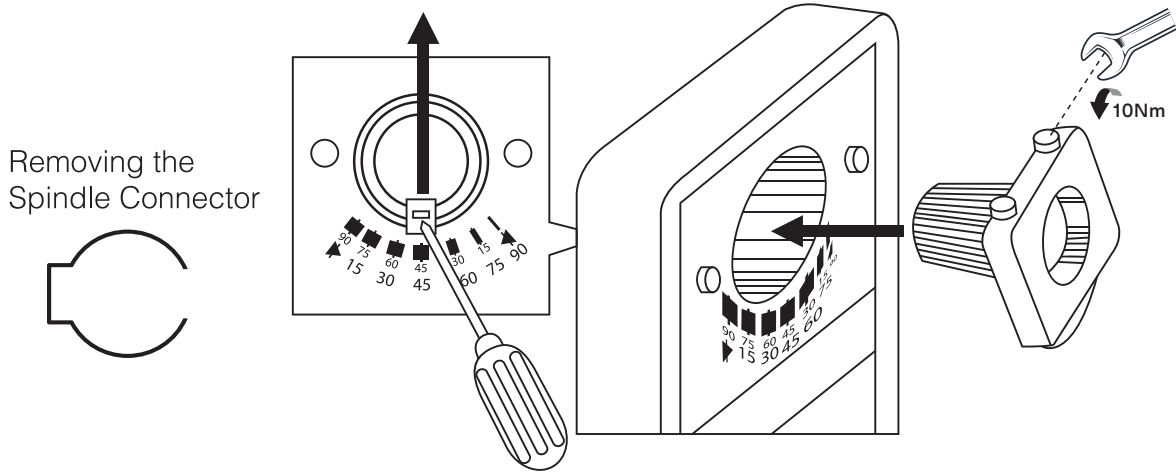
### WIRING DIAGRAM NACM...40 (S) PARALLEL CONNECTION



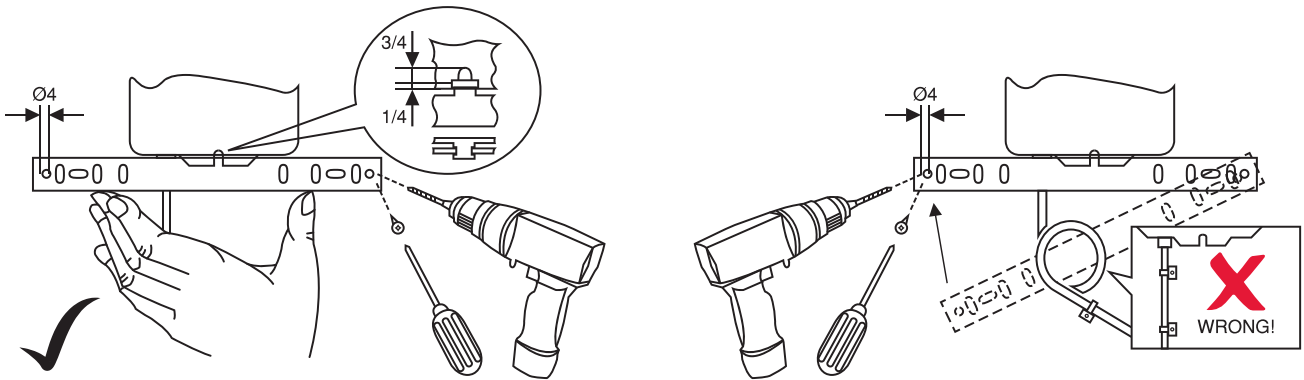
### REMARK

During parallel operation, the output signal (terminal 6, DC 0(2)...10 V) of the master actuator must be connected to terminal 5 of the next slave actuator.

## ADJUSTING THE LIMITS FOR ROTATION



## INSTALLATION / MOUNTING INSTRUCTION



## IMPORTANT REMARK

For special requirement, consult your local Nenutec's representative.



This actuator includes electrical and electronic components and may not be disposed as household garbage. Please consider the local valid legislation.



AC / DC 24 V:  
AC 230 V:

Connect via safety isolating transformer.

To isolate from the main power supply, the system must incorporate a device which disconnects the phase conductor (with at least a 3mm contact gap.)

The performance specifications are nominal and conform to acceptable industry standards. NENUTEC shall not be liable for damages resulting from misapplication or misuse of its products.