

NEBM...10 (S1) SERIES

VALVE AND VALVE ACTUATOR MODULATING CONTROL



NEBM...10 (S1) SERIES

NEBM series standard valve actuators are especially designed and produced for applications in the HVAC systems. Our wide range of standard valve actuators has been developed to operate and position ball valves of different sizes.

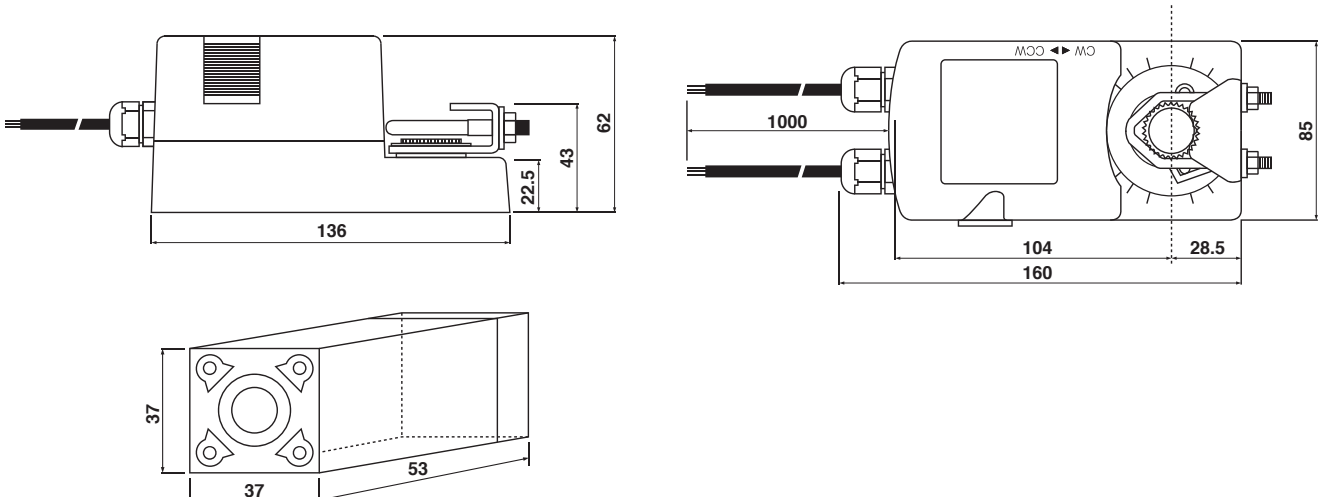
PRODUCT FEATURE

- Torque 10 Nm
- Valve size DN40(1½“) / DN50(2“)
- Power supply AC/DC 24V
- Control Modulating DC 0(2)...10 V, DC 0(4)...20 mA
- Shaft dimensions - □ 9.0 mm (fixed)
- Selectable direction of rotation of reversing actuator
- Optional 1 adjustable SPDT auxiliary switch

MODEL SELECTION TABLE

MODEL / TYPE	TORQUE	POWER SUPPLY	RUNNING TIME	RETURN	AUXILIARY SWITCH
NEBM 1.1-10 HN	5 Nm	AC/DC 24 V ± 10%	65...70 sec	40 sec	-
NEBM 1.1-10S1 HN	5 Nm	AC/DC 24 V ± 10%	65...70 sec	40 sec	1 x SPDT (Adjustable)

DIMENSION (mm)



TECHNICAL SPECIFICATION

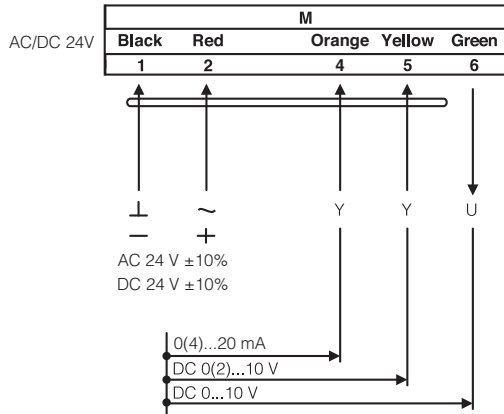
MODEL NUMBER	NEBM 1.1-10 (S1)
TORQUE	10 Nm
DAMPER SIZE	DN40(1½") / DN50(2")
SHAFT DIMENSION	□ 9.0 mm (fixed)*
POWER SUPPLY	AC/DC 24 V ± 10%
FREQUENCY	50...60 Hz
CONTROL SIGNAL (INPUT)	DC 0(2)...10 V, DC 0(4)...20 mA
CONTROL SIGNAL (OUTPUT)	DC 0...10 V
POWER CONSUMPTION	
• OPERATING	2.0 W
• END POSITION	3.0 W
FOR WIRE SIZING	6.0 VA
ELECTRICAL CONNECTION	1 m Cable
PROTECTION CLASS	Class III ⚡
ANGLE OF ROTATION	90° (95° mechanical)
WEIGHT	1.1 Kg
LIFE CYCLE	60,000 Rotation
SOUND LEVEL	40 dB
IP PROTECTION	IP54
OPERATING TEMPERATURE	-20°...50° as per IEC 721-3-3
NON-OPERATING TEMPERATURE	-30°...+60° C / IEC 721-3-2
AMBIENT HUMIDITY	5%...95% rH non condensing / EN
MAINTENANCE	Maintenance Free
MODE OF OPERATION	Type I / EN 60730-1
EMC	CE & ISO 9000 EN / EEC

*Note that shaft dimension has a tolerance offset of ± 0.2mm.

NEBM...10 (S1) SERIES

VALVE AND VALVE ACTUATOR MODULATING CONTROL

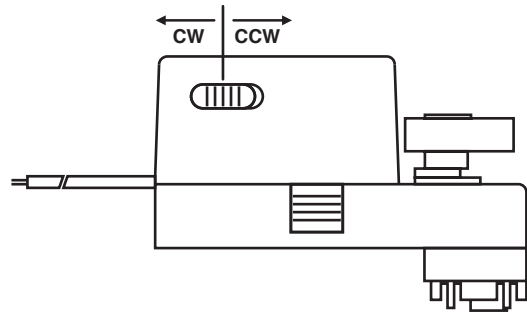
WIRING DIAGRAM NEBM...10 (S1) POWER SUPPLY AC/DC 24V



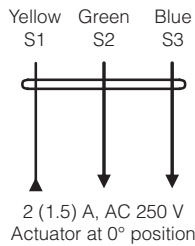
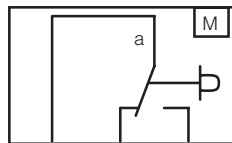
DIRECTION OF ROTATION NEBM...10 (S1)

Default factory setting: CCW.

Direction of rotation can be changed by toggling between CW/CCW switch on the actuator's housing.



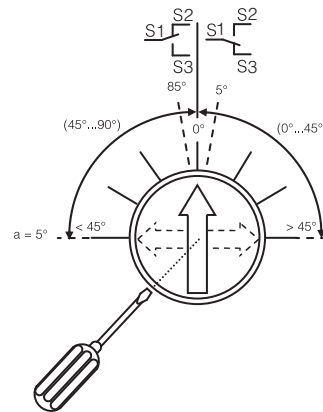
WIRING DIAGRAM NEBM...10 (S1) AUXILIARY SWITCH



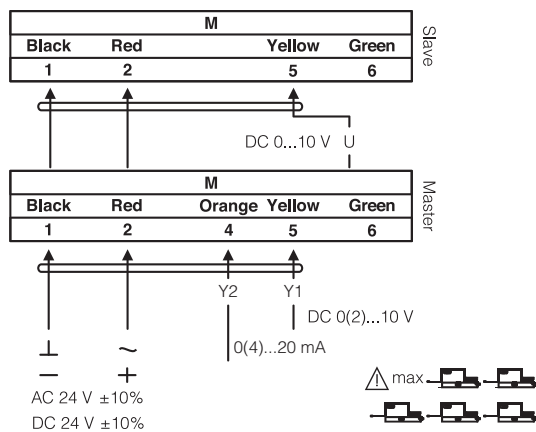
AUXILIARY SWITCH NEBM...10 (S1)

Switch is factory-set at 5°.

The auxiliary switch can be optimally adjusted between 0°...90°.



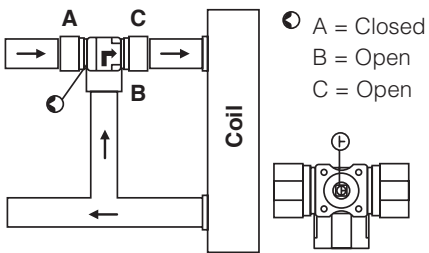
WIRING DIAGRAM NEBM...10 (S1) PARALLEL CONNECTION



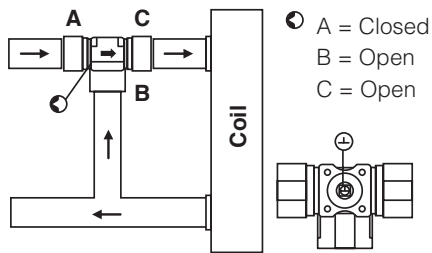
REMARK

Parallel connection of NEBM...10 (S) actuators are limited to 5. Power consumption must be observed.

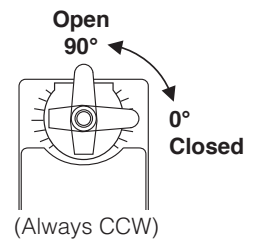
MIXING CLOSED



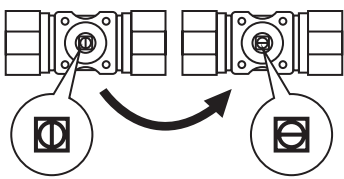
MIXING OPEN



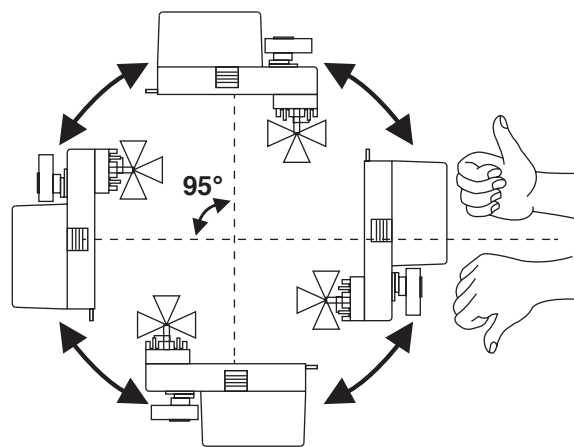
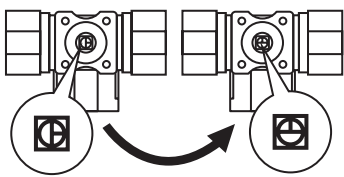
ACTUATOR POSITION



2-way Closed 2-way Open



3-way Closed 3-way Open



IMPORTANT REMARK

For special requirement, consult your local Nenutec's representative.



This actuator includes electrical and electronic components and may not be disposed as household garbage. Please consider the local valid legislation.



AC / DC 24 V: Connect via safety isolating transformer.
 AC 230 V: To isolate from the main power supply, the system must incorporate a device which disconnects the phase conductor (with at least a 3mm contact gap.)

The performance specifications are nominal and conform to acceptable industry standards. NENUTEC shall not be liable for damages resulting from misapplication or misuse of its products.