

NACM...02 SERIES

STANDARD DAMPER ACTUATOR MODULATING CONTROL



NACM...02 SERIES

NACM standard damper actuators are specially designed and produced for applications in the HVAC Systems. Our wide range of Nenutec standard damper actuators has been developed to operate and position air dampers of different sizes.

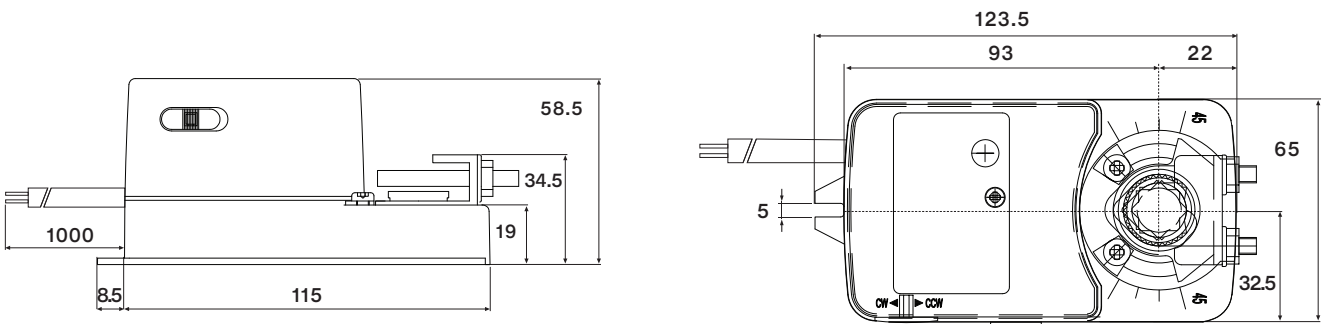
PRODUCT FEATURE

- Torque 2 Nm
- Damper size 0.4 m²
- Power supply AC/DC 24V
- Control modulating DC 0(2)...10 V
- Shaft dimensions - Ø 6...15 mm / □ 5...10 mm
- Minimum shaft length 40 mm
- Adjustable angle of rotation
- Selectable direction of rotation of reversing actuator
- Manual over-ride push button when required

MODEL SELECTION TABLE

MODEL / TYPE	TORQUE	POWER SUPPLY	RUNNING TIME	AUXILIARY SWITCH
NACM 1.2-02	2 Nm	AC/DC 24 V ± 10%	60...90 sec	-

DIMENSION (mm)



TECHNICAL SPECIFICATION

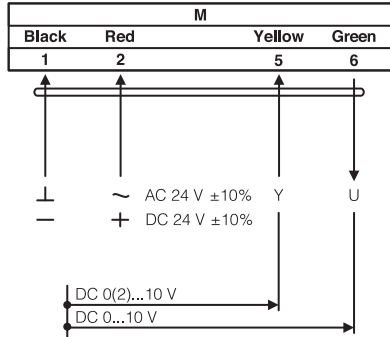
MODEL NUMBER	NACM 1.2-02
TORQUE	2 Nm
DAMPER SIZE	0.4 m ²
SHAFT DIMENSION	Ø 6...15 mm / □ 5...10 mm*
POWER SUPPLY	AC/DC 24 V ± 10%
FREQUENCY	50...60 Hz
CONTROL SIGNAL (INPUT)	DC 0(2)...10 V
POSITION SIGNAL (OUTPUT)	DC 0...10 V
POWER CONSUMPTION	
• OPERATING	3.0 W
• END POSITION	2.0 W
FOR WIRE SIZING	6.0 VA
ELECTRICAL CONNECTION	1 m Cable
AUXILIARY SWITCH RATING	2 (1.5) A, AC 250 V
PROTECTION CLASS	Class III ⚡
ANGLE OF ROTATION	90° (95° mechanical)
WEIGHT	0.55 Kg
LIFE CYCLE	60,000 Rotation
SOUND LEVEL	40 dB
IP PROTECTION	IP54
OPERATING TEMPERATURE	-20°...50° as per IEC 721-3-3
NON-OPERATING TEMPERATURE	-30°...+60° C / IEC 721-3-2
AMBIENT HUMIDITY	5%...95% rH non condensing / EN
MAINTENANCE	Maintenance Free
MODE OF OPERATION	Type I / EN 60730-1
EMC	CE & ISO 9000 EN / EEC

*Note that shaft dimension has a tolerance offset of ± 0.2mm.

NACM...02 SERIES

STANDARD DAMPER ACTUATOR MODULATING CONTROL

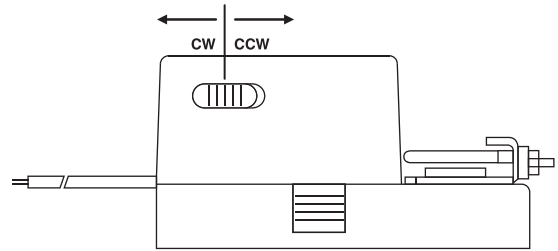
WIRING DIAGRAM NACM...02 POWER SUPPLY AC/DC 24V



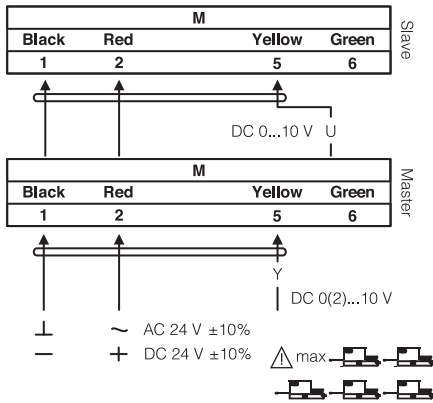
DIRECTION OF ROTATION NACM...02

Default factory setting: CW.

Direction of rotation can be changed by toggling between CW/CCW switch on the actuator's housing.



WIRING DIAGRAM NACM...02 PARALLEL CONNECTION



REMARK

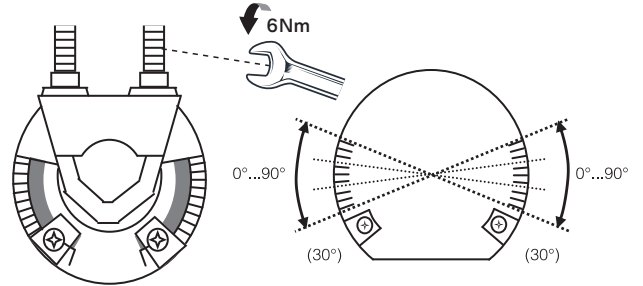
During parallel operation, the output signal (terminal 6, DC 0...10 V) of the master actuator must be connected to terminal 5 of the next slave actuator.

LIMITING ANGLE OF ROTATION NACM...02

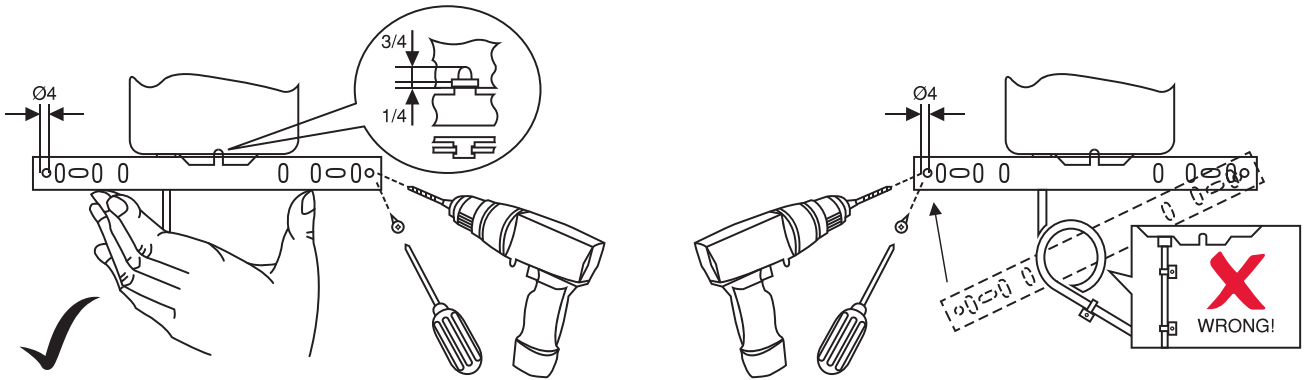
Adjustment of Mechanical Limiter

1. Loosen screw of mechanical limiter
2. Move limiter to appropriate position*
3. Tighten screw

*Working range of 90° can be reduced up to 30° from end position.



INSTALLATION / MOUNTING INSTRUCTION



IMPORTANT REMARK

For special requirement, consult your local Nenutec's representative.



This actuator includes electrical and electronic components and may not be disposed as household garbage. Please consider the local valid legislation.



AC / DC 24 V:
AC 230 V:

Connect via safety isolating transformer.

To isolate from the main power supply, the system must incorporate a device which disconnects the phase conductor (with at least a 3mm contact gap.)

The performance specifications are nominal and conform to acceptable industry standards. NENUTEC shall not be liable for damages resulting from misapplication or misuse of its products.